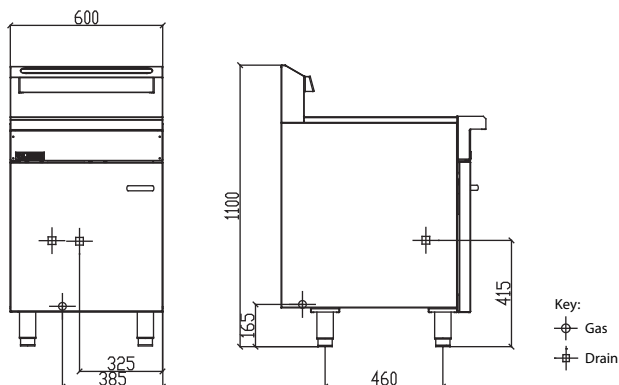


## Technical Specifications for FSV-60



### PROFESSIONAL

- Industry first single + double basket split pan design
- Volume production meets specialist frying in the one unit
- High performance burners and recovery rates
- Includes 2 x pilots, FFDs, piezos and high temp cutouts
- 45kg/h production rate
- 11 + 17.5 litre oil capacity
- Cabinet design with internal fryer controls & drains
- Supplied with 3 fryer baskets
- Modular Professional series design
- 24 month 'Platinum Warranty'
- Easy control/burner access for servicing



#### Split Pan Fryer

- 50MJ/h + 85MJ/h jet burners with pilot, FFD and piezo ignition
- Mechanically controlled thermostat
- Thermostat temperature range 100 - 200° C
- High temperature cut-out safety mechanism
- 1.5mm stainless steel stud weld efficient tank design
- 11 + 17.5 litre fry pot capacity
- Includes 3 stainless steel fryer baskets
- 0.9mm stainless steel perforated fish/base plate
- Tank drainage valves at bottom front of unit

#### Overall Construction

- Heavy duty construction
- 0.9mm 304 stainless steel double-skinned door
- High density Fiberfrax Durablanket insulation around tank
- Welded 1.2mm 304 stainless steel front hob
- Front panels 0.9mm 304 stainless steel
- Side panels 1.2mm 304 stainless steel
- Splashback 1.2 mm 304 stainless steel
- Includes stainless steel legs with 55mm adjustable range

#### Dimensions

- 600mm x 800mm x 1100mm H
- Working height 900mm
- Weight 110kg
- Packed dimensions 640mm x 860mm x 1260mm H
- Packed weight 130kg

#### Connections

- Gas 3/4" BSP male
- Gas 385mm from right, 55mm from rear, 165mm from floor
- In-built gas regulator (specify Nat or LP on order)
- Drains 1 1/4" BSP male, 170mm from left and 325mm from right, 200mm from front, 415mm from floor

#### Cleaning & Servicing

- Easy access to all parts & components from front
- Open pot easy-to-clean design
- Rear basket support bar
- Removable baskets and inserts

#### Options/Accessories

- Additional fryer baskets
- Joining caps
- RH and LH side shields
- Rear castors

Model	Description	Nat Gas	LP Gas
FSV-60	3 basket split pan fryer	135 MJ/h	135 MJ/h