

# DRO 810mm Duck Oven



## Technical Specifications for DRO-810



- Ideal for roasting duck, pork, and other meats
- 12 duck capacity using hanging rail
- Easy top access via lift-off lid
- External temperature gauge
- Waste release valve and overflow pipe
- High temperature cut-off safety feature
- Durable Zinc-aluminum Alloy burner handle
- 1.2mm 201 stainless steel body
- 24 month 'Platinum Warranty'
- Easy to clean and service

### Roaster

- 83mj cast iron nozzle burner with pilot & FFD
- 12 duck capacity using hang rail
- External temperature gauge
- Convenient burner/servicing access via door
- Zinc-aluminium Alloy burner handle
- Waste release ball valve
- Overflow pipe built into bottom of unit
- High temperature cut-off safety feature

### Overall Construction

- Heavy duty 4 piece assembly
- 1.2mm 201 stainless steel lid with handle
- 1.2mm 201 stainless steel panels
- Assembled with fixed position legs
- Double skin construction for improved performance and safety

### Dimensions

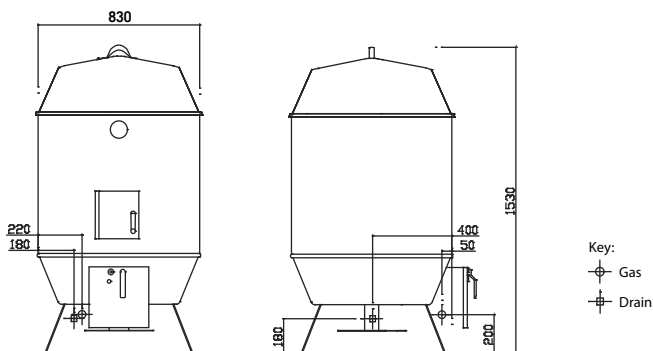
- ID 810mm OD 830mm H 1530mm
- Weight 42kg
- Packed dimensions 940mm x 860mm x 1470mm H
- Packed weight 69kg

### Connections

- Gas 3/4" BSP male
- Gas 220mm from left, 50mm from front, 200mm from floor
- Supplied with gas regulator (specify Nat or LP on order)
- Drain 1" BSP female
- Drain 180mm from left, 400mm from front, 180mm floor

### Cleaning & Servicing

- Easy access to all parts & components from front



	Model	Description	Nat Gas	LP Gas
⊖	DRO-810	Single roasting burner	83 mj	83 mj

