

800 SERIES (BENCHTOP)

RADIANT CHAR GRILLS



**300mm Char Grill
AT80G3C-C**



**600mm Char Grill
AT80G6C-C**



**900mm Char Grill
AT80G9C-C**



2 YEARS WARRANTY ON ALL PARTS AND LABOUR
EXTRA 2 YEARS WARRANTY ON PARTS
WHEN YOU REGISTER WITH US ONLINE

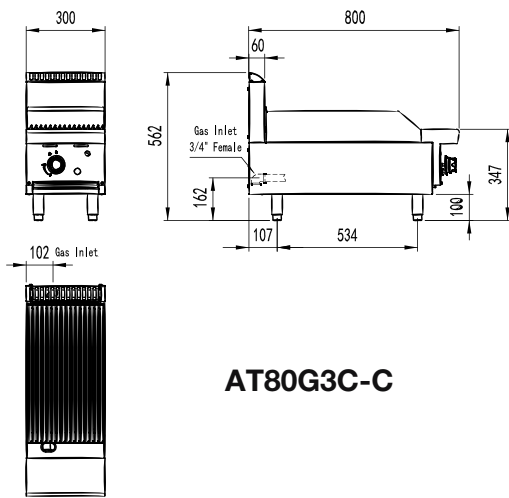
* All prices are EX-GST



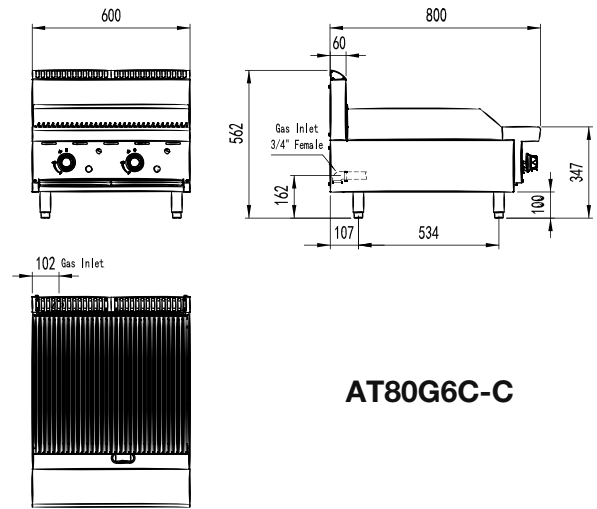
AUSTRALIA AND NEW ZEALAND
GAS SAFETY CERTIFICATION
SAI-400248 AS 4563:2004 SAI Global

800 SERIES (BENCHTOP)

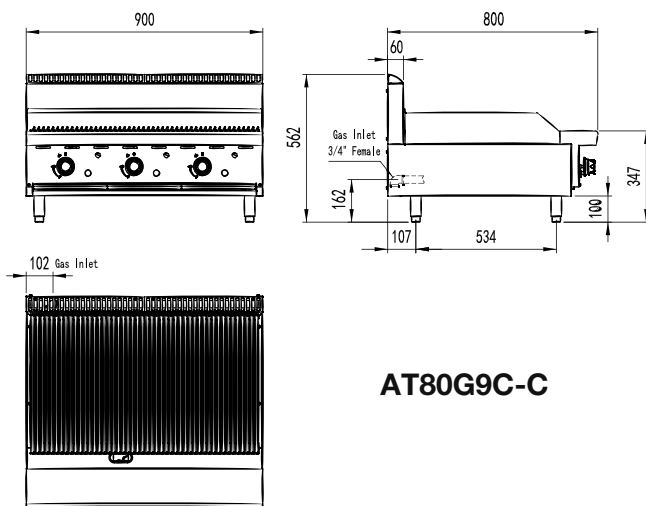
RADIANT CHAR GRILLS



AT80G3C-C



AT80G6C-C



AT80G9C-C

AT80G3C-C-NG/LPG

AT80G6C-C-NG/LPG

Gas Type	NG/LPG	NG/LPG
Gas Output per Burner Mj/h	NG: 26.5 / LPG:24	NG: 26.5 / LPG:24
Total Power Output Mj/h	NG: 26.5 / LPG:24	NG: 53 / LPG:48
Dimensions(mm)	W300 x D800 x H562, 41kg	W600 x D800 x H562, 69kg
Packaging Dimensions(mm)	W395 x D875 x H640, 56.4kg	W695 x D875 x H640, 94.2kg

AT80G9C-C-NG/LPG

Gas Type	NG/LPG
Gas Output per Burner Mj/h	NG: 26.5 / LPG:24
Total Power Output Mj/h	NG: 79.5 / LPG:72
Dimensions(mm)	W900 x D800 x H562, 98kg
Packaging Dimensions(mm)	W995 x D875 x H640, 128kg

When placing your order, please indicate the gas type (NG or LPG) by adding it to the end of the product code e.g. "-NG"

* All prices are EX-GST