

# Gas Restaurant Ranges

## Operating Instructions

Before you begin, please read these instructions carefully to use this product correctly, to make the product perform ideally, and to avoid hazards.

**Models: AT80G4B-O/ AT80G6B-O / AT80G8B-O/ AT80G2B-F/**

**AT80G2B-C/ AT80G4B-F/ AT80G4B-C/ AT80G6B-F/**

**AT80G6B-C/ AT80G8B-F/ AT80G8B-C**

Dear customers and users :

Thank you for purchasing our products. In order to be able to better use this product, please read these instructions carefully before any operation, and follow the guide, to avoid any unnecessary trouble during using.

Please keep this instruction manual in a safe place for convenient reference and operation.

This instruction manual is subject to any change without further notice, and the manufacturer reserves the right of final interpretation.

The appliance is designed for commercial purposes, not for household use.

**DANGER**

If you smell gas:

- Shut off gas to the appliance.
- Extinguish any open flame.
- If odor continues, keep away from the appliance and immediately call your gas supplier or your fire department.

**FOR YOUR SAFETY**

Do not store or use gasoline or other flammable vapors or liquids in the vicinity of this or any other appliance.

**WARNING:** Improper installation, adjustment, alteration, service or maintenance can cause property damage, injury or death. Read the installation, operating and maintenance instructions thoroughly before installing or servicing this equipment.

**Gas Restaurant Ranges**

**The Installation, Operation and Maintenance Guide**

**Contents**

1. Safety Protection .....3

2. Brief Introduction.....3

3. Manufacturer's Authority and Responsibility.....3

4. Parameter Specifications.....4

5. Transport and Storage.....12

6. Installation and Debugging .....12

7. Safety Notices and Precautions.....15

8. Operating Instructions..... 16

9. Cleaning and Maintenance .....21

10. Troubleshooting .....23

11. Schematic Diagram for Installation of Chimney.....24

12. Installation diagram of supporting bracket.....25

**Error! Bookmark not defined.**

## 1、 Safety Protection

⚠ Please make sure that the operator is an authorized and licensed technician before you allow him/her to install and operate the products. Be sure to strictly follow this instruction guide during installation and using. The manufacturer is not responsible for any dangers or accidents caused by improper operation or maintenance.

⚠ Do not store flammable or explosive objects around the product. Keep all flammable and explosive objects at a safe distance away from the product for normal use.

⚠ Place the product in a reasonable position. Regarding related matters of gas, customer should execute the requirements of local gas supply sector;

⚠ If you smell a gas leak, turn off the gas valves immediately and call the gas company;

⚠ The product should not be operated by those under 18 years of age, or those with physical or mental disorders, or disabilities that lack the necessary knowledge or experience unless with appropriate instructions and sufficient safety.

## 2、 Brief Instruction

Such product is the gas restaurant ranges connected with oven and hot plate manufactured by us. The product is in novel design, reasonable structure, durable and easy to operate and maintain. The hot plate include a cast-iron burner, and the oven include high efficiency stainless steel tubular burners. The hot plate and the oven are equipped with a flame-out protection device, to ensure the user' s safety in use. The oven allows for constant temperature control and the user can adjust the required temperature as required. It is an ideal cooking appliance in the industry of hotel, supermarket, western restaurant, fast food restaurant and food.

## 3、 Manufacture' s Authority and Responsibility

Banning of all or partial transformation to the products without the manufacturer's explicit authorization.

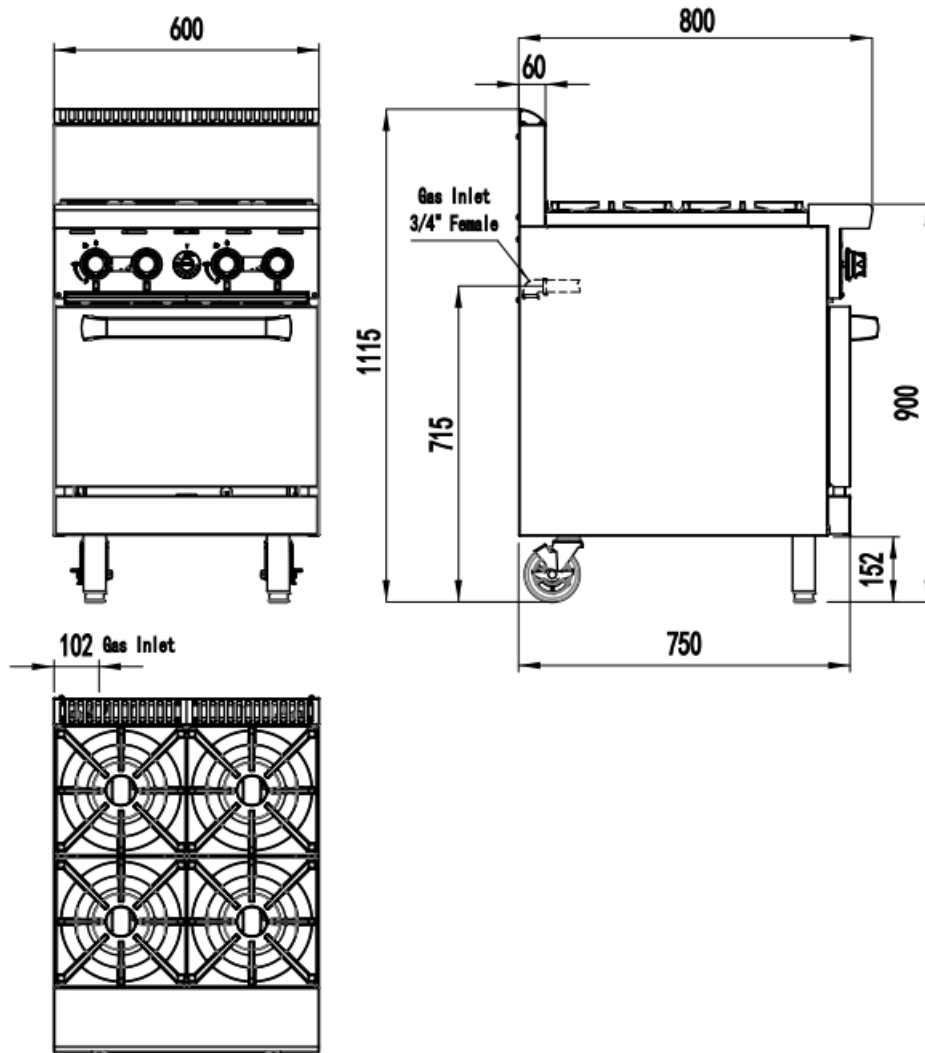
Manufacturers refused to undertake responsibility to third parties as the following reasons:

- ⚠ Not follow this instruction guidance and warning in in using and testing;
- ⚠ Not in accordance with the requirements of technical parameters using this product;
- ⚠ Incorrectly or irrationally using the product by untrained personnel;
- ⚠ Not obey the local law using this product;
- ⚠ Be repaired or changed by unauthorized technicians;
- ⚠ Use the spare parts or accessories provided by non-manufacturers;
- ⚠ Accidents caused by force majeure;
- ⚠ Not strictly comply with related guide of this instruction by any reason.

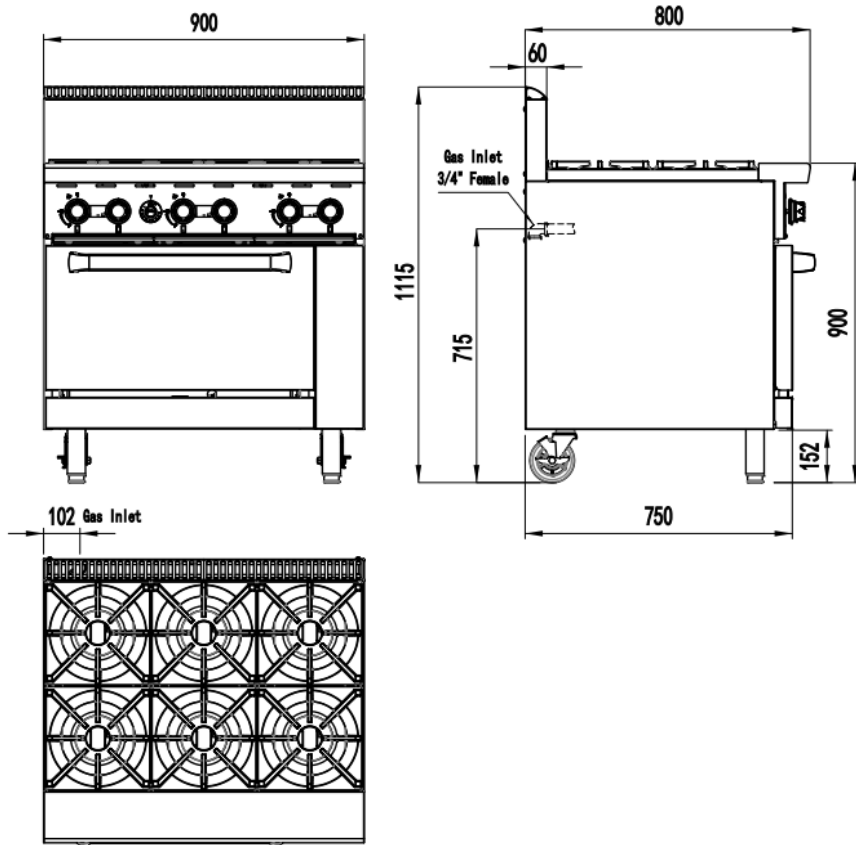
## 4、Parameter Specifications

### 4.1、Outline Dimensions(mm)

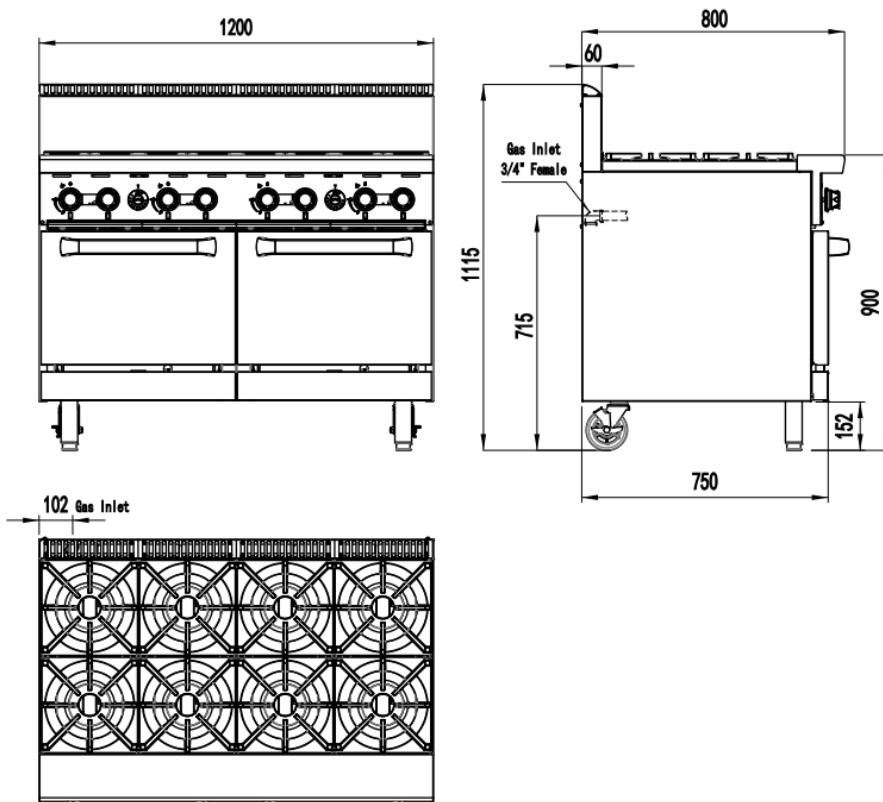
AT80G4B-0



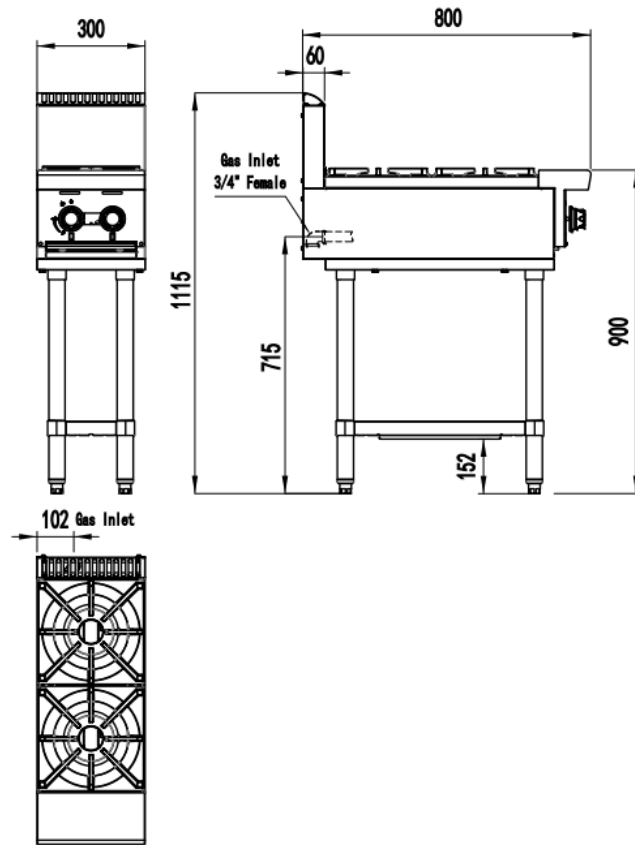
AT80G6B-0



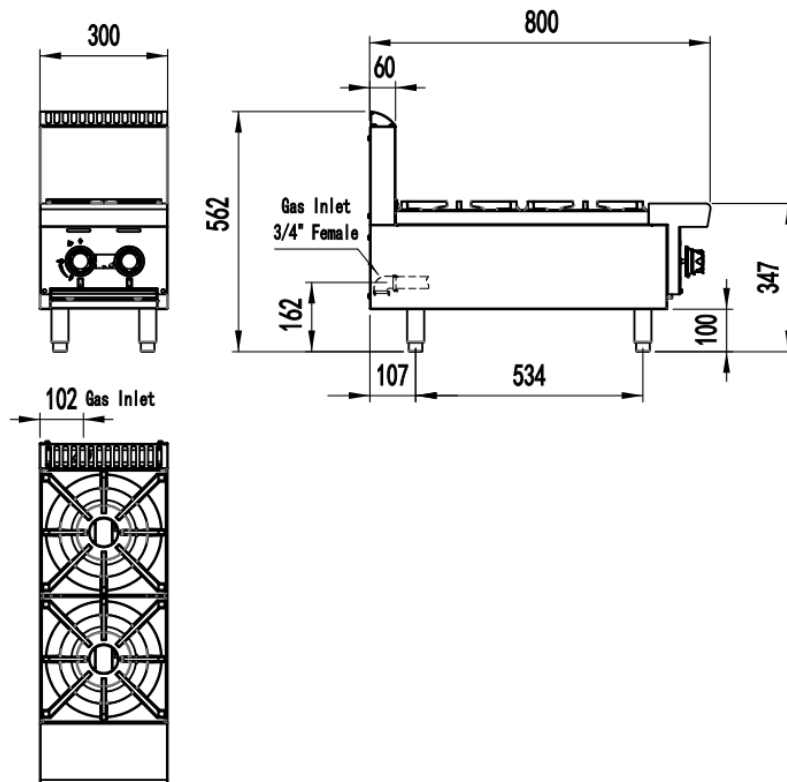
AT80G8B-0



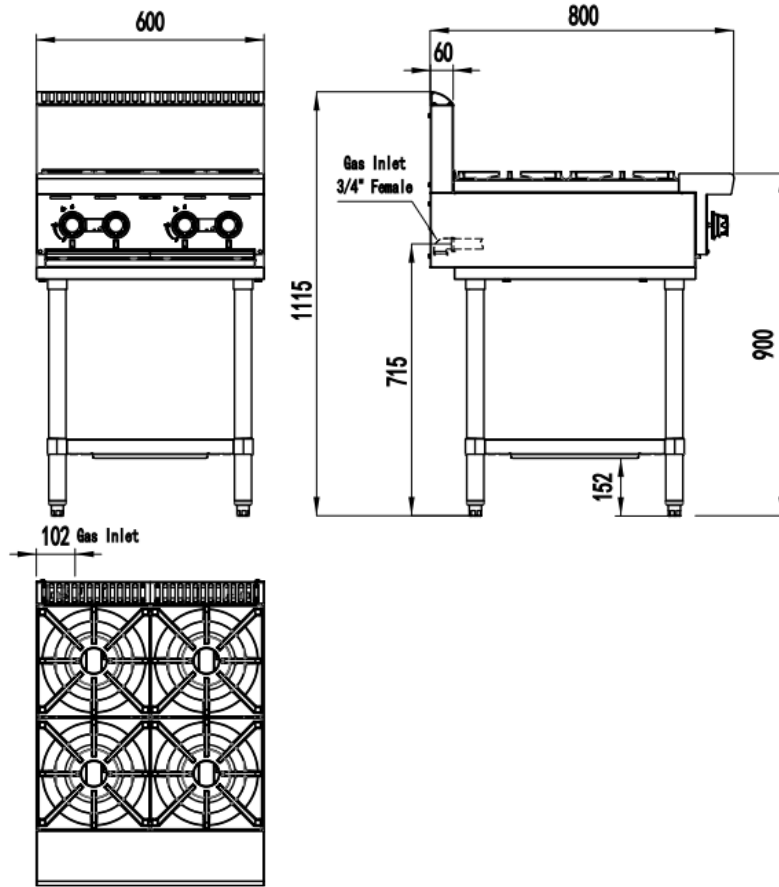
AT80G2B-F



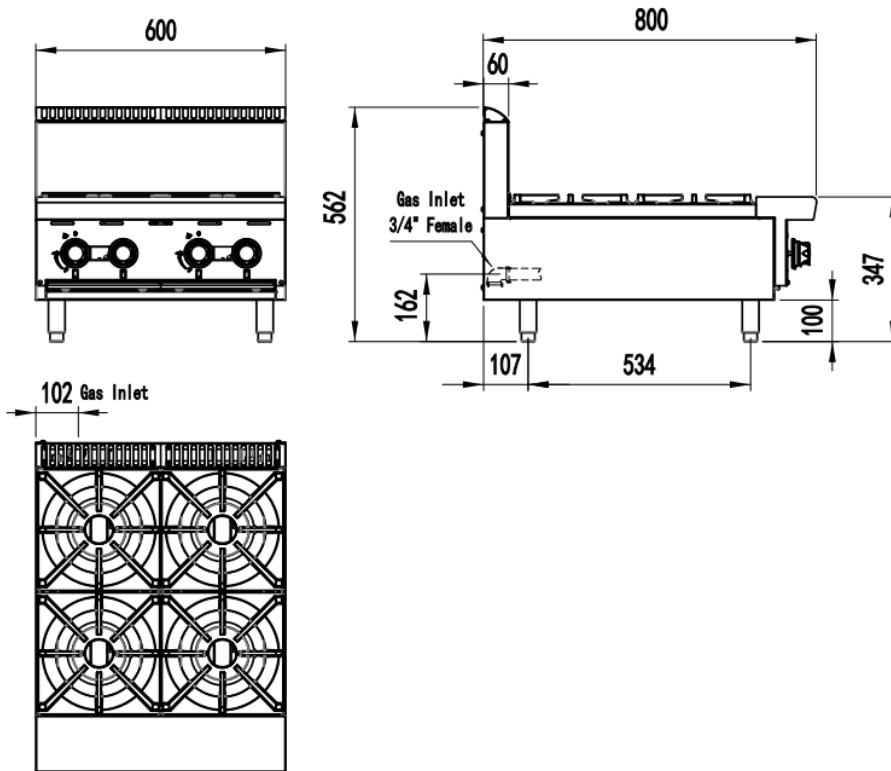
AT80G2B-C



AT80G4B-F

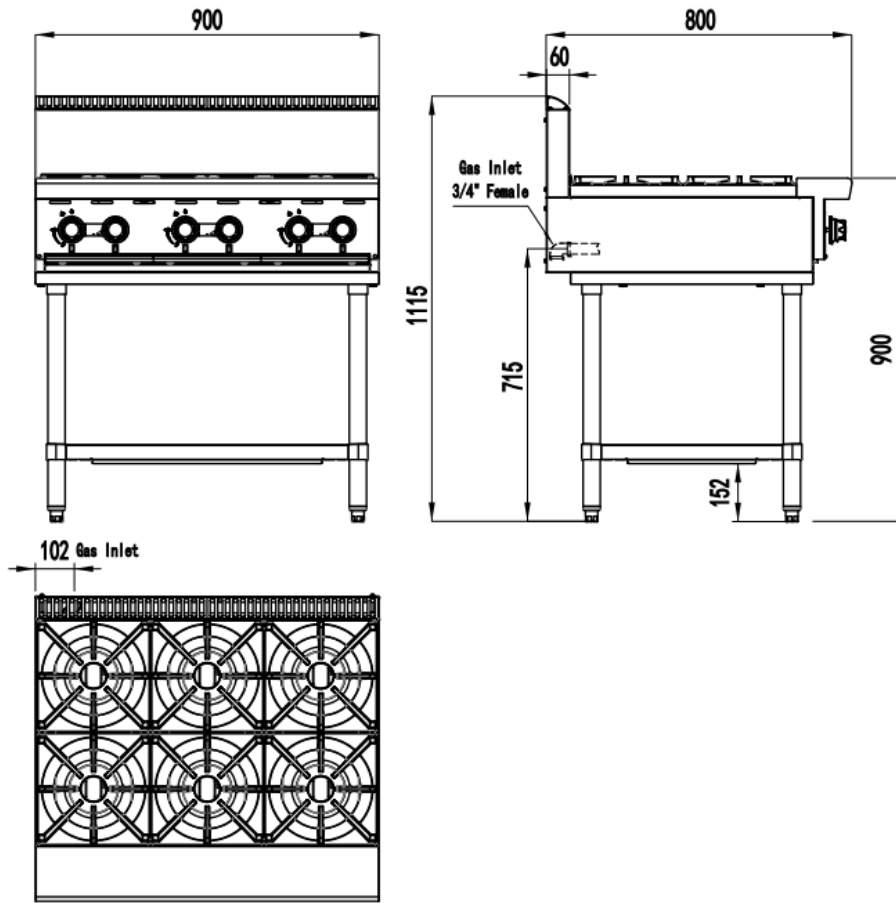


AT80G4B-C

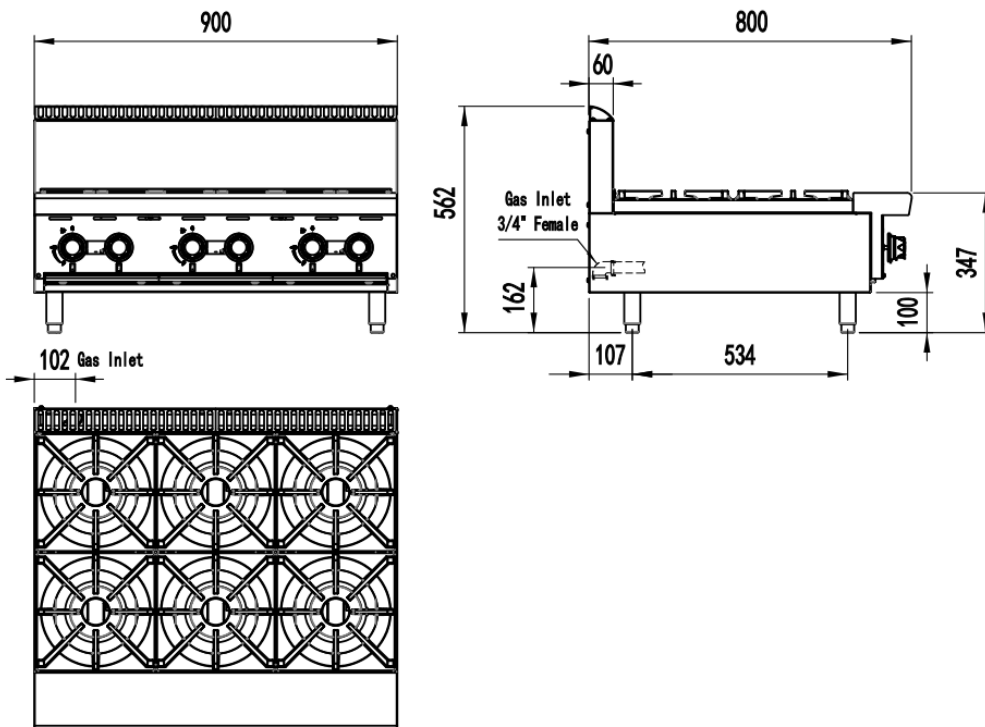




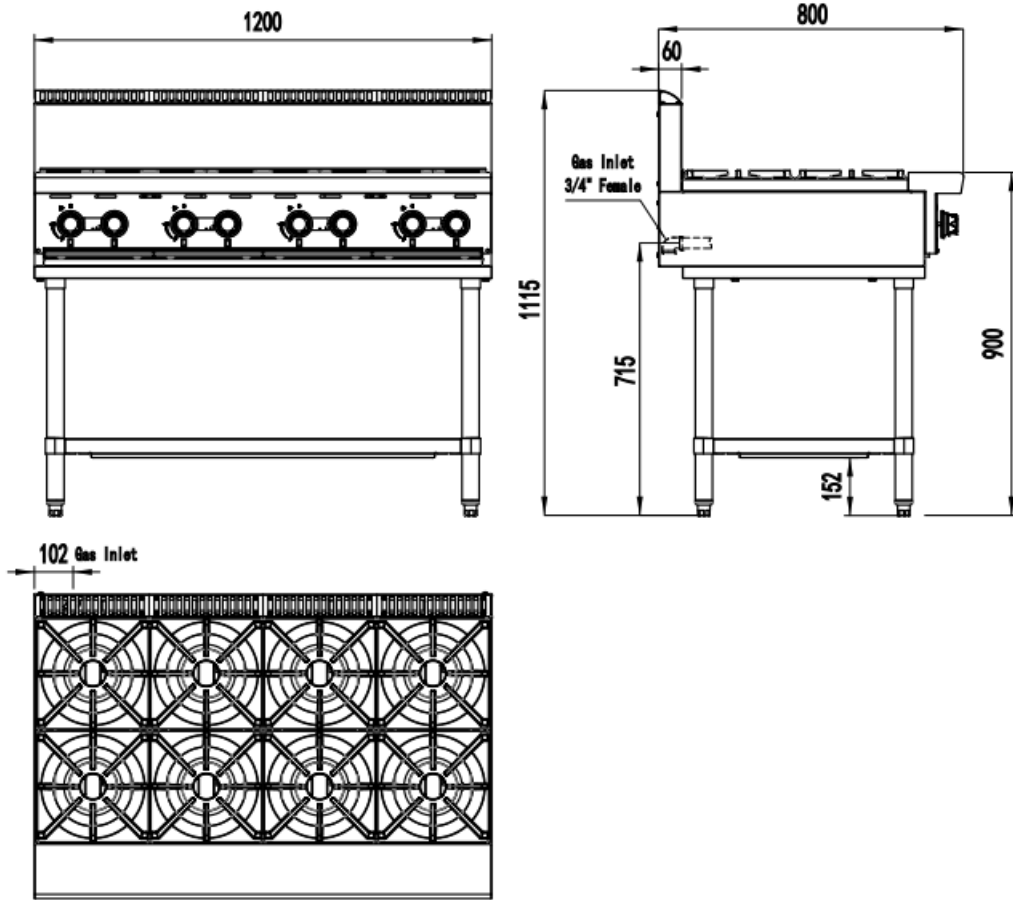
AT80G6B-F



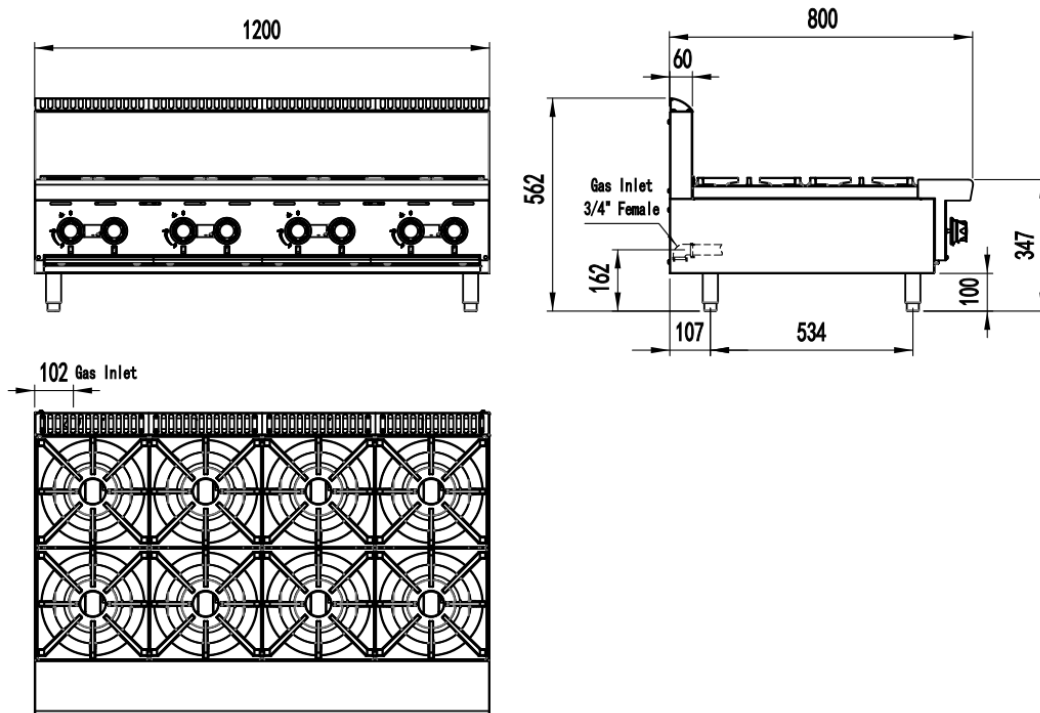
AT80G6B-C



AT80G8B-F



AT80G8B-C



#### 4.2 : Size and package parameter information

<Table 1>

Model	Overall dimensions L x W x H	Packing size L x W x H	Oven dimensions L x W x H	Number of oven
AT80G4B-0	600*800*1115	685*995*1025	508*610*330	1
AT80G6B-0	900*800*1115	985*995*1025	673*610*330	1
AT80G8B-0	1200*800*1115	1285*995*1025	508*610*330	2
AT80G2B-F	300*800*1115	395*875*640		
AT80G2B-C	300*800*562	395*875*515		
AT80G4B-F	600*800*1115	695*875*640		
AT80G4B-C	600*800*562	695*875*515		
AT80G6B-F	900*800*1115	995*875*640		
AT80G6B-C	900*800*562	995*875*515		
AT80G8B-F	1200*800*1115	1295*875*640		
AT80G8B-C	1200*800*562	1295*875*515		

#### 4.3 : Information of Gas Supply and Burner

The minimum supplied gas pressure regulator is factory set at 1.13kPa for Natural Gas and 2.75kPa for L.P. Gas. The thread of product's intake-tube is 3/4" BSP Female.

<Table 2>

Model	Gas Species and Intake manifold pressure (kPa)		Nozzle No. (mm)		Per rate (MJ/h)		Number of burners		Total rate (MJ/h)
			Hot plates	Oven	Hot plates	Oven	Hot plates	Oven	
AT80G4B-0	Natural Gas	1.0	2.40	2.55	28	26	4	1	138
	Propane	2.5	1.40	1.45					
	ULPG	2.5							
AT80G6B-0	Natural Gas	1.0	2.40	2.85	28	29	6	1	197
	Propane	2.5	1.40	1.60					
	ULPG	2.5							

Model	Gas Species and Intake manifold pressure (kPa)		Nozzle No. (mm)		Per rate (MJ/h)		Number of burners		Total rate (MJ/h)
			Hot plates	Oven	Hot plates	Oven	Hot plates	Oven	
AT80G8B-0	Natural Gas	1.0	2.40	2.55	28	26	8	2	276
	Propane	2.5	1.40	1.45					
	ULPG	2.5							
AT80G2B-F AT80G2B-C	Natural Gas	1.0	2.40		28		2		56
	Propane	2.5	1.40						
	ULPG	2.5							
AT80G4B-F AT80G4B-C	Natural Gas	1.0	2.40		28		4		112
	Propane	2.5	1.40						
	ULPG	2.5							
AT80G6B-F AT80G6B-C	Natural Gas	1.0	2.40		28		6		168
	Propane	2.5	1.40						
	ULPG	2.5							
AT80G8B-F AT80G8B-C	Natural Gas	1.0	2.40		28		8		224
	Propane	2.5	1.40						
	ULPG	2.5							

### Gas Connection:

**NOTE: ALL GAS FITTING MUST ONLY BE CARRIED OUT BY AN AUTHORISED PERSON.**

⚠ The product do not require an electrical connection, as they function totally on the gas supply only.

⚠ It is essential that the gas supply is correct for the appliance to be installed and that adequate supply pressure and volume are available. The following checks should therefore be made before installation:

⚠ Gas Type required for the appliance is shown in the rating label. Check

that this is correct for the gas supply the appliance is being installed for. The gas conversion procedure is detailed in this manual.

⚠ Supply Pressure required for this appliance is shown in the 'Gas supply requirements' section of this manual. Check the gas supply to ensure adequate supply pressure exists.

⚠ Input Rate of this appliance is stated on the Rating label .The input rate should be checked against the available gas supply line capacity. Particular note should be taken if the appliance is being added to an existing installation.

NOTE: It is important that adequately sized piping runs directly to the connection joint on the appliance with as few tees and elbows as possible to give maximum supply volume.

NOTE: Ensure the regulator is converted to the correct gas type that the appliance will operate on. The regulator outlet pressure is fixed ex-factory for the gas type .

1. Correctly locate the appliance into its final operating position and using a spirit level, adjust the legs so that the unit is level and at the correct height.
2. Connect the gas supply to the appliance through the regulator. A suitable jointing compound which resists the breakdown action of propane must be used on every gas line connection, unless compression fittings are used.
3. Check all gas connections for leakages.
4. Check that the gas operating pressure.
5. Turn off the mains gas supply and bleed the gas out of the appliance gas lines.
6. Turn on the gas supply and the appliance.

Verify the operating pressure remains correct

## 5. Transport and Storage

In the process of transportation, handle carefully and keep upright to prevent damage of the product packing. Wrapped equipment should not be in open air for a long time, and shall be placed in a well-ventilated and non-corrosive gases warehouse. When equipment needs temporary storage, rainproof measures should be taken.

## 6. Installation and Debugging

⚠ Any erroneous installation, adjustment, refit, overhaul or maintenance may cause property damage or personal injury. The work shall be performed by authorized and licensed technicians, otherwise the manufacturer has the right not to provide warranty service;

⚠ **Only be installed in accordance with AS/NZS 5601, the local gas, electricity and other relevant codes.**

#### 6.1、Unpacking and Installation

⚠ Please dispose of all packaging materials and residues after unpacking;

⚠ Check the equipment. If it is damaged, please keep wrappers and receipts which must be signed by the carrier representative (Driver), and contact the carriers to pursue a claim within 15 days after receiving;

⚠ Be sure to install supporting legs before using, and do not tear up any label or logo before normal using;

⚠ Please read these instructions carefully before installation and operation. Please contact your local agent if you have any questions;

⚠ Such stove shall be installed on the horizontal, solid, anti-skidding and incombustible floor, and at the water-proof working area with sufficient light and far away from the children and customers;

⚠ The installation position is a well-ventilated place in accordance with the local regulations;

⚠ The charbroiled must be installed under the matched cooking fume exhauster according to the local regulations;

⚠ **Important: Installation and ventilation laws, and codes are very different, you should state and comply with all codes of the local competent departments when it comes to requirements for installation of equipment;**

⚠ Adjustable legs and castors or floor frame in the tapping hole with four corners of the charbroiled bottom, ensure sufficient space for ventilation;

⚠ Adjustable stainless steel legs to make the equipment level, and get the same level with other series of the same stove; Please lift the equipment rather than drag if you need to move it;

⚠ Please refer to P24 “11. Schematic Diagram for Installation of Chimney” for the installation methods of Chimney.

⚠ Supplied gas pressure regulator is factory set at 1.0kPa for Natural Gas and 2.5kPa for L.P. Gas;

⚠ The equipment can only be placed on the noncombustible floor, and keep a distance of at least 6 inches(152mm) to equipment’ s both sides 、 back, and keep a distance of at least 39.4 inches(1000mm) to the top;

⚠ Do not put anything around the equipment, and on the counter top and bottom, in order to avoid influencing combustion and air circulation;

⚠ Leave enough distance in front of the equipment to take apart the control panel. All major parts, in addition to the burner remove from the front intake-tube;

⚠ It may be necessary to adjust the balance of air input by authorized and licensed technicians;

⚠ Thread glue must be resistant to the action of liquefied petroleum gases.

⚠ **Warning! Use soap water or testing instrument to test whether piping joint leaks or not before using, and forbid using an open flame to test!**

⚠ After installing completely, you should check gas supply pressure. Use a pressure gauge which is equipped with liquid (such as U-type pressure gauge, the minimum value is 0.1mbar) or a digital pressure gauge to test. Steps are as following:

- Remove top panel, and needle type pressure joint screw arbor (Fig.1), then slip rubber tube of pressure gauge over needle type pressure joint;
- Start the equipment in accordance with the instructions, measuring gas supply pressure (dynamic pressure) in the work state;
- Access to the equipment if measured data within the limits of Table 2, otherwise, you will need to adjust gas pressure regulating valve or contact gas supplier to bargain;
- Unplug pressure gauge after you accomplish pressure testing, then install needle type pressure joint screw arbor. **Important: must screw joint screw arbor,**

**to prevent gas escape!**

⚠ Ensure the pressure and no leaks of the appliance, Check the appliance shall operate normally without flame lift or light back.

## 6.2 Debugging

It's very important to debug the new stove. Through the comprehensive system test of equipment, we can ensure function and safety performance of products. Discovering any potential problems before use (such as equipment's placement, ventilation, operation, etc), can avoid costly losses.

It is necessary to check the machine daily.

Check the machine regularly can avoid serious accident happens.

Stop using if user feels that there are some problems in the circuit or machine.

Check the situation of the machine before or after using every day.

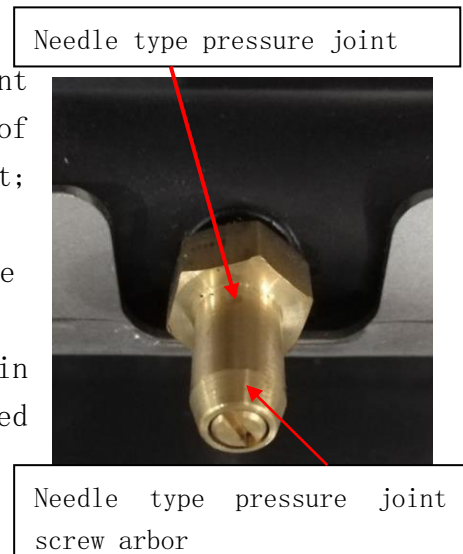


Figure 1

Before using: Whether the machine is tilted?  
Whether the control panel is damaged?

During using: Whether there is strange odor or vibration noise?  
Whether the burner flame is normal? Any light back or flameout?  
Whether the power is normal?  
If any of this case occurs, stop using and turn off gas supply, contact the supplier or service department.

## 7. Safety Notices and Precautions

⚠ **Warning!** For your safety, do not place petrol and other flammables nearby. Please keep clean and free of flammables surroundings.

⚠ **Warning!** Any erroneous installation, adjustment and refit may cause property damage or personal injury and maintenance failure. Read the instructions carefully before installation and using.

⚠ **Warning!** Operation instruction must be placed in a conspicuous location. When customers smell gas in the process of using, should take safety precautions immediately. Immediately turn off the main gas valve, extinguish all heat and flames, and call 911. Safety information can be obtained from your local gas suppliers.

⚠ **DO NOT SPRAY AEROSOLS IN THE VICINITY OF THIS APPLIANCE WHILE IT IS IN OPERATION.**

**When using this equipment, safety precautions should always be followed, including the following:**

⚠ The grates of the Hot plates, stove frame and external surface will still be scalding after being used. You must take care when touching these positions;

⚠ Do not directly touch the grates and stove frame when the gas restaurant ranges is operating;

⚠ Turn off the equipment as repairing, maintaining and cleaning;

⚠ If the equipment has any problems of equipment damage, gas piping leaks, igniter or valves damage, or lose product accessories, do not operate, and call for the service immediately;

⚠ The use of attachments not recommended or sold by the manufacturer may



cause fire, personal injury or even death;

⚠ Do not use out of doors;

⚠ Such appliance is used to cook and bake the food and shall not be used for other purposes;

⚠ The equipment does not contain any user-serviceable parts. Dealers or technicians will repair it. Do not take apart any spare parts without authorization;

⚠ Never change any other parts without authorization to this equipment, otherwise, may cause hazards, and the manufacturer has the right not to provide warranty service;

⚠ Steel cutting producers used to manufacture with sharp edges. The manufacturer has dealt with these sharp edges during production, however, we insist the operator take care when in contact with this piece of equipment;

⚠ Always keep hands, hair and clothing away from heating source.

⚠ Wait the unit cools down before cleaning. Because the unit is too hot to handle after using.

## 8. Operating Instructions

⚠ Before operating, make sure to place the unit horizontally by adjusting bottom adjustable legs, and place the catch tray properly.

⚠ To ensure that the air flow in the bottom of the equipment.

⚠ Do not use fan or air-conditioning blowing at the flame, in order to avoid extinguishing flame and cause safety accidents;


⚠ Must be installed the matched exhaust hood according to the local regulations above the equipment.

⚠ To ensure that the air in the kitchen is kept in circulation.

⚠ The pilot light has been set at the factory. Each burner has a pilot light.

### 8.1 Lighting the fire (hot plates)

①、Align the control valve knob on the "0" position (Fig.2), so that the valve is closed.

②、And then axial press the front air valve knob, left 30 degrees, to the fire position  (Fig.3).

③、At the fire position, completely press the knob, meanwhile light the fire by pilot with another hand. Keep pressing the knob about 10-15 seconds, and observe stability of fire.

④、If the fire is not lit, please repeat the above steps until the fire is ignited.

Tip : The pilot light may not be lighted immediately, for existing gas

in the pipe. Wait a minute, the pilot light will be lighted after the gas extinguished.

## 8.2 Igniting the main burner (hot plates)

Revolve the main fire control valve knob anticlockwise after lighting the pilot light, and then the main fire burner is ignited by the pilot light. When knob reaches to " 🔥 " (90 degrees), burner is in the maximum power (Fig.4). Once again axial press the knob and revolve it anticlockwise, the power of burner reduces gradually with the rotation angle increases. When knob is rotated 150 degrees to " 🔥 ", burner is working with a minimum power (Fig.5).

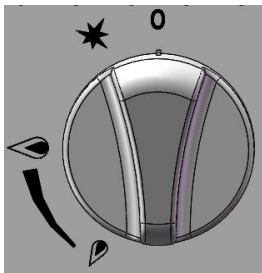


Figure 2

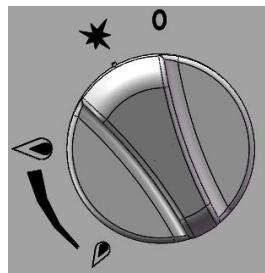


Figure 3

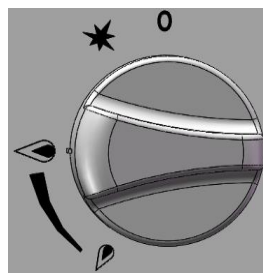


Figure 4

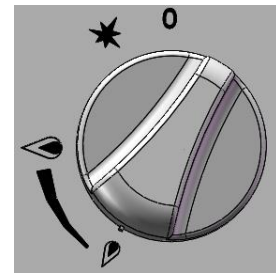


Figure 5

## 8.3 Lighting the pilot (oven)

①、Align the OFF indicative line of thermostat valve knob to the arrow (Figure 6) to close the valve.

②、Open the underside panel of oven (figure 7), thoroughly press the thermostat valve knob to the bottom, and turn it anticlockwise till it reaches " ★ " (figure 8), and press the button of the piezo igniter with another hand simultaneously



Figure 6

( figure 9). There is electric spark between pilot and fire needle. If the fire is not lit, please repeat this action until the fire is ignited, and observe stability of fire.

(If it is the first time to light up the oven, it may take longer time for the gas to flow to the pilot)



Figure 7



Figure 8



Figure 9

Tip : The pilot light may not be lighted immediately, for existing gas in the pipe. Wait a minute, the pilot light will be lighted after the gas extinguished.

#### 8.4 Igniting the main burner (oven)

After the pilot was ignited, the main fire valve was opened , and turn the thermostat valve knob to the required temperature position, At this moment, the oven burner is ignited. When reaching the set temperature, the thermostat valve will automatically adjust the gas flow to keep the temperature in the oven constant.

#### 8.5 Turn off the valve

##### 1、 Hot plates

- ①When the control knob is rotated to the fire position ★ (Fig.3), the main fire burner flame is extinguished, but the pilot light will continue to work.
- ②Axial press the knob to rotate knob clockwise continually, so that the direction of the knob on the "0" position, at this time, the fire extinguished, the valve closed. (Figure.2)

##### 2、 Oven

- ①When the control knob is rotated to the pilot position ★ (Fig.8), the main fire burner flame is extinguished, but the pilot light will continue to work.
- ②Axial press the thermostat valve knob to rotate knob clockwise continually, Align the OFF indicative line of thermostat valve knob to the arrow (Figure.6) to close the valve, at this time, the fire extinguished, the valve closed.

After turn off the equipment, the main fire should be stop more than 5 minutes before next use.

## 8.6 Stove Operation

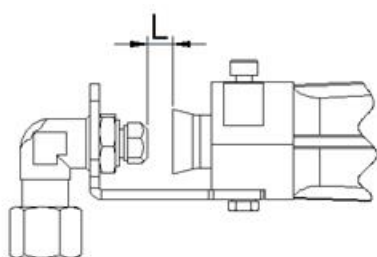
Before using the stove for the first time, please use a mild detergent to wipe it clean. Do not use corrosive or abrasives detergent.

Turn the burners on about 15-20 minutes before broiling for preheating, according to the cooking requirement to adjust the flame size.

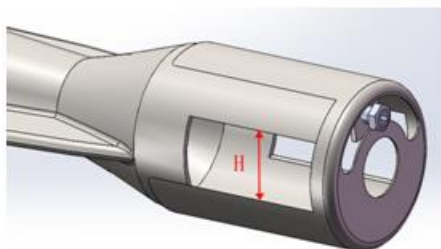
**Notice:** When first preheating, the furnace will smoke above. This is caused by protective lipids on the grates and other parts are heated, it is normal, and it will be eliminated after the power up to the maximum for burning an hour.

## 8.7 Adjust air input

① Hot plates : Remove the cooking grates and cover, adjust an appropriate distance to the need, then tighten the damper fastening screws, to ensure the equipment will not get loose in the process of moving and translation. Reinstall burner and the cooking grates.



Hot plates



Oven

Natural Gas	L=8mm
Propane	L=8mm
ULPG	L=8mm
Natural Gas	H=12mm
Propane	H=12mm
ULPG	H=12mm

②: Oven: Open the underside panel of oven (figure 7), loosen the fastening screws of damper (figure 10) and rotate the damper horizontally (figure 11). Meanwhile, observe the flame. Adjust the damper to the appropriate opening angle. Then, tighten the fastening screw bolt of damper to guarantee the appliance does not get loose. At last, reinstall the

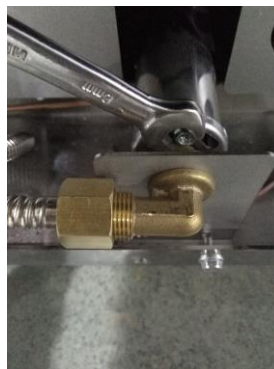


Figure 10



Figure 11

underside face plate of oven.

**Caution:** Each burner damper has been adjusted before delivery (once air input), Normal use without adjustment but only switching gas. Adjust only by authorized and licensed technicians.

### 8.8 Exchange main fire nozzle to switch gas source

① Hot plates : Remove the cooking grates and cover, and remove the main fire nozzle with a wrench, exchange the other gas of the main fire nozzle, then drop lock it (Fig.12). Reinstall cover and the cooking grates.

②: Oven: Remove the door, stove base plate, radiant panel, open the underside panel of oven, remove the screw at the end of burner, and then remove main fire nozzle with a wrench, exchange the other gas of the main fire nozzle (Fig. 13) .Then tighten the wrench. And then install back the radiant panel, the stove base plate, the door and install the underside panel of oven.

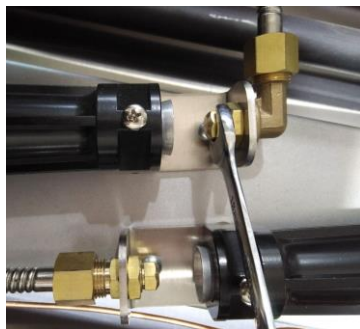


Fig. 13



Fig. 14



Fig. 15

Fig. 12

**Caution:** Each main fire nozzle of the burner has been installed before

delivery, normal use without adjustment but only switching gas. Adjust only by authorized and licensed technicians. When you change the gas source, you need exchange the corresponding pressure maintaining valve which installed on air intake. See 3&4 in P25.

⚠ When exchange gas source, adjust the adjusting screw (figure. 14、 15) with a wrench to meet the normal requirements of pilot light flame.

NOTICE: Each fire seat has been adjusted before delivery, normal use without adjustment and exchange. Only replace it when converse gas source, and operate by qualified professionals.

## 9. Cleaning and Maintenance

⚠ Do not use any abrasive or flammable detergent to wipe;

⚠ Do not hose down, immerse or pressure wash any part of the cooker, excluding the catch tray;

⚠ Do not use abrasive cleaning matters to wash, even not use corrosive detergent!

⚠ Warning: Before cleaning, all control valves must be turned off. Strictly follow the lighting instructions to work again after cleaning!

⚠ Warning: Wait for the equipment to cool down after the unit has been turned off before you clean!

⚠ Cut off the gas source when not in use;

⚠ If the equipment is not used for a long time, clean the surface by wiping it with a soft cloth and place it in a well-ventilated area;

⚠ Comprehensively check the equipment at least once every year by authorized and licensed technicians;

⚠ The product is made of 90% metals, and can not be discarded everywhere. Deal with it in accordance with the local codes.

⚠ Instructions to clean appliance regularly with recommended cleaning agents, if necessary.

## Recommended cleaning methods

Table3

Items	Methods	Times
Body	Wipe it with a soft cloth and mild detergent;	daily
Control panel	Turn off valves when not in use; Wipe panel and control valve knob with mild detergent.	daily
Catch tray	Pull out catch tray from front body until the equipment cools down. Use a cloth with cleaning agent to wipe unit surface, wipe up residue. Reinstall after cleaning. Warning: if the catch tray is permitted to fill too high, should be cleaned!	Per use
Oven	After the appliance is cooled, open the oven door to take out the net rack, and use the clean duster cloth to dip detergent to clean the grease and other rubbish debris. After cleaning up, reinstall the net rack to the original position. Take care when taking out the net rack and cleaning the internal part of stove, for fear to damage the enamel coating of oven inner wall.	Per use

## 10. Troubleshooting

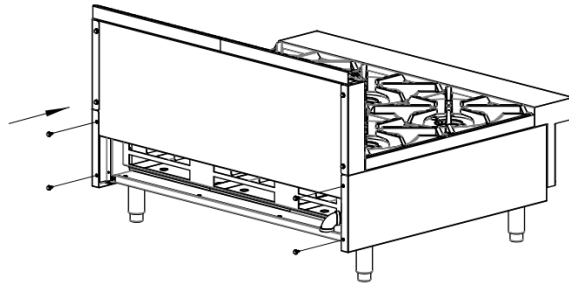
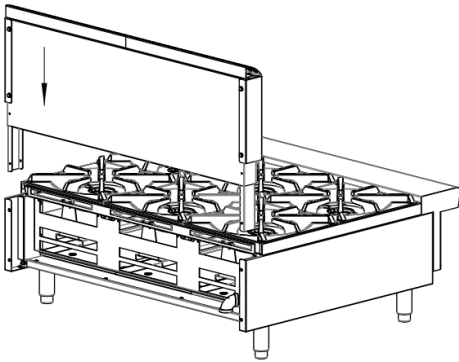
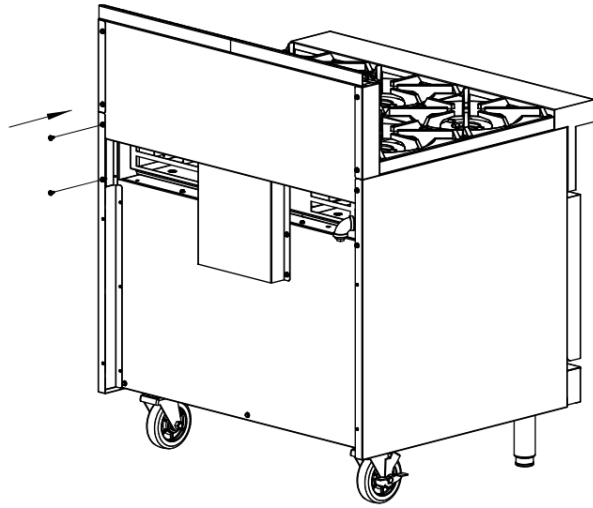
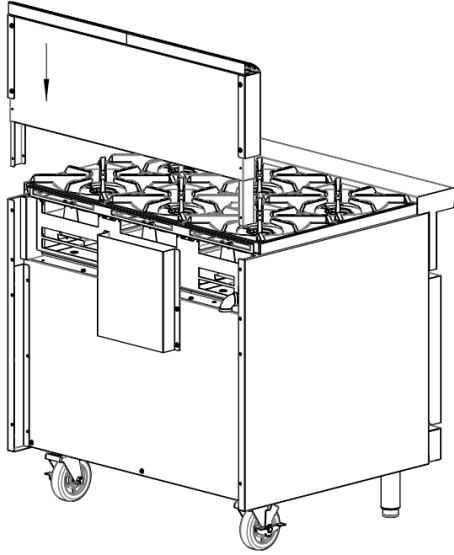
Table 4

Problems	Possible causes	Problem solving
Not lighting	1. Insufficient gas pressure in pipe	1. Contact the local gas supply dept.
	2. Nozzle occlusion	2. Dredge nozzle
Ignite the pilot light but not the main fire	1. Insufficient gas pressure in pipe	1. Contact the local gas supply dept.
	2. The main fire nozzle occlusion	2. Dredge nozzle
	3. Gas control valves have problems	3. Change gas control valves
	4. The pilot light and the main fire's distance is too far	4. Adjust the distance of them
	5. Flame is too low	5. Adjust the height of the pilot light
Close gas and heard a sound of fire	1. Insufficient gas pressure in pipe	1. Contact the local gas supply dept.
	2. Not match nozzle aperture with gas resources	2. Adjust nozzle diameter
	3. Flow of connection pipe is not enough	3. Increase pipe's allowable flow
	4. Damper opening degree is too large	4. Adjust damper
Yellow flame and black smoke	1. Use bottom gas	1. Change gas
	2. Not match nozzle aperture with gas resources	2. Adjust nozzle diameter
	3. Not enough air to ignite	3. Increase damper opening degree
	4. In the peak of using gas, sources of gas float heavy	4. Turn down valves flow. Turn it up after the peak

The problems mentioned above are only for reference. If any fault occurs, please stop using, and contact technicians to check and repair. Safety first, turn off the power and gas supply before maintenance.



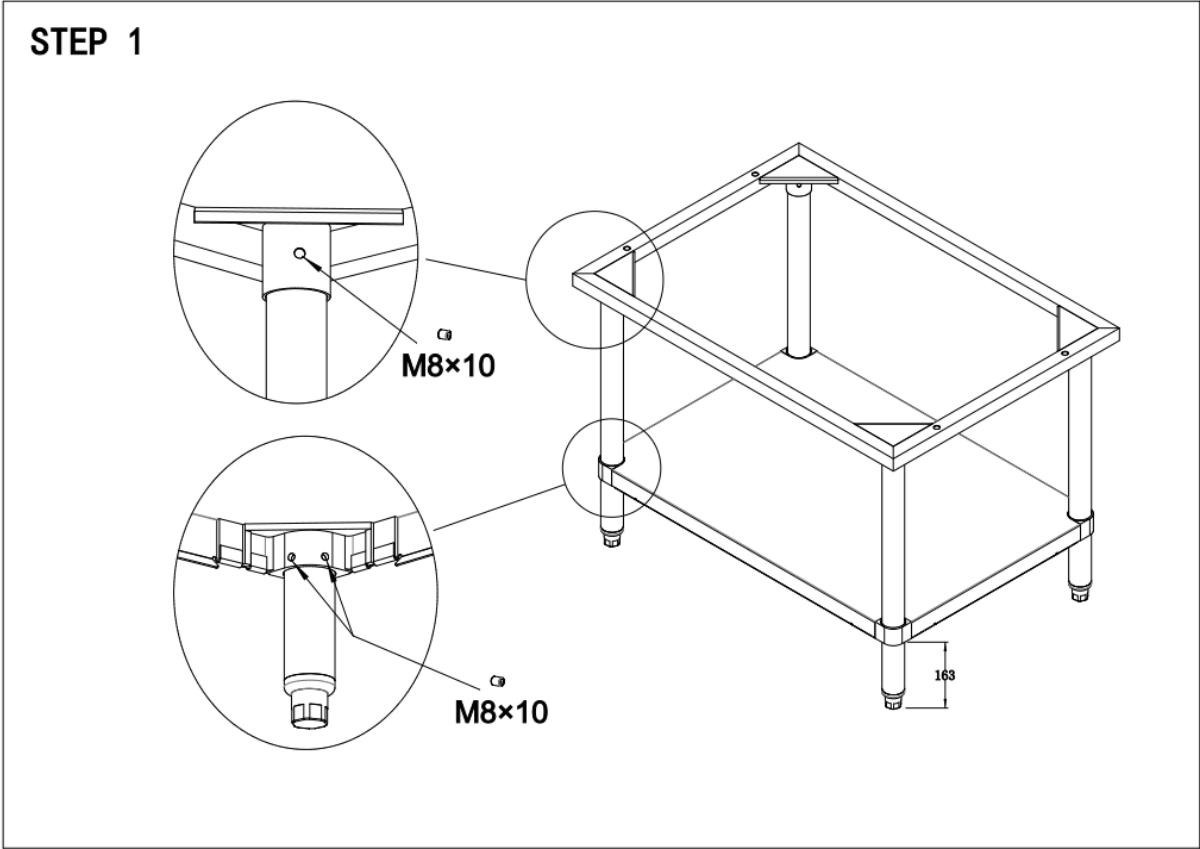
## 11. Schematic diagram for installation of the chimney



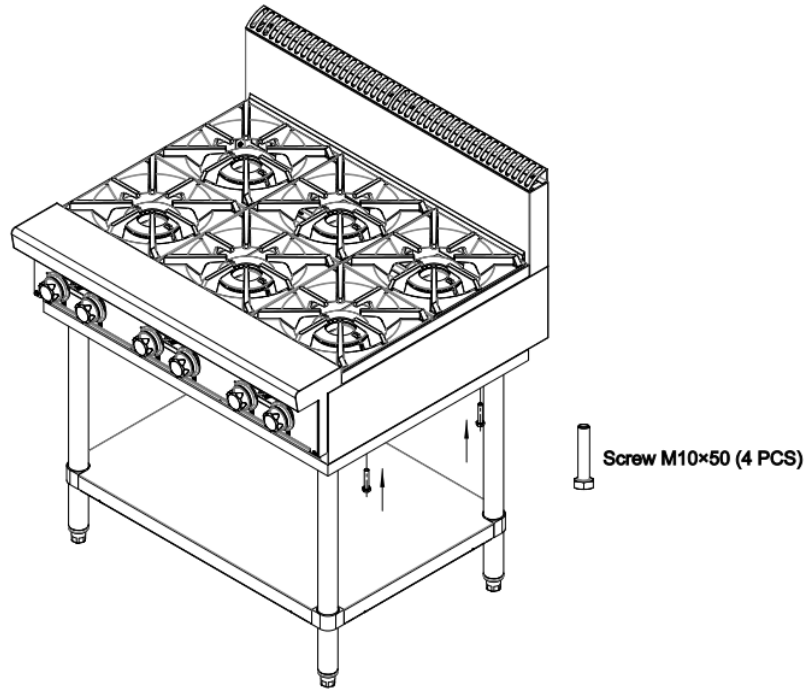
Step I  
( Insert the chimney into  
the corresponding position  
of stove body)

Step II  
(Fix the chimney with the  
stove body by self-tapping  
screw)

12. Installation diagram of supporting bracket



## STEP 2



### Notice:

- 1、 Pressure maintaining valve connects with air intake, must be installed by authorized and licensed technicians, to ensure interface tightness.
- 2、 When the regulator is connected, the maximum load value of natural gas can not exceed 1.13kPa, the maximum value of liquefied gas can not exceed 2.75kPa.
- 3、 Screw the hex nut (Fig. 16) before connect air intake, ensure gas mark (Fig. 17) on the plastic core match with connected gas source, if not, then pull out the plastic core and change another head, insert it again. The same as exchanging gas source.
- 4、 The nozzle in the accessories used in the replacement of the gas resource. Follow rules of 8.8.



Figure 16

Figure 17

Our products have the advantages of good durability and low maintenance charge. But to update some components and necessary maintenance, can prolong life length of the products. Contact the dealer for assistance.

For service and spare part inquiry, please contact following  
Atosa Catering Equipment Australia Pty Ltd  
3-9 Forge Street, Blacktown, Sydney  
TEL: 1800 886 888