

# CONVECTION OVEN PRIMA

MANUFACTURING  
SINCE 1966



**Model: COA1003**



## FEATURES

- Stainless Steel exterior and interior
- Rounded interior corners and removable shelf runners ensure ease of cleaning
- The oven is fan assisted and fitted with a custom designed baffle plate. This ensures that excellent temperature distribution is achieved providing a reliable baking uniformity and a product which is perfectly baked on both sides making it superior to static ovens
- Interior Lights
- A bake timer is also included to automatically switch off after a preset period
- Interior light is fitted as a standard feature
- Operating temperature: 50°C - 300°C
- New Single cam hinge design with fewer wearing parts
- Modern style glass door
- Easily removable inner glass for cleaning
- Modern style full width glass door

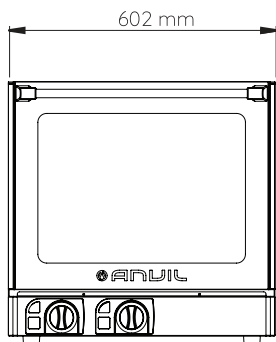
### NOTE:

- 4 x Chrome Grids
- Timer Function Included



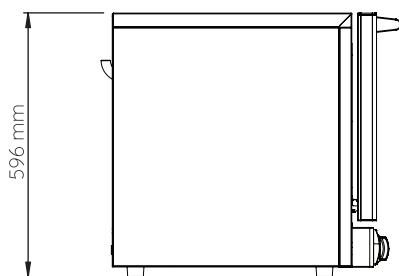
**ALL ANVIL EQUIPMENT COMES WITH A TWO YEAR WARRANTY ON COMPONENTS AND DEFECTIVE WORKMANSHIP.**

[www.anvilworld.com](http://www.anvilworld.com)

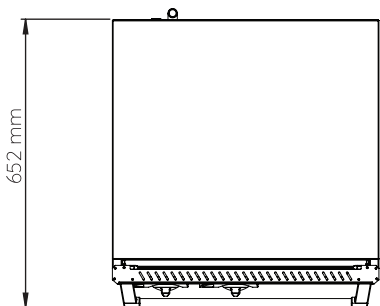
**Model: COA1003**

**SPECIFICATIONS**

POWER	2.4kW
VOLTAGE	230V - 50Hz
PACKAGING (W x D x H)	660 x 690 x 630 (mm)
UNIT (W x D x H)	602 x 652 x 596 (mm)
CHAMBER DIMENSIONS	470 x 330 x 350 (mm)
NET WEIGHT	34.2kg
GROSS WEIGHT	36kg
SHIPPING VOLUME	0.29m <sup>3</sup>
RUNNER SPACE	40 - 70mm
FAN	2 Fans

AVAILABLE IN

 120V/60Hz

**OPTIONAL EXTRAS**
**TRAYS**

CODE	DESCRIPTION
COA2004	Solid Tray
COA0010	Baking Tray - Perforated
COA2003	Shelf


**NOTE**

- When viewing the appliance from the front in its usual operating position, the width (W) of the product is the total distance from left to right; the depth (D) of the product is the total distance from the front to the back; the height (H) is the total distance from the bottom of the product to the top. Pictures may vary from actual product.

**DISCLAIMER**

- Output performance figures quoted are dependant on various factors. Anvil reserves the right, without notice, to make changes and revisions to product specifications, materials and design, when we believe it will provide better performance, durability, and efficiency. Unit measurements may vary depending on point of reference.



**ALL ANVIL EQUIPMENT COMES WITH A TWO YEAR WARRANTY ON COMPONENTS AND DEFECTIVE WORKMANSHIP.**

[www.anvilworld.com](http://www.anvilworld.com)