

PROOFING CABINET

MANUFACTURING
SINCE 1966



Model: POA0001



FEATURES

- Complements selected Anvil convection ovens
- Ideal for smaller bakeries and canteens producing fresh bread, buns or pastries.
- Double glass doors for space saving and viewing
- Sturdy top to place oven on
- Accommodates 9 baking trays 600 x 400mm
- Six heat settings for versatile proofing
- Manually filled water tray

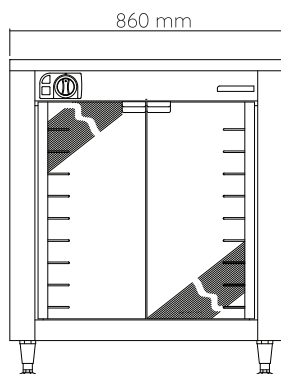
NOTE:

- Trays sold separately



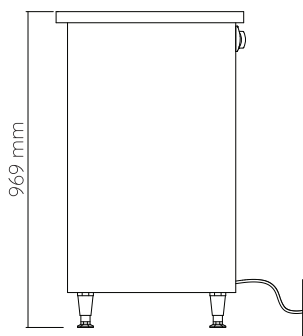
ALL ANVIL EQUIPMENT COMES WITH A TWO YEAR WARRANTY ON COMPONENTS AND DEFECTIVE WORKMANSHIP.

www.anvilworld.com

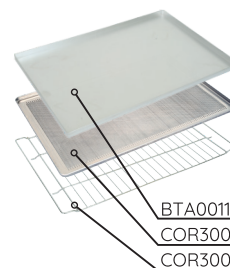
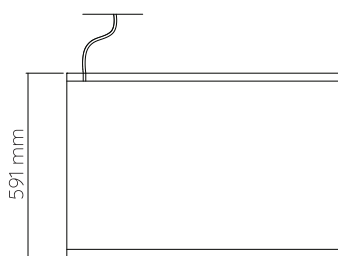
Model: POA0001

SPECIFICATIONS

POWER	0.75kW
VOLTAGE	230V - 50Hz
PACKAGING (W x D x H)	970 x 700 x 970 (mm)
UNIT (W x D x H)	860 x 591 x 969 (mm)
CHAMBER DIMENSIONS	650 x 510 x 695 (mm)
NET WEIGHT	42kg
GROSS WEIGHT	49.6kg
SHIPPING VOLUME	0.66m ³
RUNNER SPACE	70mm

AVAILABLE IN

 120V/60Hz

OPTIONAL EXTRAS
TRAYS

CODE	DESCRIPTION
COR3001	Chrome Grid
COR3003	Baking Tray - Perforated
BTA0011	Baking Tray - Aluminum


NOTE

- When viewing the appliance from the front in its usual operating position, the width (W) of the product is the total distance from left to right; the depth (D) of the product is the total distance from the front to the back; the height (H) is the total distance from the bottom of the product to the top. Pictures may vary from actual product.

DISCLAIMER

- Output performance figures quoted are dependant on various factors. Anvil reserves the right, without notice, to make changes and revisions to product specifications, materials and design, when we believe it will provide better performance, durability, and efficiency. Unit measurements may vary depending on point of reference.



ALL ANVIL EQUIPMENT COMES WITH A TWO YEAR WARRANTY ON COMPONENTS AND DEFECTIVE WORKMANSHIP.

www.anvilworld.com