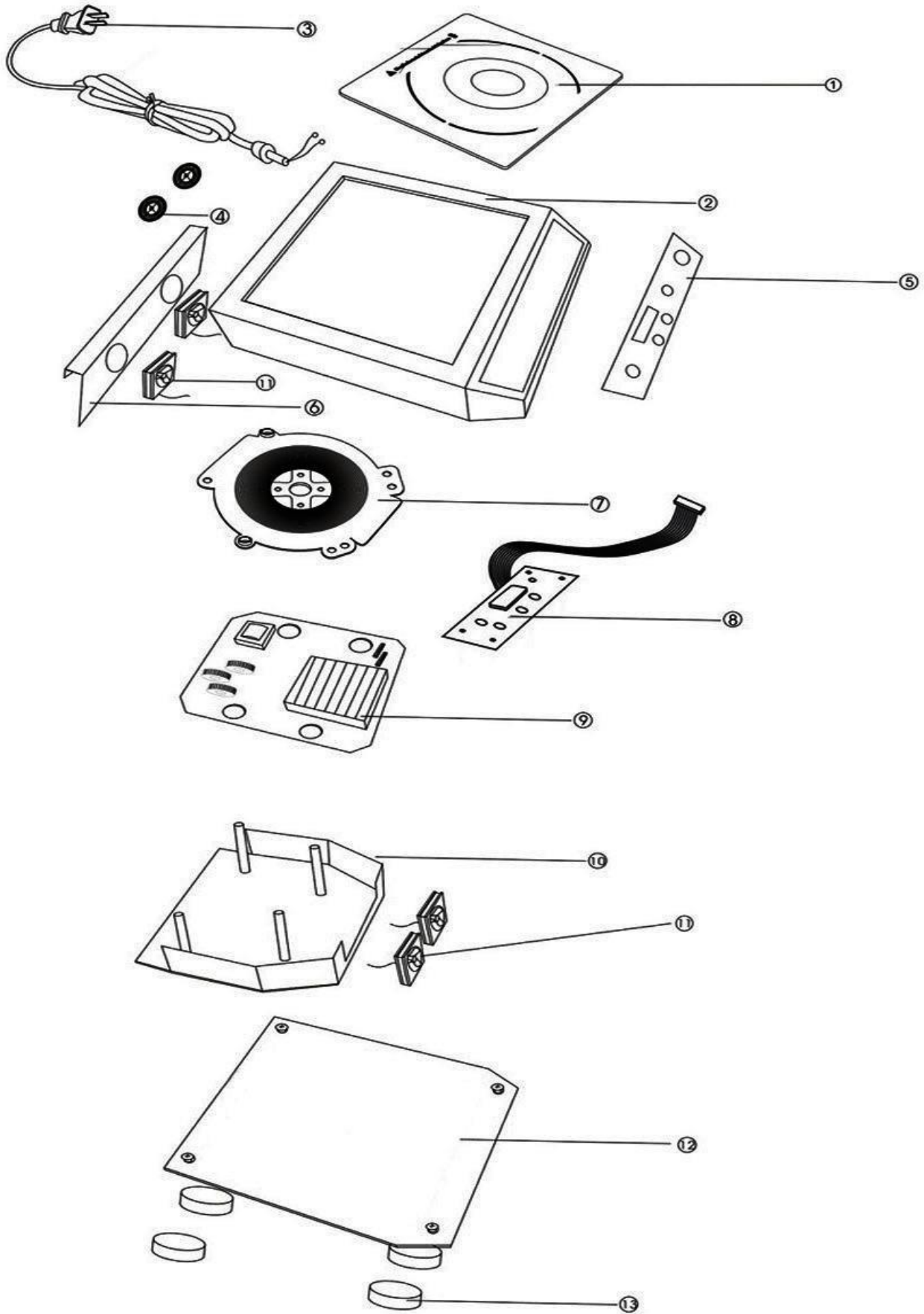


# ICK3500 Diagram Induction Cooker



# ICK3500 Spare Parts

| Part No. of Diagram | KARMA NO.       | Description                    |
|---------------------|-----------------|--------------------------------|
| 1                   | Z-IC350BBT-001A | Schott Glass Germany made      |
| 2                   | Z-IC350BBT-002  | Stainless Steel Body           |
| 3                   | Z-IC350BBT-003  | Plug Cord                      |
| 4                   | Z-IC350BBT-004  | Fan Cover                      |
| 5                   | Z-IC350BBT-005  | Control Panel Sticker          |
| 6                   | Z-IC350BBT-006  | Crashworthy Board              |
| 7                   | Z-IC350BBT-007  | Coil                           |
| 8                   | Z-IC350BBT-008  | Control Panel Board            |
| 9                   | Z-IC350BBT-009A | Mainboard (New-2013T2)         |
| 10                  | Z-IC350BBT-010  | Insulating Plastic             |
| 11                  | Z-IC350BBT-011  | Fan                            |
| 12                  | Z-IC350BBT-012  | Base Plate                     |
| 13                  | Z-IC350BBT-013  | Foot                           |
| -                   | Z-IC350BBT-A01  | Sensor                         |
| -                   | Z-IC350BBT-A02  | Button Cap                     |
| -                   | Z-IC350BBT-A03  | Support Pillar Of Facial Panel |