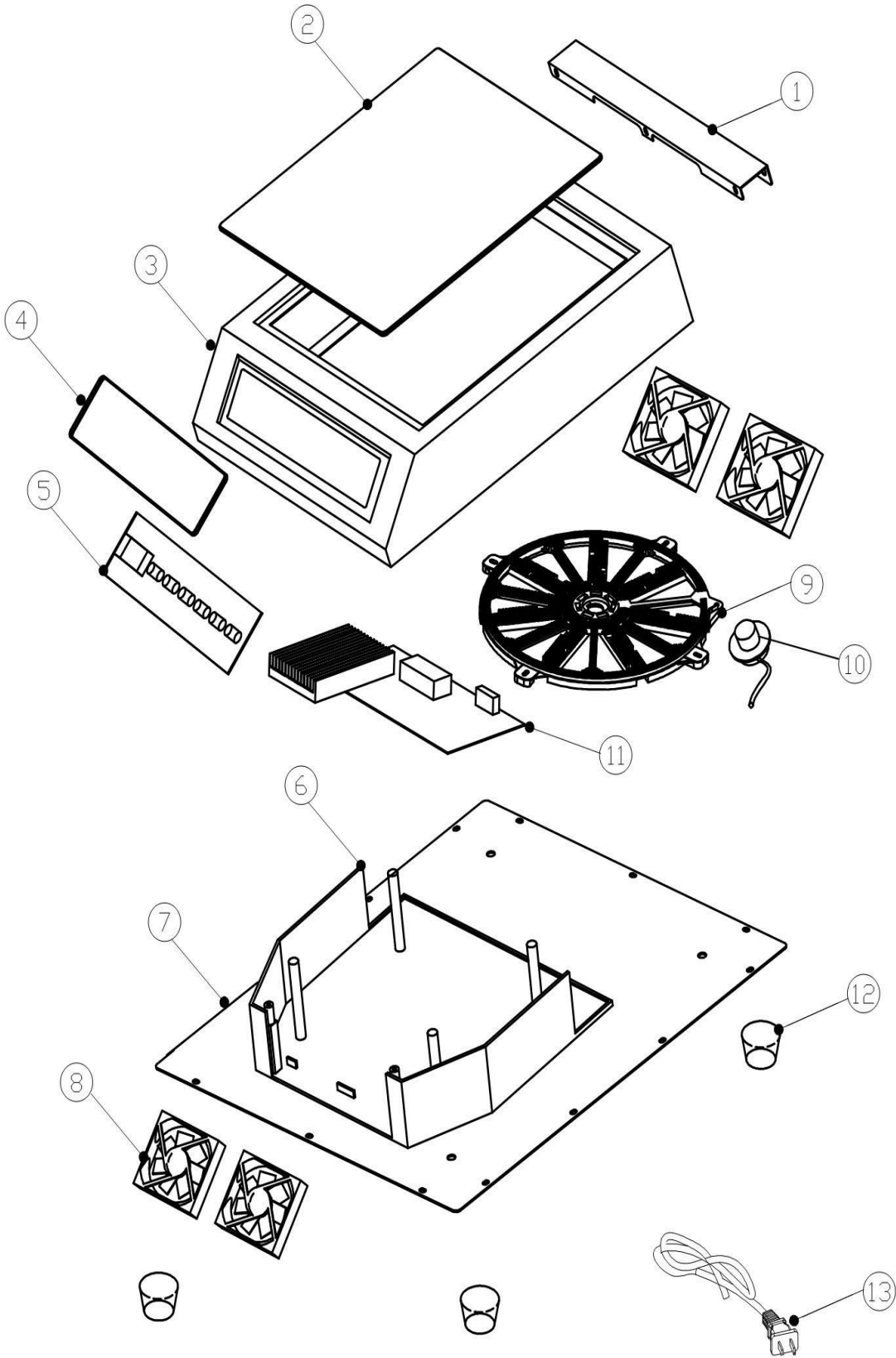


ICL3500 Diagram Induction Cooker



ICL3500 Spare Parts Prices List Induction Cooker

Part No. of Diagram	KARMA NO.	Description
1	ZCE500-1211	Crashworthy board
2	ZCE500-1212	China Brand Glass
3	ZCE500-1213	S/S body
4	ZCE500-1214	Glass plate for control part
5	ZCE500-1215	Control PCB
6	ZCE500-1216	Inner plastic Housing
7	ZCE500-1217	Metal Bottom
8	ZCE500-1218	Fan
9	ZCE500-1219	Heating coil
10	ZCE500-12110	Sensor
11	ZCE500-12111	Mainboard
12	ZCE500-12112	Feet
13	ZCE500-12113	Plug Cord