

# CONTACT GRILL PANINI - SINGLE

MANUFACTURING  
SINCE 1966



**Model: PGT0001**



## FEATURES

- Use for panini sandwiches as well as English or Italian sandwich cuisine
- They are perfect for delis, bars, cafes and many other food service operators
- Allows operator to create a ribbed effect on the exposed surface of the food
- An adjustable top plate for a variety of food thicknesses
- Heavy duty cast iron plates
- Self balancing upper grill plate
- Thermostatically controlled between 50°C and 300°C
- Drip cup to catch excess grease
- Heat resistant handle
- Pilot light indicates when plates are energised



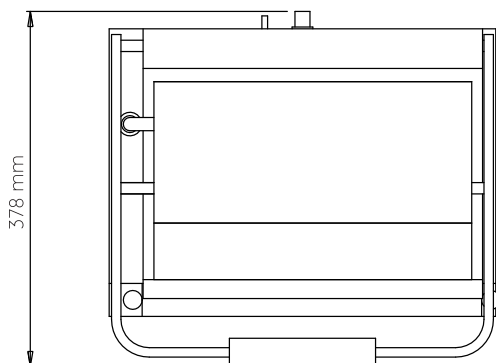
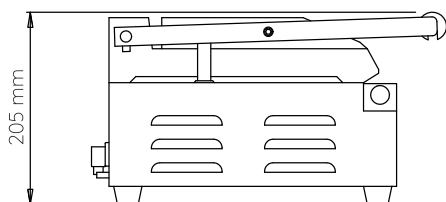
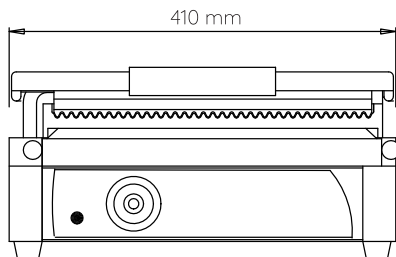
**ALL ANVIL EQUIPMENT COMES WITH A TWO YEAR WARRANTY ON COMPONENTS AND DEFECTIVE WORKMANSHIP.**

[www.anvilworld.com](http://www.anvilworld.com)

**Model: PGT0001**
**SPECIFICATIONS**

POWER	2.6kW
VOLTAGE	230V - 50Hz
PACKAGING (W x D x H)	530 x 450 x 270 (mm)
UNIT (W x D x H)	410 x 378 x 205 (mm)
NET WEIGHT	20.5kg
GROSS WEIGHT	22kg
SHIPPING VOLUME	0.06m <sup>3</sup>

AVAILABLE IN

 120V/60Hz

**NOTE**

- When viewing the appliance from the front in its usual operating position, the width (W) of the product is the total distance from left to right; the depth (D) of the product is the total distance from the front to the back; the height (H) is the total distance from the bottom of the product to the top. Pictures may vary from actual product.

**DISCLAIMER**

- Output performance figures quoted are dependent on various factors. Anvil reserves the right, without notice, to make changes and revisions to product specifications, materials and design, when we believe it will provide better performance, durability, and efficiency. Unit measurements may vary depending on point of reference.



**ALL ANVIL EQUIPMENT COMES WITH A TWO YEAR WARRANTY ON COMPONENTS AND DEFECTIVE WORKMANSHIP.**

[www.anvilworld.com](http://www.anvilworld.com)