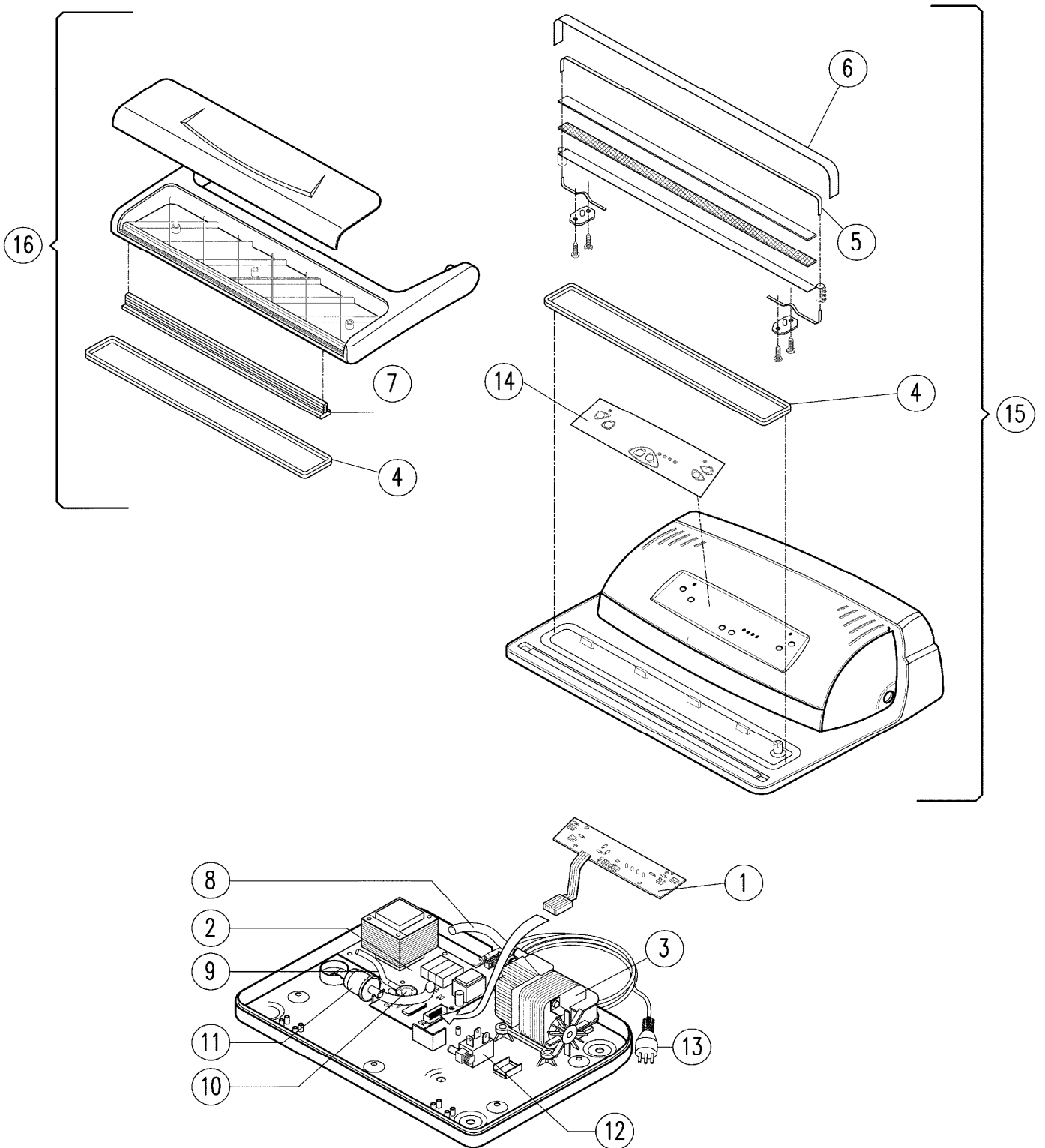


# SPARE PARTS LIST

SPARE PARTS LIST VACUUM FAMILY					
No. Part	Code Part	Description	Validity start date	Validity end date	Notes
1	1602635	COMMAND BOARD OR-120	03/01/1900	31/12/2099	
2	1602439	POWER BOARD L083_A_00 230V VAC. FAMILY/LEVAC3	03/01/1900	31/12/2099	230V
3	1601819	VACUUM PUMP EPV30 230V/50HZ MA-VIB	03/01/1900	31/12/2099	230V
4	1604002	SILICONE RUBBER (2 PCS) MAE	03/01/1900	31/12/2099	
5	1603686	FLAT SEALING WIRE 3X0.1 (1 MT)	03/01/1900	31/12/2099	
6	1604362	BLACK TEFLON BAND L=12MM (1 MT)	01/01/1900	31/12/2099	
7	1604003	"T" SILICONE RUBBER L=314MM	03/01/1900	31/12/2099	
8	1604409	D=6X9 HOSE (5 MT)	01/01/1900	31/12/2099	
9	1604408	D=4X6 HOSE (5 MT)	03/01/1900	31/12/2099	
10	1604082	VACUUM SENSOR SIGNAL LUX 693MBAR	03/01/1900	31/12/2099	
11	1601815	VACUUM PUMP EXHAUST FILTER CP30/EVP30	03/01/1900	31/12/2099	
12	1602526	SOLENOID VALVE 1/8" F D=2 230V	03/01/1900	31/12/2099	230V
13	1603292	POWER CABLE 3X1X3000 SHUKO EUR	03/01/1900	31/12/2099	230V
14	1601881	CONTROLS STICKER VACUUM FAMILY	01/01/1900	31/12/2099	
15	1602479	WHITE COMPLETE UPPER CASING VACUUM FAMILY	01/01/1900	31/12/2099	
15	1601883	BLUE COMPLETE UPPER CASING VACUUM FAMILY	01/01/1900	31/12/2099	
16	1602451	WHITE COMPLETE SUCTION COVER VACUUM FAMILY	01/01/1900	31/12/2099	
16	1601882	BLUE COMPLETE SUCTION COVER VACUUM FAMILY	01/01/1900	31/12/2099	

# SPARE PARTS LIST



1803