

Idea 30



10 editable programs



Smart sensor

Adaptable and complete

A chamber vacuum machines line made entirely of stainless steel, including the bodywork and the vacuum chamber. They are characterized by a fully automatic packaging cycle and a digital control panel equipped with a microprocessor and 10 editable programs.

Idea 30 is ideal for:



Restaurants



Pastry shops



Butchers' shops



Pastry shops



Cafés

Packing methods



Sealing only



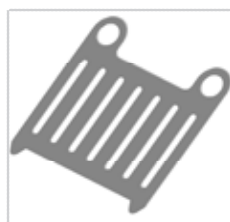
Vacuum



External vacuum



Accessibility
Opening system with support rod



Easy vacuum
It is possible to vacuum pack outside the vacuum chamber



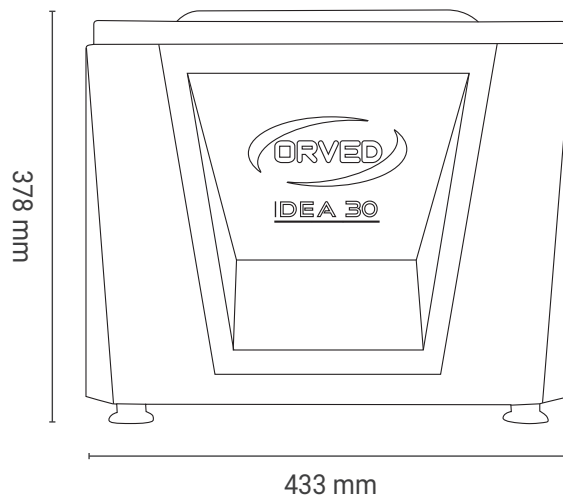
Hard-wearing vacuum chamber
Made in a single piece without weldings and rounded corners



Digital panel
5" waterproof and scratch-resistant digital control panel

Technical data sheets

- > Bodywork: stainless steel
- > Size: 433x502x378h mm
- > Chamber size: 352x335x170h mm
- > Weight: 35,5Kg
- > Power grid voltage: 230V 50/60Hz
- > Max power absorption: 600 W
- > Sealing bars: 310 mm
- > Vacuum pump: 8 mc/h
- > Max bag size: 300 mm



Standard equipment



Digital panel



Smart vacuum sensor



Editable programs



H₂out



Easy included



Vacuum in rigid containers

Matching accessories



Smooth vacuum bags



Channelled vacuum bags



Cook&Chill vacuum bags



Cooking vacuum bags



Carriage



Conserbox containers



Tubo di aspirazione esterna



Inclined shelf for liquid products