



# SALAD DRIER ES-200 230/50-60/1

Capacity per cycle: 12 Kg. / 20 gal.



P/N 1000710



- before cycle starts.
- ✓ Braking system safety mechanism: allowing basket to stop turning as soon as lid opens.
- ✓ An indicator appears when the door is open.

## INCLUDES

- ✓ Castors with brake.
- ✓ Stainless steel drying basket.

## ACCESSORIES

- Stainless Steel Basket set

## SALES DESCRIPTION

Fast, sleek, quiet, user-friendly, safe, smooth running commercial salad spinner, designed to efficiently dry up to 12 Kg. / 20 gal. of salad per cycle at a maximum speed of 900rpm. Portable. Equipped with locking wheels. Cycle memory. 2-speed-appliance.

- ✓ Sammic salad spinners dry lettuce and other vegetables in as low as 1-3 minutes owing to their fast speed (900 r.p.m), ensuring good product quality.
- ✓ Equipped with powerful three-phase motors controlled by highly reliable electronic speed variator, which enables the salad dryer to be connected to a single-phase electrical mains supply.
- ✓ Stainless steel construction.
- ✓ Lightweight and removable stainless steel basket.
- ✓ Compact geometry: easily fits under conventional standard counter-tops.
- ✓ Equipped with castors allowing the operator to wheel unit around the kitchen and under a countertop for easy storage.
- ✓ Transparent, heavy duty lid for ease of control.
- ✓ Lid equipped with a self-opening mechanism, for ease of access to basket.
- ✓ User-friendly, waterproof control panel. Advanced features
- ✓ Electronic timer with 3 fixed cycles.
- ✓ Weight distribution detection system (VCS) to prevent rattling of the unit. Self lock-in mechanism to ensure basket is properly secured



**sammic** | [www.sammic.com](http://www.sammic.com)  
Food Service Equipment Manufacturer

Polígono Basarte, 1. phone +34 943 15 72 36  
20720 Azkoitia, Spain [sales@sammic.com](mailto:sales@sammic.com)



Project	Date
Item	Qty
Approved	

DYNAMIC PREPARATION  
COMMERCIAL SALAD SPINNERS

product sheet  
updated 18/06/2021



# SALAD DRIER ES-200 230/50-60/1

Capacity per cycle: 12 Kg. / 20 gal.



P/N 1000710

## SPECIFICATIONS

Capacity per load: 12 Kg  
 Drainer hourly production: 240 Kg - 720 Kg  
 Timer (min-max): 60 " - 120 " - 180 "  
 Motor speed: 900 rpm  
 Total loading: 550 W  
 Electrical supply: 230 V / 50-60 Hz / 1 ~  
 Plug: EU

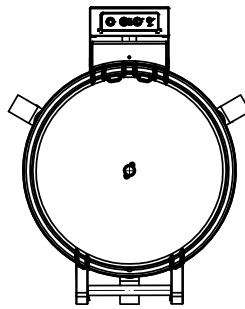
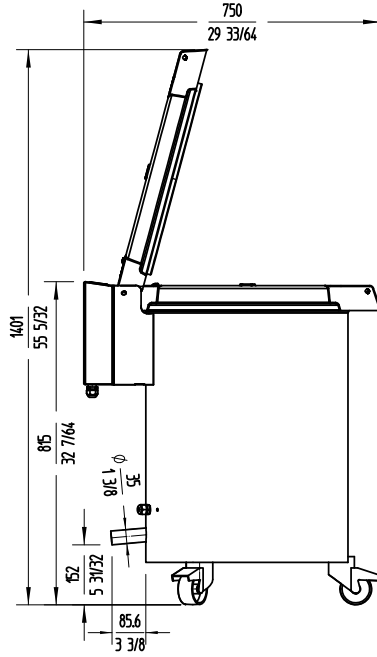
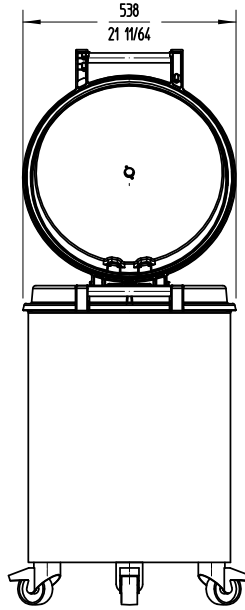
### External dimensions (WxDxH)

- ✓ Width: 540 mm
- ✓ Depth: 750 mm
- ✓ Height: 815 mm

Net weight: 52 Kg

### Crated dimensions

840 x 670 x 980 mm  
 Gross weight: 58 Kg.



DYNAMIC PREPARATION  
COMMERCIAL SALAD SPINNERS

**sammic** | www.sammic.com  
 Food Service Equipment Manufacturer

Polígono Basarte, 1. phone +34 943 15 72 36  
 20720 Azkoitia, Spain sales@sammic.com



Project	Date
Item	Qty
Approved	

product sheet  
updated 18/06/2021