

## PIZZA PREP TABLE REFRIGERATORS



Optional  
ESL3883 / ESL3884



**Single Door Refrigerated  
Pizza Table with Drawers**

**EPF3490**

Optional  
ESL3883 / ESL3884



**Two Door Refrigerated Pizza Table**

**EPF3495**

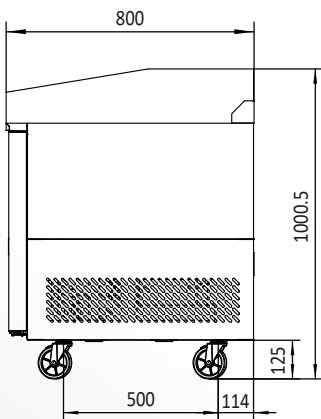


## FEATURES

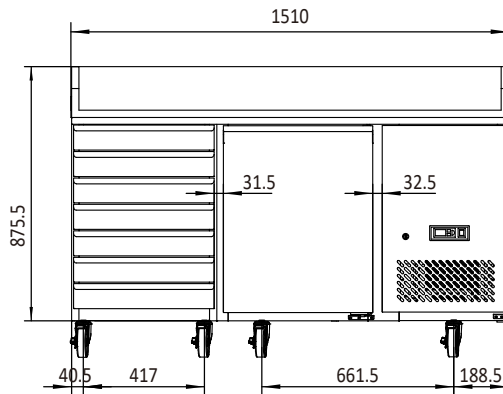
- Stainless steel interior and exterior with galvanised back panel
- Gas: R134A for Fridges
- Insulation Foam: C5H10,ODP, Zero emissions
- 43°C ambient working temperature
- Castors as standard
- All European parts, Aspera compressor, EBM fan motor
- Carel or Dixell digital controller
- Fan-forced cooling
- Can fit in ESL3884 / ESL3883 (optional)
- Allow 100 mm clearance for air ventilation TABLE
- Fits 600mm x 400mm racks and trays (not included)



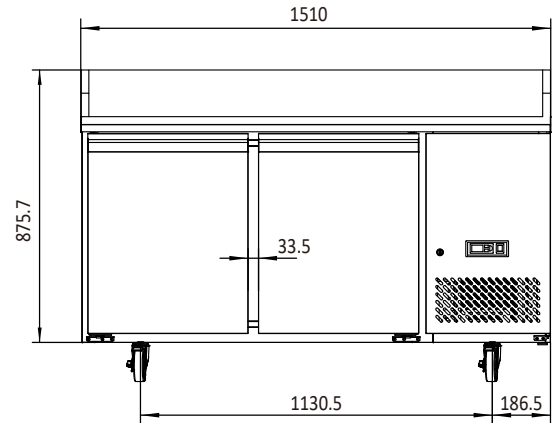
side view



EPF3490



EPF3495



INFORMATION	EPF3490	EPF3495
Capacity	180L	300L
Power	330W	330W
Voltage	220~240V/50Hz	220~240V/50Hz
Working Temp	-2°C~+8°C	-2°C~+8°C
Ambient Temp	43°C	43°C
Dimensions(mm)	W1510 x D800 x H1000,246kg	W1510 x D800 x H1000,209kg
Packaging Dimensions(mm)	W1564 x D854 x H1051,315kg	W1564 x D854 x H1051,275kg



2 YEARS WARRANTY ON ALL PARTS AND LABOUR  
EXTRA 2 YEARS WARRANTY ON PARTS  
WHEN YOU REGISTER WITH US ONLINE



\* All prices are EX-GST