

## UD505DAUS

ECOLINE UNDERBENCH DISHWASHER - 1.5 AMP

500x500 mm basket



### GUARANTEED WASH PERFORMANCE

In commercial dishwashers, the rinse is the most important part of the wash cycle, as it is the only one performed with clean water. This is the reason why, at Smeg, we believe all commercial dishwashers must have **a rinse pump on board**, the only way to guarantee that optimal and constant pressure and temperature are maintained throughout the rinse cycle.

### WE BELIEVE IN OUR QUALITY

All dishwashers are manufactured in our state of the art factory in Italy, where we monitor all phases of design, engineering and production.



### PRODUCT FEATURES

- Construction in AISI 304 stainless steel
- Moulded rack guides
- **HTR (High Temperature Rinse) system with atmospheric boiler and rinse pump**
- 2.5 litres water rinse cycle
- Approximately 20% water exchange every cycle
- Drain pump with triple stage dynamic filtration system
- Door opening height: 365mm
- Electronic controls with 3 wash programs
- Shortest wash program 90 seconds
- Soft start wash pump
- Automatic selfcleaning cycle
- Shut-off at the end of drain cycle
- Thermostop system to ensure correct rinse temperature
- Adjustable peristaltic pumps for detergent and rinse-aid injection
- Self-diagnostic system with error messages
- **15 Amp plug**
- **24 months parts and 12 months labour warranty**

### ACCESSORIES

- PB50D01 - 500x500mm basket. 18-plate Ø250mm
- PB50G01 - 500x500mm flat-bottomed basket
- WB50D01 - Wire basket. 18-plate Ø250mm
- WB50G01 - Wide-mesh wire basket with flat bottom
- WB50G02 - Wire basket with inclined bottom for stem glasses max Ø90mm
- WB50G03 - Wire basket with inclined bottom for stem glasses max Ø72mm
- WB50G04 - Wire basket with inclined bottom for stem glasses max Ø120mm
- WB50T02 - Wire basket for 7 GN1/1 20mm deep baking rins
- WB50T03 - Wire basket for GN1/1 60mm deep

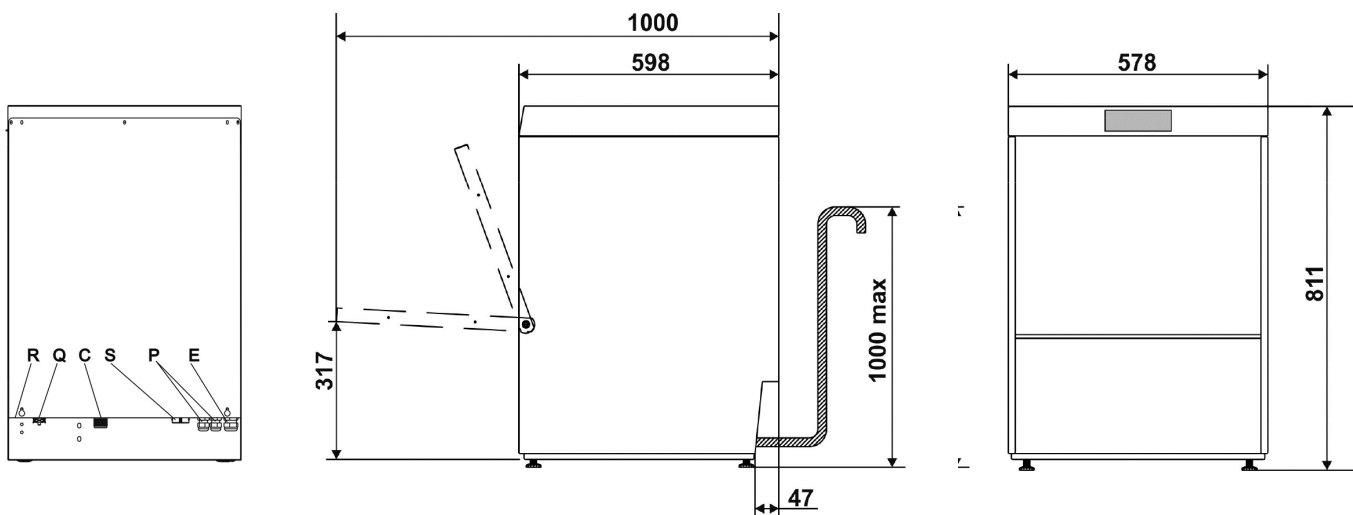
# UD505DAUS

ECOLINE UNDERBENCH DISHWASHER - 1.5 AMP

500x500 mm basket

## TECHNICAL SPECIFICATIONS

<b>Dimensions (mm) (WxDxH)</b>	578x598x820	<b>Minimum supply pressure (bar)</b>	2.5
Basket (mm)	500x500	<b>Drain pump</b>	Yes
Door clearance (mm)	365	<b>Rinse aid pump</b>	Peristaltic
Type of interface	electronic	<b>Detergent pump</b>	Peristaltic
Door/hood structure	double skinned insulated	<b>Programme 1 (sec)</b>	90*
Supplied water temperature (°C)	Hot water (max 60°)	<b>Programme 2 (sec)</b>	150*
Tank volume (litres)	13	<b>Programme 3 (sec)</b>	240*
Filtering system	Tank filter + selective filter	<b>Special programmes</b>	Total renewal of the water inside the tank Extra rinse Self-cleaning
Boiler volume (litres)	6	<b>Thermostop</b>	Yes
Boiler heating element (W)	2,000	<b>Total power (W)</b>	2,700
Wash pump (W)	680	<b>Electrical connection</b>	Single Phase 1.5Amp 230V~/12A/2,7kW/50Hz
Tank temperature (°C)	60°	<b>Basket number</b>	
Rinse pump	Yes	dishes	1 x PB50D01
Rinse temperature (°C)	85°	universal / glasses	1 x PB50G01
Adjustable temperatures	Yes	cutlery	1 x PHOOS02
Water consumption (litres/cycle)	2.5		
Net weight	53kg		



### CONNECTION WIRING DIAGRAM KEY

R	Rear lower panel	P	Peristaltic doser tubes
C	Water supply tubing	E	Electrical power cable
S	Water drain tubing	F	External doser power supply cable input
Q	Equipotential terminal		

\*Supplied water temperature >50°C and <60°C and three-phase electrical connection whenever possible.

\*Indicative wash times

