

## UD505DAUS10

### ECOLINE UNDERBENCH DISHWASHER - 10 AMP

500x500 mm basket



#### GUARANTEED WASH PERFORMANCE

In commercial dishwashers, the rinse is the most important part of the wash cycle, as it is the only one performed with clean water. This is the reason why, at Smeg, we believe all commercial dishwashers must have **a rinse pump on board**, the only way to guarantee that optimal and constant pressure and temperature are maintained throughout the rinse cycle.

#### WE BELIEVE IN OUR QUALITY

All dishwashers are manufactured in our state of the art factory in Italy, where we monitor all phases of design, engineering and production.



#### PRODUCT FEATURES

- Construction in AISI 304 stainless steel
- Moulded rack guides
- **HTR (High Temperature Rinse) system with atmospheric boiler and rinse pump**
- 2.5 litres water rinse cycle
- Approximately 20% water exchange every cycle
- Drain pump with triple stage dynamic filtration system
- Door opening height: 365mm
- Electronic controls with 3 wash programs
- Shortest wash program 90 seconds
- Soft start wash pump
- Automatic selfcleaning cycle
- Shut-off at the end of drain cycle
- Thermostop system to ensure correct rinse temperature
- Adjustable peristaltic pumps for detergent and rinse-aid injection
- Self-diagnostic system with error messages
- **10 Amp plug**
- **Hot water (max 60°) connection, recommended**
- **24 months parts and 12 months labour warranty**

#### ACCESSORIES

- PB50D01 - 500x500mm basket. 18-plate Ø250mm
- PB50G01 - 500x500mm flat-bottomed basket
- WB50D01 - Wire basket. 18-plate Ø250mm
- WB50G01 - Wide-mesh wire basket with flat bottom
- WB50G02 - Wire basket with inclined bottom for stem glasses max Ø90mm
- WB50G03 - Wire basket with inclined bottom for stem glasses max Ø72mm
- WB50G04 - Wire basket with inclined bottom for stem glasses max Ø120mm
- WB50T02 - Wire basket for 7 GN1/1 20mm deep baking rins
- WB50T03 - Wire basket for GN1/1 60mm deep

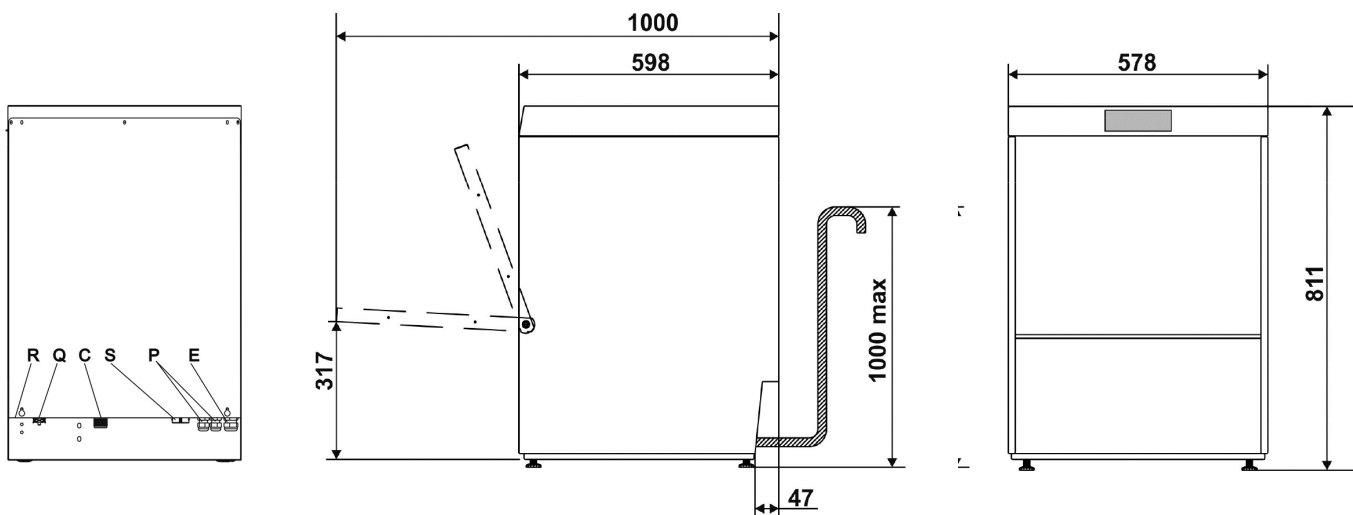
# UD505DAUS10

## ECOLINE UNDERBENCH DISHWASHER - 10 AMP

500x500 mm basket

### TECHNICAL SPECIFICATIONS

|                                  |                                |                                      |  |
|----------------------------------|--------------------------------|--------------------------------------|--|
| <b>Dimensions (mm) (WxDxH)</b>   | <b>578x598x820</b>             | <b>Minimum supply pressure (bar)</b> | 2.5  |
| Basket (mm)                      | 500x500                        | <b>Drain pump</b>                    | Yes  |
| Door clearance (mm)              | 365                            | <b>Rinse aid pump</b>                | Peristaltic  |
| Type of interface                | Electronic                     | <b>Detergent pump</b>                | Peristaltic  |
| Door/hood structure              | Double skinned insulated       | <b>Programme 1 (sec)</b>             | 90*  |
| Supplied water temperature (°C)  | Hot water (max 60°)            | <b>Programme 2 (sec)</b>             | 150*   |
| Tank volume (litres)             | 13                             | <b>Programme 3 (sec)</b>             | 240*   |
| Tank heating element (W)         | 1,500                          | <b>Special programmes</b>            | Total renewal of the water inside the tank<br>Extra rinse<br>Self-cleaning |
| Filtering system                 | Tank filter + selective filter | <b>Thermostop</b>                    | Yes  |
| Boiler volume (litres)           | 6                              | <b>Electrical connection</b>         | Single Phase 10Amp<br>230V~/10A/2,2kW/50Hz                                 |
| Boiler heating element (W)       | 1,500                          | <b>Basket number</b>                 |  |
| Wash pump (W)                    | 680                            | dishes                               | 1 x PB50D01  |
| Tank temperature (°C)            | 60°                            | universal / glasses                  | 1 x PB50G01  |
| Rinse pump                       | Yes                            | cutlery                              | 1 x PHOOS02  |
| Rinse temperature (°C)           | 85°                            |                                      |  |
| Adjustable temperatures          | Yes                            |                                      |  |
| Net weight                       | 59kg                           |                                      |  |
| Water consumption (litres/cycle) | 2.5                            |                                      |  |



#### CONNECTION WIRING DIAGRAM KEY

|   |                        |   |   |
|---|------------------------|---|---|
| R | Rear lower panel       | P | Peristaltic doser tubes                 |
| C | Water supply tubing    | E | Electrical power cable                  |
| S | Water drain tubing     | F | External doser power supply cable input |
| Q | Equipotential terminal |   |   |

\*Supplied water temperature >50°C and <60°C and three-phase electrical connection whenever possible.

\*Indicative wash times

