



VACUUM PACKING MACHINE SE-520 CC 230/50-60/1 AUS

· DEEP-DRAWN CHAMBER

Tabletop model. 20 m³/h. 420+420 mm.



P/N 1141146



SALES DESCRIPTION

Two sealing bars (420+420 mm).
20 m³/h Busch vacuum pump.
Vacuum controlled by sensor.

- ✓ Powered by Busch.
- ✓ Vacuum controlled by sensor.
- ✓ Vacuum PLUS.
- ✓ Digital keyboard.
- ✓ Control panel equipped with display indicating the exact vacuum percentage.
- ✓ "Pause" button to marinate food.
- ✓ Safe liquid packing thanks to sensor control.
- ✓ Double seal.
- ✓ Cordless sealing bar.
- ✓ Bag-sealing programme.
- ✓ Pulse-controlled decompression.
- ✓ Vac-Norm ready with Automatic decompression.
- ✓ Stainless steel body and chamber. Long-shaped, deep-drawn chamber.
- ✓ Damped transparent lid of highly durable polycarbonate.
- ✓ Dry-oil programme for drying the pump.
- ✓ Working hours counter for oil changes.
- ✓ Safety system with protection against vacuum failure.

INCLUDES

- ✓ Sensor Controls
- ✓ Up to 10 seconds of extra vacuum pull
- ✓ Soft air function
- ✓ Dry oil cycle
- ✓ BUSCH pump
- ✓ NSF Approved
- ✓ Clear methacrylate lid
- ✓ Filling plate

OPTIONAL

- Vacuum packing bags
- External vacuum kit for Vac-Norm, containers and accessories
- Bag cutting kit
- Support for liquid packaging
- Additional filling plates

ACCESSORIES

- Bag cutting kits
- Filling plates
- Liquid insert plates
- Vac-norm external vacuum kits
- Vac-norm containers
- Smooth bags for vacuum packing
- Trolley for vacuum packing machines

SPECIFICATIONS

Pump capacity: 20 m³/h
 Pump capacity (60 Hz): 20 m³/h
 Bar length: 420 mm + 420 mm
 Total loading: 750 W
 Vacuum pressure (maximum): 2 mbar
 Electrical supply: 230 V / 50-60 Hz / 1 ~ (5.5 A)

Internal dimensions

- ✓ Width: 568 mm
- ✓ Depth: 431 mm
- ✓ Height: 215 mm

External dimensions (WxDxH)

- ✓ Width: 634 mm
- ✓ Depth: 552 mm
- ✓ Height: 513 mm

Net weight: 76 Kg

Noise level (1m.): 75 dB(A)
 Background noise: 32 dB(A)

Crated dimensions

786 x 612 x 685 mm
 Gross weight: 84.6 Kg

FOOD PRESERVATION AND SOUS-VIDE
VACUUM PACKING MACHINES - "SENSOR" LINE

product sheet
updated 21/07/2022





VACUUM PACKING MACHINE SE-520 CC 230/50-60/1 AUS

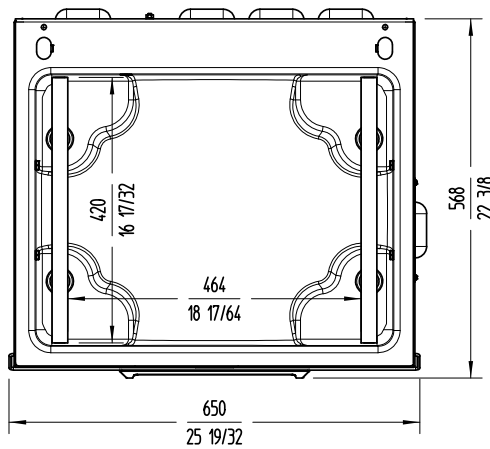
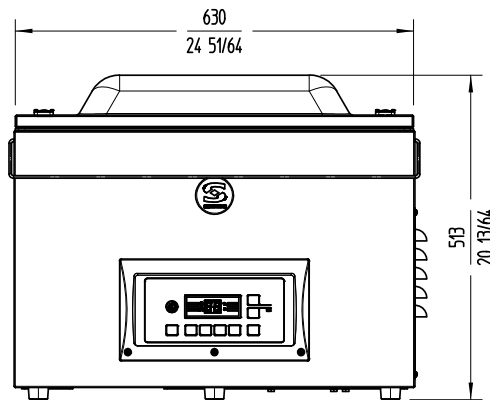
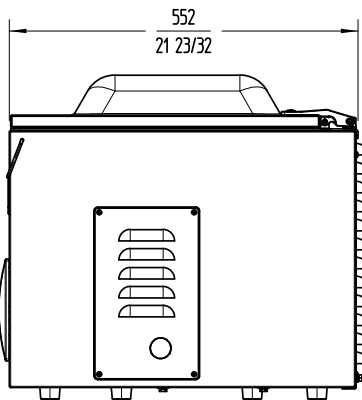
· DEEP-DRAWN CHAMBER

Tabletop model. 20 m³/h. 420+420 mm.



P/N 1141146

FOOD PRESERVATION AND SOUS-VIDE
VACUUM PACKING MACHINES - "SENSOR" LINE



sammic | www.sammic.com
Food Service Equipment Manufacturer

Polígono Basarte, 1. phone +34 943 15 72 36
20720 Azkoitia, Spain sales@sammic.com



Project	Date
Item	Qty
Approved	

product sheet
updated 21/07/2022