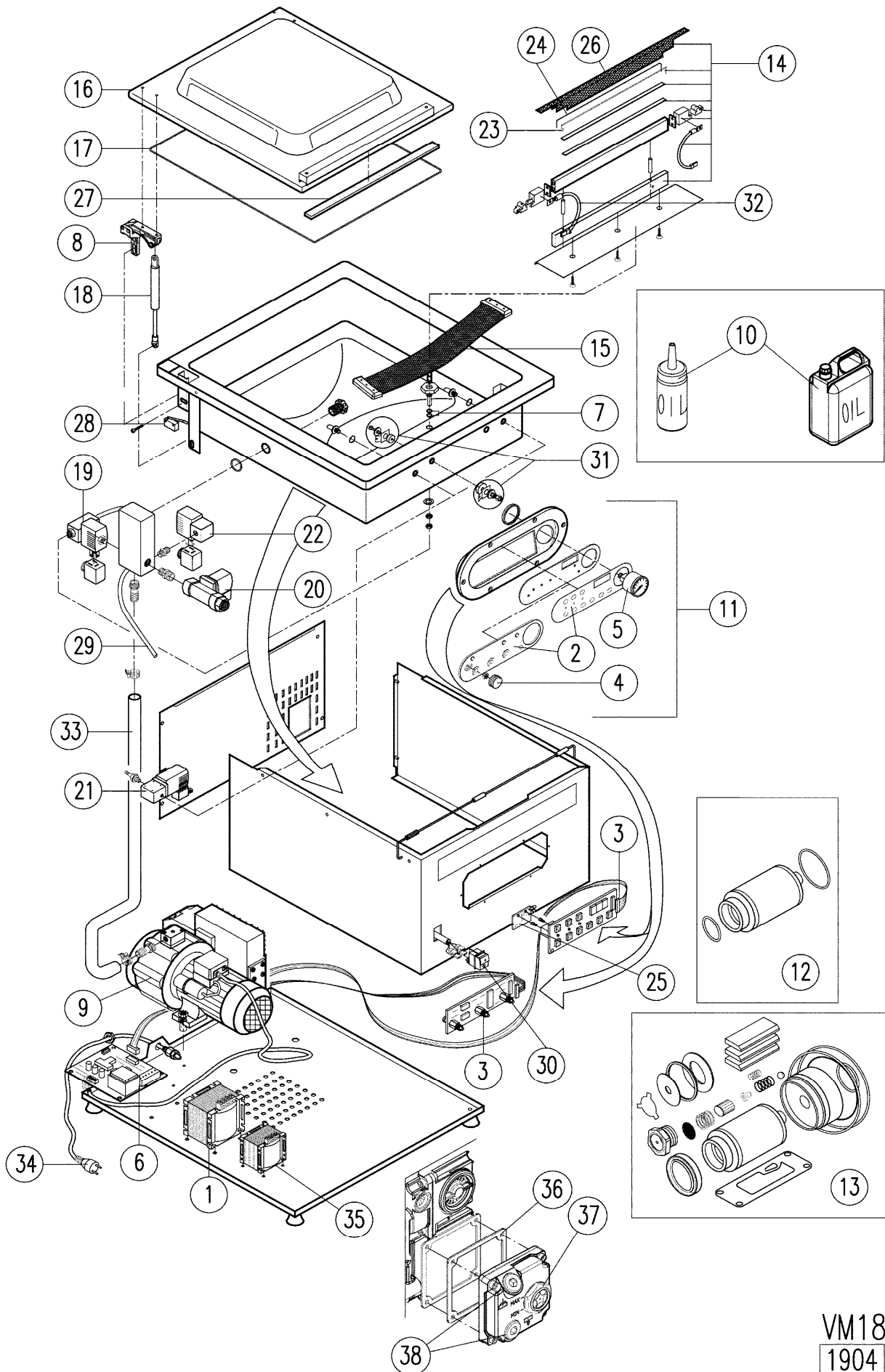


# SPARE PARTS LIST

SPARE PARTS LIST VM18					
No. Part	Code Part	Description	Validity start date	Validity end date	Notes
1	1603279	TRANSFORMER 200VA 220/10-12V	01/01/1900	31/12/2099	230V 1B NORM
2	1602441	ORVED CONTROLS STICKER B013.3	03/01/1900	31/12/2099	B013
3	1601999	POTENTIOMETER BOARD B013.3 MC - PB+T23	03/01/1900	31/12/2099	B013
4	1602442	CONTROL KNOBS (4 PC/PCS)	03/01/1900	31/12/2099	B013
5	1603378	VACUUM GAUGE D=50MM	03/01/1900	31/12/2099	
6	1601834	POWER BOARD H102_2 - 230V MC	03/01/1900	31/12/2099	230V
7	1604043	O-R FOR COUPLING NOZZLE (10 PCS)	03/01/1900	31/12/2099	
8	1602988	HINGES (L+R) VM18/SV41	03/01/1900	31/12/2099	
9	1604114	VACUUM PUMP LC 25 230V 50/60HZ	03/01/1900	31/12/2099	230V
10	1601839	PUMP OIL ORV60 1,5L	03/01/1900	31/12/2099	
10	1601038	PUMP OIL ORV60 10L	03/01/1900	31/12/2099	
11	1602443	COMPLETE CONTROL PANEL (PB+T23) B013.3	03/01/1900	31/12/2099	B013
12	1601614	REPAIR KIT MINOR FOR PUMP LC25 (K1000040) (EXHAUST FILTER)	05/03/2011	31/12/2099	
13	1601554	REPAIR KIT MAJOR FOR VACUUM PUMP LC25 (K1000041)	05/03/2011	31/12/2099	
14	CODSERVICE	SPARE PART MANAGED BY CUSTOMER SERVICE	01/01/1900	15/07/2011	1B NORM. OLD
14	1602427	SEALING BAR 432X58X15 STD (NO IDROF)	06/05/2011	21/12/2014	1B NORM.
14	1602676	SEALING BAR 440X48X16 (STD-IDROF)	22/12/2014	31/12/2099	1B NORM. IDROF.
15	1604019	SEALBAG L=330MM	03/01/1900	31/12/2099	
16	1601801	LID VM18 (NO STD) 2F	03/01/1900	15/07/2011	1B OLD TYPE
16	1601774	LID PLEXIGLAS VM18 STD (NO IDROF)	06/05/2011	31/07/2015	1B STD
16	1602665	LID PLEXIGLAS VM18 STD/FC415 (IDROF)	01/08/2015	31/12/2099	1B IDROF.
17	1604413	BLACK SILICONE COVER SEAL D=8MM VM18/VM53/SV41 (3 MT)	03/01/1900	05/05/2011	
17	1604018	BLACK COVER SEAL 2 MT	06/05/2011	31/12/2099	
18	1602992	GAS PRESSURE SPRINGS (2 PCS) 198.255.20	03/01/1900	31/12/2099	
19	1603364	SEALBAG SOLENOID VALVE 3 WAYS 1/8"FF D=2 24V-DC	03/01/1900	31/12/2099	1B CE
20	1603360	DEVACUMATE SOLENOID VALVE 1/2"FF D=13 24V-DC VM18-18N-53-53N/SV41-	03/01/1900	31/12/2099	CE
21	1604062	SOLENOID VALVE FOR GAS/SOFTAIR 1/8"FF D=2 24V	03/01/1900	31/12/2099	GAS CE
22	1604062	SOLENOID VALVE FOR GAS/SOFTAIR 1/8"FF D=2 24V	03/01/1900	31/12/2099	SOFTAIR CE
23	1603265	ROUNDED SEALING WIRE 5x0.3 (1 MT)	03/01/1900	31/12/2099	NORM.
26	1604427	HAVANA TEFLON BAND L=65MM (1 MT) IDEA/ MC/NEW/V.2010/400G-DG/VM98/F420/C-SERIES	03/01/1900	31/12/2099	
27	1604017	SILICONE RUBBER 22X8X420 (1 PC/PCS)	03/01/1900	31/12/2099	1B
28	1603449	SWITCH CONTACT MC	03/01/1900	31/12/2099	
29	1604388	HOSE D=8X6 (2MT)	03/01/1900	31/12/2099	
30	1604071	MAIN SWITCH 20A	03/01/1900	31/12/2099	100/230V
31	1601095	CHAMBER CONTACT KIT MC	03/01/1900	31/12/2099	
32	1604050	SEALING BAR CONNECTION WIRE (2 PCS)	01/01/1900	31/12/2099	NORM. CE
33	1604375	ARMORVIN HOSE D=16 (1 MT)	01/01/1900	31/12/2099	
34	1603293	POWER CABLE 3X1,5X3000 SHUKO EUR	03/01/1900	31/12/2099	230V
36	1604512	TANK GASKET PUMP LB25/LC25/LC60/LB60/LC106 (1 PCS)	01/01/1900	31/12/2099	
37	1601611	OIL SIGHT (1105004)	01/01/1900	31/12/2099	
38	1604489	PUMP OIL REFILL SCREW 1/2" (2 PCS.)	01/01/1900	31/12/2099	

# SPARE PARTS LIST



VM18  
1904