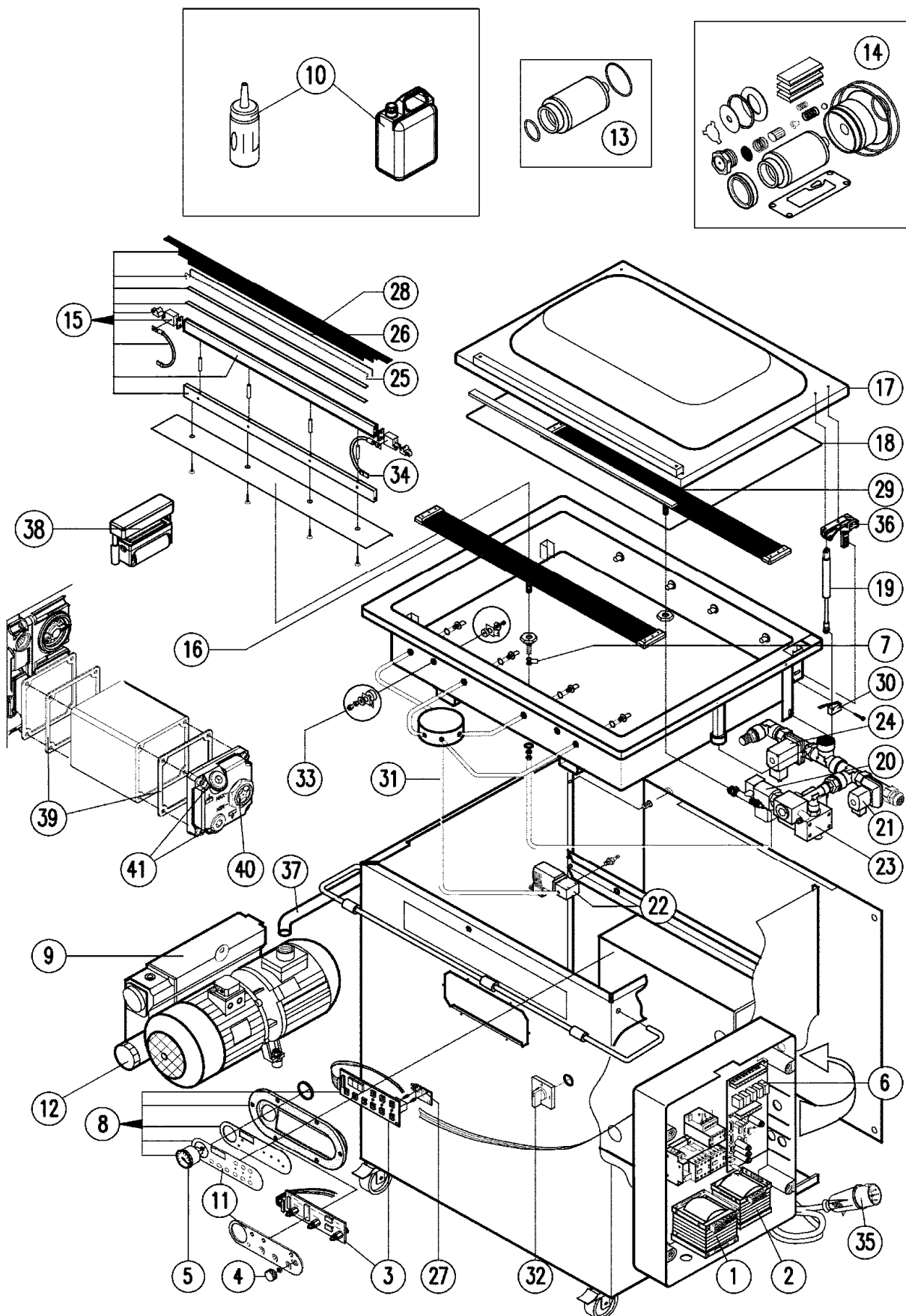


SPARE PARTS LIST

SPARE PARTS LIST VM20					
No. Part	Code Part	Description	Validity start date	Validity end date	Notes
1	CODSERVICE	SPARE PART MANAGED BY CUSTOMER SERVICE	03/01/1900	31/12/2099	
2	1604632	TRANSFORMER 200VA 0-230-400/0-22V	03/01/1900	31/12/2099	
3	1601999	POTENTIOMETER BOARD B013.3 MC - PB+T23	03/01/1900	31/12/2099	B013
4	1602442	CONTROL KNOBS (4 PC/PCS)	03/01/1900	31/12/2099	
5	1603378	VACUUM GAUGE D=50MM	03/01/1900	31/12/2099	
6	1601837	POWER BOARD PJ029 400V MC	03/01/1900	31/12/2099	
7	1604043	O-R FOR COUPLING NOZZLE (10 PCS)	03/01/1900	31/12/2099	
8	1602443	COMPLETE CONTROL PANEL (PB+T23) B013.3	03/01/1900	31/12/2099	B013
9	1601455	VACUUM PUMP LC 106 220/255/380/440 50HZ	01/01/1900	31/12/2099	100 MCH
9	1602392	VACUUM PUMP LC 60 230-400V 50/60HZ	03/03/2014	31/12/2099	60 MCH
10	1601840	PUMP OIL ORV60 1+1L	03/01/1900	31/12/2099	
10	1601038	PUMP OIL ORV60 10L	03/01/1900	31/12/2099	
11	1602441	ORVED CONTROLS STICKER B013.3	03/01/1900	31/12/2099	B013
12	1602535	PUMP OIL FILTER 60/151 M ³ /H	03/01/1900	31/12/2099	
13	1602533	VACUUM PUMP EXHAUST FILTER LC105-LC106-LB100-LC250-LC305 (1801033)	01/01/1900	31/12/2099	105 MCH
13	1602532	VACUUM PUMP EXHAUST FILTER LB60/LC60 VM19/20/1800	03/01/1900	31/12/2099	60 MCH
14	1602764	MAJOR KIT FOR VACUUM PUMP LC60 (K9601068/1)	01/01/1900	31/12/2099	LC60
14	1601104	MAJOR KIT FOR VACUUM PUMP LB60 (K9601047/1)	03/01/1900	31/12/2099	LB60
15	1602766	SEALING BAR 525X43X15	01/01/1900	31/12/2099	1BC NORM.
15	1602769	SEALING BAR 640X43X15	01/01/1900	31/12/2099	1BL NORM.
15	1602766	SEALING BAR 525X43X15	01/01/1900	31/12/2099	2BC NORM.
15	1602769	SEALING BAR 640X43X15	01/01/1900	31/12/2099	2BL NORM.
16	1603262	SEALBAG L=430mm	01/01/1900	31/12/2099	2BC
16	1602453	SEALBAG L=550mm	01/01/1900	31/12/2099	2BL
16	1602453	SEALBAG L=550mm	01/01/1900	31/12/2099	1BL
16	1603262	SEALBAG L=430mm	03/01/1900	31/12/2099	1BC
17	1601805	LID VM20	03/01/1900	31/12/2099	
18	1603567	COVER SEAL (5 MT) D=8x4 VM19/VM20/VM53/VM30/VM1800/FC460/FC510	01/01/1900	12/12/2012	
18	1604393	BLACK COVER SEAL MC-STD (4 MT)	01/01/2013	31/12/2099	
19	1602566	GAS PRESSURE SPRINGS (2 PCS) 198.255.36	03/01/1900	31/12/2099	
20	1603355	3 WAYS SEALBAG SOLENOID VALVE 1/8"FF D=2,5 FKM 24V-DC	03/01/1900	31/12/2099	
21	1603351	DEVACUMATE SOLENOID VALVE 2VIE 1"FF D20 NBR 24V-DC	01/01/1900	17/04/2018	
21	1604201	DEVACUMATE SOLENOID VALVE 2VIE 1"FF D20 NBR 24V-DC	18/04/2018	31/12/2099	
22	1603357	GASFLUSH SOLENOID VALVE 2 WAY 1/2"FF D=10 24V-DC	03/01/1900	31/12/2099	GAS
23	1603356	GASFLUSH SOLENOID VALVE 2VIE 1/8"FF D3 FKM 24V-DCGAS/SOFTAIR	03/01/1900	31/12/2099	SOFTAIR
24	1603352	SUCTION SOLENOID ELECTROV.DE ASPIRATION 2 VIE 1"FF D25 NBR 24V-DC	03/01/1900	31/12/2099	
25	1603265	ROUNDED SEALING WIRE 5x0.3 (1 MT)	01/01/1900	31/12/2099	NORM.
28	1604427	HAVANA TEFLON BAND L=65MM (1 MT) IDEA/ MC/NEW/V.2010/400G-DG/VM98/F420/C-SERIES	03/01/1900	31/12/2099	
29	1602597	SILICONE RUBBER 22X8X520 (1 PC/PCS)	01/01/1900	31/12/2099	2BC
29	1602599	SILICONE RUBBER 22X8X640 (1 PC/PCS)	01/01/1900	31/12/2099	2BL
29	1602599	SILICONE RUBBER 22X8X640 (1 PC/PCS)	01/01/1900	31/12/2099	1BL
29	1602597	SILICONE RUBBER 22X8X520 (1 PC/PCS)	03/01/1900	31/12/2099	1BC
30	1603449	SWITCH CONTACT MC	03/01/1900	31/12/2099	
31	1604388	HOSE D=8X6 (2MT)	03/01/1900	31/12/2099	
32	1603243	MAIN SWITCH 20A 3-PH	03/01/1900	31/12/2099	
33	1601095	CHAMBER CONTACT KIT MC	03/01/1900	31/12/2099	
34	1602513	SEALING BAR CONNECTION WIRE (2 PCS) ASF-4	03/01/1900	31/12/2099	
35	1603676	POWER CABLE 3PH+PE 4X1,5 MMQ CEE	03/01/1900	31/12/2099	
36	1603679	HINGES (L+R)	03/01/1900	31/12/2099	
37	1604392	ARMORVIN HOSE D=30 (2 MT)	03/01/1900	31/12/2099	
38	CODSERVICE	SPARE PART MANAGED BY CUSTOMER SERVICE	01/01/1900	31/12/2099	
39	1604512	TANK GASKET PUMP LB25/LC25/LC60/LB60/LC106 (1 PCS)	01/01/1900	31/12/2099	
40	1601611	OIL SIGHT (1105004)	01/01/1900	31/12/2099	
41	1604489	PUMP OIL REFILL SCREW 1/2" (2 PCS.)	01/01/1900	31/12/2099	

SPARE PARTS LIST



VM20
1907