



# IMMERSION CIRCULATOR SMARTVIDE X

Maximum capacity: 56 lt./ 14 gal.



- ✓ Marinates and macerates an ingredient in **half the time**.
- ✓ **Infuses and flavors** oil, fat or other products applying the controlled temperature technique.
- ✓ The possibility of probe activated cycle start is a crucial function for **pasteurization**.
- ✓ The possibility of connecting SmartVide X to an enhanced tank reduces heating time. This function is specially useful when cooking or retherming very cold or frozen food.
- ✓ Increases **profits** due to lack of product shrink. Requires **very little hands-on time**, allowing the Chef to do other tasks while the product is being cooked. Just program temperature and time, SmartVide will do the rest. The interactive full-color touchscreen offers **all information at a glance** and makes operation extremely intuitive. In addition, thanks to the connectivity, an exchange of important data is allowed to improve the performance of the Chef.
- ✓ SmartVideX offers a complete **settings menu**, accessible through its touch screen.
- ✓ **Portable**: thanks to their thick, stainless steel, ergonomic handle, SmartVide can be taken from a container to another easily. Additionally, the bag supplied with the circulator allows easy transport - wherever the Chef goes.
- ✓ **HACCP-ready**: thanks to Bluetooth connectivity, it is possible to export or print cooking results at the end of each cycle. Furthermore, the cooking data be consulted on the interactive touch screen at any time **during** the cycle.
- ✓ **Your appliance, always updated**: free firmware update, no matter where the appliance is with no need of additional appliances.

## SALES DESCRIPTION

Commercial high-precision sous-vide cooker. Reliable, user-friendly, portable.  
Interchangeable between °C and °F.”

- ✓ Bluetooth / WIFI connectivity.
- ✓ HACCP-ready.
- ✓ Optional core probe and temperature control by core probe.
- ✓ Firmware update.
- ✓ 5” colour touch screen.

**Portable precision cooker with stirrer for up to 56 lt. / 14 gal. containers. Designed for chefs, developed with chefs.**

- ✓ The thick stainless steel, robust construction guarantees commercial performance.
- ✓ SmartVide guarantees cooking at a **precisely controlled temperature** while preserving the quality of the product, enhancing flavor and texture. Equipped with a highly precise temperature control system to obtain extremely consistent results.
- ✓ The **optional core probe** allows for an even more precise control when standardizing recipes. Recipes can be set and the SmartVide controlled by the core probe temperature.
- ✓ Allows cooking food in their own juice and using this juice immediately after cooking to **enhance flavors**.

## INCLUDES

- ✓ Janby Track Mini (must be activated).
- ✓ Transport bag.



**sammic** | www.sammic.com  
Food Service Equipment Manufacturer

Polígono Basarte, 1. phone +34 943 15 72 36  
20720 Azkoitia, Spain sales@sammic.com



|          |      |
|----------|------|
| Project  | Date |
| Item     | Qty  |
| Approved |      |

FOOD PRESERVATION AND SOUS-VIDE  
SOUS-VIDE COOKERS

product sheet  
updated 21/07/2021



# IMMERSION CIRCULATOR SMARTVIDE X

Maximum capacity: 56 lt./ 14 gal.



## SPECIFICATIONS

### Temperature

Display precision: 0.01 °C  
 Range: 5 °C - 95 °C  
 Permissible ambient temperature: 5 °C - 40 °C

### Time

Resolution: 1 '  
 Cycle duration: 1' - 99 h

### General features

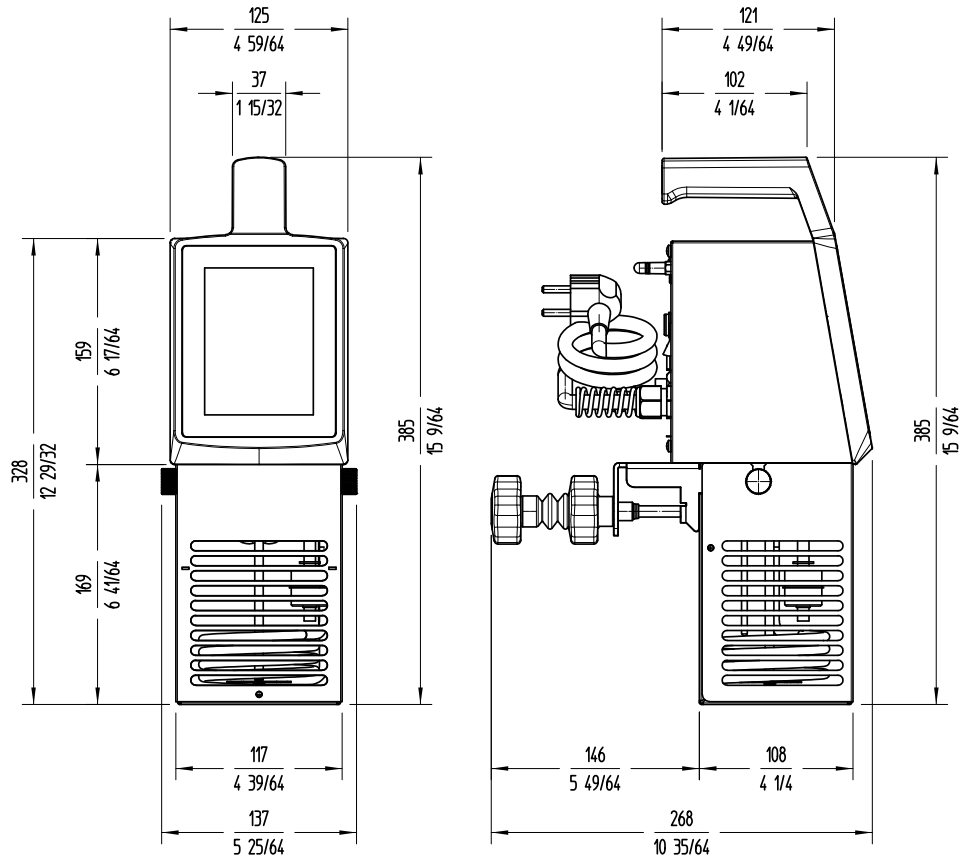
Maximum recipient capacity: 56 l  
 Total loading: 2000 W

Submersible part dimensions: 117 mm x 110 mm x 147 mm  
 External dimensions (WxDxH): 125 mm x 148 mm x 385 mm

Net weight: 4.4 Kg

### Crated dimensions

440 x 190 x 310 mm  
 Gross weight: 6 Kg.



## AVAILABLE MODELS

1180160 SmartVide X 230/50-60/1

1180164 SmartVide X 230/50-60/1 AUS

\* Ask for special versions availability

**sammic** | www.sammic.com  
 Food Service Equipment Manufacturer

Polígono Basarte, 1. phone +34 943 15 72 36  
 20720 Azkoitia, Spain sales@sammic.com



Project

Date

Item

Qty

Approved