



# INSULATED TANK (1/1 DE 200MM) 28 L./7.4 GAL.



P/N 1180060



FOOD PRESERVATION AND SOUS-VIDE  
SOUS-VIDE COOKERS

## SALES DESCRIPTION

Specially designed for SmartVide  
Stainless steel made.

Available in 2 sizes:

- ✓ GN1/1
- ✓ 28 lt./7 gal. capacity.
- ✓ 335 x 600 x 288 mm. (13.2" x 23.6" x 11.3")
- ✓ GN2/1
- ✓ 56 lt./14 gal. capacity.
- ✓ 660 x 600 x 288 mm. (26" x 23.6" x 11.3")
- ✓

Complete with tap.  
Lid sold separately.

## INCLUDES

- ✓ Insulated tank with tap.

## ACCESSORIES

- Lid.



**sammic** | [www.sammic.com](http://www.sammic.com)  
Food Service Equipment Manufacturer

Polígono Basarte, 1.  
20720 Azkoitia, Spain

phone +34 943 15 72 36  
[sales@sammic.com](mailto:sales@sammic.com)



Project	Date
Item	Qty
Approved	

product sheet  
updated 23/07/2021



# INSULATED TANK (1/1 DE 200MM) 28 L./7.4 GAL.



P/N 1180060

## SPECIFICATIONS

Capacity: 28 l

### External dimensions (WxDxH)

Width: 335 mm

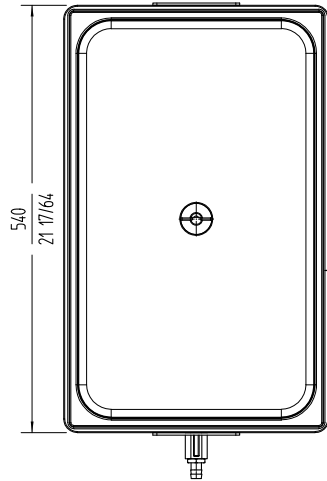
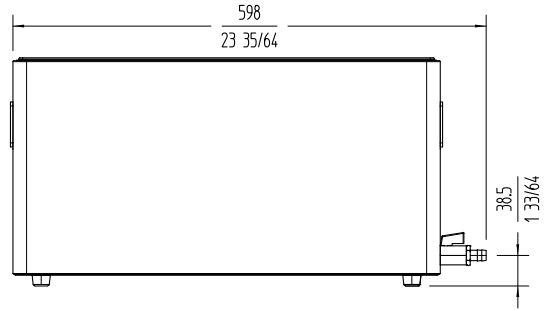
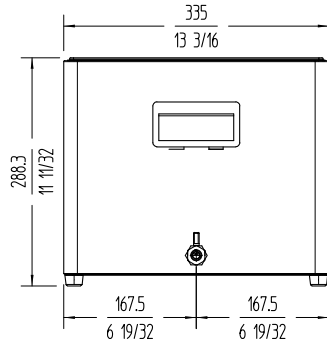
Depth: 600 mm

Height: 288 mm

### Crated dimensions

640 x 360 x 330 mm

Gross weight: 13 Kg.



FOOD PRESERVATION AND SOUS-VIDE  
SOUS-VIDE COOKERS

**sammic** | [www.sammic.com](http://www.sammic.com)  
Food Service Equipment Manufacturer

Polígono Basarte, 1.  
20720 Azkoitia, Spain

phone +34 943 15 72 36  
[sales@sammic.com](mailto:sales@sammic.com)



Project	Date
Item	Qty
Approved	

product sheet  
updated 23/07/2021