

GASTRO ELECTRICAL VACUUM PUMP BVP300

USER MANUAL



1. SAFETY INSTRUCTIONS AND EXPLANATION OF OPERATION

1.1. OPERATING CONDITIONS

The maximum surrounding temperature for normal use is +40 °C, while the average temperature during a 24-hour period must not exceed +35 °C. The lowest allowed surrounding temperature while operating is -5 °C and during charging 0 °C.

Normal room temperature is most suitable.

Surrounding air must be clean, and relative humidity must not exceed 50 % at the maximum temperature of +40 °C. Higher relative humidity is allowed with lower surrounding temperature.

1.2. IMPORTANT SAFETY INSTRUCTIONS

- a.) Choose the place for the device carefully. The surface used for the device must be dry and of normal temperature (not hot), and must not be next to a heat source (heating surface) or source of water.
- b.) Check the charging base slot for the adapter, DC connector, DC adapter cable and plug before connecting charging base with the adapter to the plug (power supply). If you observe any defect, contact our repair service listed below.
- c.) Only use a dry or slightly damp cloth to clean the device.
- d.) Use the device exclusively for the purposes described in the instructions for use.
- e.) If the adapter is damaged, the manufacturer, authorized repair service, or similarly qualified personnel must replace it to prevent any danger.
- f.) The device may be used by children aged 8 or older, by persons with reduced physical, sensory, or mental capabilities, or persons with a lack of experience or knowledge when supervised or informed about the safe use of device, and when aware of the possible dangers.
- g.) Children must not play with the device. Cleaning and maintenance may not be performed by children without supervision.
- h.) The warranty is void in the following cases:
 - An unauthorised or unqualified person attempts to repair the device.
 - The device is used for purposes other than intended.
 - Safety rules and instructions for use are not followed.
- i.) Never use the device in an explosive atmosphere.

j.) Store the device in dry and aerated space, far from fire or high temperature. It is recommended to keep it at room temperature and approximately half charged. In case of disuse up to one year, the device should be stored on temperature from 0 °C to 30 °C, in case of disuse longer than a year it is recommended to store it at temperature from 10 °C to 25 °C. The disuse up to a year or more causes overly discharging the battery. That is why it is recommended to charge and empty the device every three months and later keeping the battery approximately half charged.

When correctly connected and used in accordance with the instructions, the device is not dangerous. Electrical components use low voltage and are protected against dust.

Read the instructions for use thoroughly before use.

The instructions for use should be stored next to the device and always available during use. Opening the device and accessing its interior by a user is forbidden. The manufacturer assumes no liability for damage caused by incorrect use or by failure to comply with the instructions.

1.3. MAINTENANCE AND CLEANING

- a.) Before cleaning, unplug the adapter.
- b.) Store the adapter with charging base and the device in a dry and ventilated place.
- c.) Use a soft, dry or slightly damp soft cloth to clean the device and charging base. Do not use sponges, coarse cloth, polishing agents, disinfectants, or aggressive cleaning agents that may damage the surface

- of individual components. Never immerse the device in water or put it under running water. Never spray cleaning agents directly on the inside or outside of the device.
- d.) The device must be completely dry before use.
- e.) If liquid enters the interior of the device, consult the seller or authorised repair service.

1.4. REPAIR SERVICE

- a.) Only qualified and authorised personnel may perform repairs.
- b.) Only experts that can assess the task at hand and related risks, based on their technical education and knowledge of appropriate standards, can perform repairs.

- c.) Troubleshooting is performed by the manufacturer or an authorised representative.
- d.) If possible, components that need to be replaced are replaced with the original or functionally identical replacement spare parts.

1.5. GENERAL INFORMATION

Gastro electrical vacuum pump (henceforth “the electrical vacuum pump”) is a vacuum packing device intended **to create vacuum in Status gastro vacuum containers**.

Gastro electrical vacuum pump is a technical accessory designed for professional use – by professional restaurants, school and kindergarden cafeterias, pizza restaurants and more.

Gastro electrical vacuum pump does not fit Status vacuum containers for domestic use.

The biggest advantages of vacuum storage are the following:

- it preserves vitamins, minerals, nutrients, and the aroma of foods
- it protects food from the spread of mould and bacteria

- it prolongs the shelf life of foods
- food stored in vacuum containers can be refrigerated or frozen
- it prevents the unpleasant mixing of odours in a refrigerator and freezer

The use of the electric vacuum pump is simple and efficient. It allows you to store food in a completely natural and healthier way, food remains fresh longer, and you end up saving time and money.

Please read the user manual thoroughly before first use and follow the instructions. Should any questions, opinions, or comments arise, feel free to contact us by phone or mail.

This user manual is also available in electronic form at our website innovations.status.si.

1.6. PRODUCT SPECIFICATION

Dimensions (with the charging base, without the adapter)	Width: 125 mm Length: 125 mm Height: 198 mm
Weight (with the charging base and adapter)	1,26 kg
Material	ABS plastic, silicone
Pump	Two one piston pumps (self-lubricating, so maintenance is not necessary)
Vacuum pressure	- 300 mbar
Motor	2 motors of 12 V Automatic cut-off after one minute in case of incorrect vacuum packing process.
Pump volume	22 litres/min
Controls	Electronic
Machine rated power and voltage	14,8 V --- Li-Ion, 2000 mA
Adapter	100-240 V \sim , 600 mA, 50/60 Hz, 16,8 V --- , 1000 mA

1.7. THE COMPONENTS AND THE DESCRIPTION OF THE PRODUCT'S FUNCTIONING

The image below shows gastro electric vacuum pump. It creates a preset vacuum pressure in a container. When the preset pressure is reached, it stops automatically.

Lights explanation:

- During operation: green light.
- When charging is needed: green light blinking.
- During charging: green light blinking.
- When fully charged: green light stops blinking.

The functions and components are indicated with numbers.

1	On/Off button
2	Indicator light
3	The body of the vacuum pump
4	Silicone seal (on Figure 2)
5	Charging base 5a) Adapter 5b) Slot to connect the adapter
6	Connectors for charging (on Figure 2)
7	Groove (on Figure 3)
8	Tongue (on Figure 3)

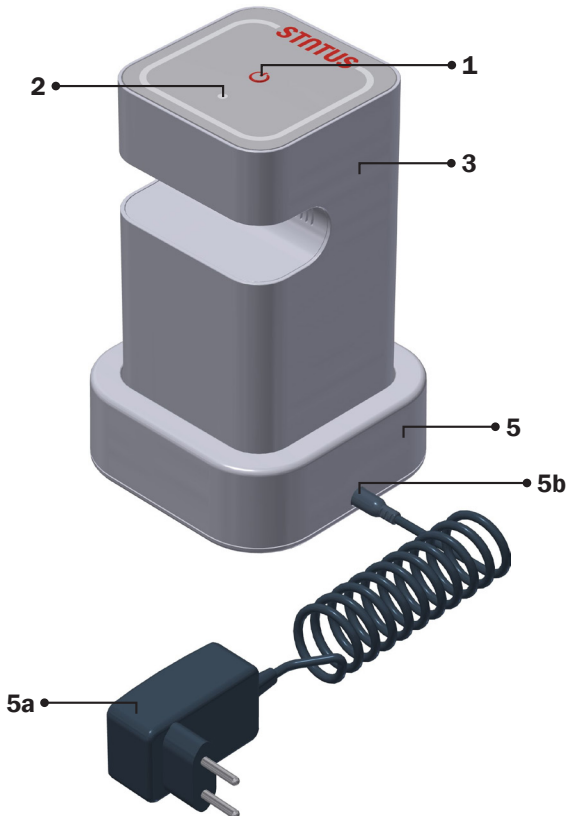


Figure 1: STATUS Gastro electrical vacuum pump BVP300 on the charging base with adapter – components are marked with numbers.



Figure 2: STATUS Gastro electrical vacuum pump BVP300 from below – components are marked with numbers.

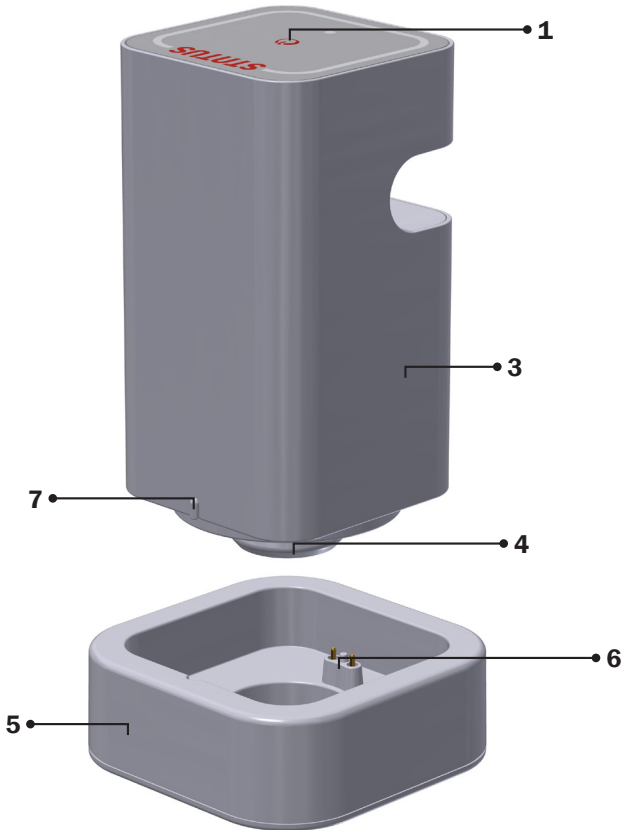


Figure 3: STATUS Gastro electrical vacuum pump BVP300 from the side – components are marked with numbers.

2. USAGE

2.1. GENERAL INSTRUCTIONS

- a.) Upon removing the electric vacuum pump from its packaging make sure that all the component parts are included and that the device and all its component parts are fully operational. Take special care to remove all the packaging bits from the seal.
- b.) Make sure you read the user manual thoroughly before first use and follow the instructions.

2.2. CHARGING

- a.) The electric vacuum pump usually needs to be charged before first use. Prepare the charging base for charging by plugging the DC connector of the adapter in the slot. Plug the other end of the adapter in the socket.
- b.) Place the electrical vacuum pump on the charging base, so the connectors connect and the tongue sits in the groove. The pump should be positioned stably in the base. Charging starts immediately.
- c.) The indicator light flashes green during the charging of the device.
- d.) The charging is complete when the indicator light stops blinking and shines green.
- e.) To maintain the optimal functioning of the battery charge it at least once every 3 to 6 months.

2.3. INSTRUCTIONS FOR USE

After you have acquainted yourself with the general and safety instructions and you have charged the device, you can start using gastro vacuum pump in accordance with the following guidelines.

- a.) Vacuum pack by placing the vacuum pump on the valve at the centre of the lid of a gastro vacuum container, and press lightly (see the picture below).



Figure 1: The placement of STATUS Gastro electrical vacuum pump BVP300 on the STATUS Gastro vacuum container.

- b.) Press the On/Off button. The pump automatically sucks the air out of the container.
- c.) The indicator lights green during vacuum packing.
- d.) The duration of vacuum packing depends on the size of the container and the amount of food: vacuum will be created faster in a smaller container than a larger one, and in a full container than an empty one.
- e.) The pump disengages automatically when the vacuum pressure in a container reaches the preset value.
- f.) The operation of the pump can be stopped at any time by pressing the button On/Off.
- g.) If the pump's battery is empty, it will not turn on upon pressing the On/Off button or the green light will blink fast. The battery needs to be charged.
- h.) In case of incorrect vacuum packing process the pump automatically turns off after one minute.

2.4. STORAGE OF THE PUMP

Store the pump in accordance with the safety instructions. We recommend storing the electrical vacuum pump standing on the charging base. Due to its function-

ality you can keep it right on the kitchen counter or in the kitchen cabinet.

3. DECLARATION OF CONFORMITY

The device conforms to requirements of all relevant European directives.

- a.) Rules on electrical equipment designed for use within certain voltage limits (Official Gazette of RS, Nos. 27/2004, 17/2011, 71/2011) LVD Directive 2014/35, 2006/95/EC
- b.) Rules on electromagnetic compatibility (EMC) (Official Gazette of RS, Nos. 84/2001, 32/2002, 132/2006) EMC Directive 2014/30, 2004/108/EC

EC Declaration of conformity for CE marking certifies that the device is safe and meets all requirements listed in applicable standards, directive, and regulations.

EC Declaration of conformity for CE marking is located at the seller and can be provided per customer's request.

4. TROUBLESHOOTING

PROBLEM:	WHAT TO DO:
The pump does not respond to pressing the On/Off button.	<ul style="list-style-type: none">• It is most likely that the pump's battery is empty. Charge the battery.
The pump does not create vacuum in a container, or the vacuum does not persist.	<ul style="list-style-type: none">• Check if the lid of the vacuum container, the seal, and the valve are positioned correctly.• Check if the silicone seal and the valve of the container are clean and dry. If necessary, remove the valve from the lid, clean it, and reattach it.
The pump works but it does not create vacuum in a container.	<ul style="list-style-type: none">• During the vacuum packing press the pump in the dock surrounding the valve in order to create a tight seal between the pump and the area around the valve.• Check if the lid of the vacuum container, the silicone seal and the valve are positioned correctly.• Check if the silicone seal and the valve of the container are clean and dry. If necessary, remove the valve from the lid, clean it, and reattach it.
The problems encountered cannot be solved.	<ul style="list-style-type: none">• Contact the repair service or contact official Status distributor in your country. The manufacturer will assume responsibility only if you comply with instructions and do not attempt to repair the device yourself.

5. CORRECT DISPOSAL OF YOUR VACUUM PUMP

When the equipment or parts of the device are no longer fit for use they must be disposed of at the industrial waste landfill in accordance with applicable regulations:

- Decree on the Management of Waste Electrical and Electronic Equipment (WEEE) (Official Journal of RS, no. 107/2006)
- Directive 2012/19/EU on Waste Electrical and Electronic Equipment (WEEE)
- Rules on the Restriction of the Use of Certain Hazardous Substances in Electrical and Electronic Equipment (RoHS) (Official Journal of RS, no. 102/2012)
- Rules amending the Rules on the Restriction of the Use of Certain Hazardous Substances in Electrical and Electronic Equipment (Official Journal of RS, no. 20/2014)
- Directive 2011/65/EU on the Restriction of the Use of Certain Hazardous Substances in Electrical and Electronic Equipment

Environmentally hazardous components and parts that were built into the device have to be disposed of at specialized sites.



The symbol on the product or its packaging indicates that at the end of its life, the product may not be treated as ordinary household waste and must be disposed of in accordance with your local authority's instructions and at properly designated sites. You can also use an official WEEE collection service provider in accordance with directive 2002/96/EC.

Separate collection of individual components of EE equipment prevents negative effects of environmental pollution and minimizes danger to human health, which may occur as a result of improper product disposal. In addition, it enables reuse and recovery of the material, thus saving energy and raw materials. For detailed information on collecting, sorting, reuse and recycling of the product contact the provider of WEEE collection services or the shop where you bought the equipment. The date of manufacture can be found on the warranty sheet which you received at purchase.

6. WARRANTY

This warranty is valid for **two years** from the date of purchase. Evidence of original purchase is required for warranty services, so it is important to keep your sales receipt.

This warranty only covers breakdown caused by electrical or mechanical failure. It does not cover damage caused by liquid entering the machine or breakdown caused by failure to follow the manufacturer's instructions.

If you have any comments or questions concerning the functioning of the machine or warranty, please contact us:

STATUS d.o.o. Metlika
Ulica Belokranjskega odreda 19
8330 Metlika, Slovenia
e-mail: info@status.si

For more information visit our website
<http://innovations.status.si>

7. GASTRO ELECTRIC VACUUM PUMP SET

The set includes:

- 1 gastro electrical vacuum pump BVP300
- 1 charging base (with the adapter)
- 1 user manual

