

Modular Cooking Range Line EVO700 2-Hot Plate Electric Infrared Cooking Top Range

ITEM # _____

MODEL # _____

NAME # _____

SIS # _____

AIA # _____



372024 (Z7IRED2000)

2-zone (2,2 kW each) infrared cooking top

372133 (Z7IRED200N)

2-zone (2,2 kW each) infrared cooking top

Short Form Specification

Item No. _____

Ceramic glass top cooking surface 6 mm thick, lying flush to the stainless steel frame for smooth pan movement and easier cleaning. Completely sealed infrared cooking top surface to prevent liquid infiltration. Exterior panels in stainless steel with Scotch Brite finish. One piece pressed work top in 1.5 mm thick stainless steel. Right-angled side edges to allow flush-fitting junction between units.

Main Features

- Ceramic glass top cooking surface with 2 infrared heating zones 6 mm thick.
- The circular concentric heating sections measuring 230 mm give uniform heat also to the largest pan.
- The cooking top is sealed to prevent infiltration inside the unit.
- Warning light to indicate residual surface heat.
- Immediate heat transfer from cooking top to pan.
- Low heat dissipation to the kitchen.
- Heating via ultra high powered heating elements.
- The smooth glass-ceramic surface can be quickly and easily cleaned, thus providing maximum hygiene.
- IPx4 water protection.
- Suitable for countertop installation.

Construction

- All exterior panels in Stainless Steel with Scotch Brite finishing.
- One piece pressed 1.5 mm work top in Stainless steel.
- Model has right-angled side edges to allow flush fitting joints between units, eliminating gaps and possible dirt traps.

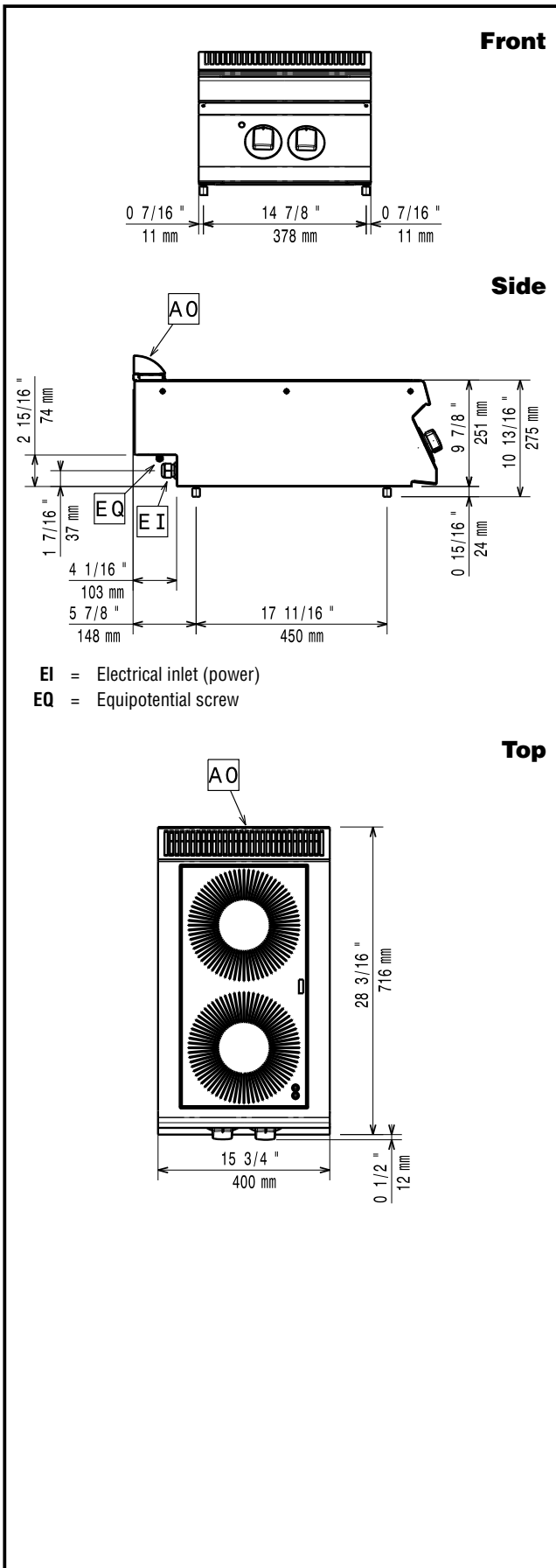
Sustainability

- Energy regulation of each zone.

APPROVAL: _____

Optional Accessories

- | | | |
|---|------------|--------------------------|
| • Junction sealing kit | PNC 206086 | <input type="checkbox"/> |
| • Support for bridge type installation, 800 mm | PNC 206137 | <input type="checkbox"/> |
| • Support for bridge type installation, 1000 mm | PNC 206138 | <input type="checkbox"/> |
| • Support for bridge type installation, 1200 mm | PNC 206139 | <input type="checkbox"/> |
| • Support for bridge type installation, 1400 mm | PNC 206140 | <input type="checkbox"/> |
| • Support for bridge type installation, 1600 mm | PNC 206141 | <input type="checkbox"/> |
| • Support for bridge type installation, 400 mm | PNC 206154 | <input type="checkbox"/> |
| • Frontal handrail 400 mm | PNC 206166 | <input type="checkbox"/> |
| • Frontal handrail 800 mm | PNC 206167 | <input type="checkbox"/> |
| • Large handrail (portioning shelf) 400 mm | PNC 206185 | <input type="checkbox"/> |
| • Large handrail (portioning shelf) 800 mm | PNC 206186 | <input type="checkbox"/> |
| • Frontal handrail 1200 mm | PNC 206191 | <input type="checkbox"/> |
| • Frontal handrail 1600 mm | PNC 206192 | <input type="checkbox"/> |
| • Right and left side handrails | PNC 206240 | <input type="checkbox"/> |
| • Water column extension | PNC 206291 | <input type="checkbox"/> |
| • Chimney upstand, 400 mm | PNC 206303 | <input type="checkbox"/> |
| • 2 side covering panels, height 250 mm, depth 700 mm | PNC 206320 | <input type="checkbox"/> |
| • Chimney grid net, 400mm | PNC 206400 | <input type="checkbox"/> |



Electric

Supply voltage:

| | |
|----------------------------|--------------------------|
| 372024 (Z7IRED2000) | 380-400 V/3N ph/50/60 Hz |
| 372133 (Z7IRED200N) | 230 V/3 ph/50/60 Hz |

Total Watts:

4.4 kW

Predisposed for:

| | |
|----------------------------|-----------------------------------|
| 372024 (Z7IRED2000) | 380-400V 3N~ 50/60Hz 3,7-4,4kW |
|----------------------------|-----------------------------------|

Key Information:

Front Plates Power: 2.2 - 0 kW

Back Plates Power: 2.2 - kW

Front Plates dimensions: Ø 230

Back Plates dimensions: Ø 230

Net weight: 15 kg

Shipping weight:

| | |
|----------------------------|-------|
| 372024 (Z7IRED2000) | 25 kg |
| 372133 (Z7IRED200N) | 27 kg |

Shipping height:

| | |
|----------------------------|--------|
| 372024 (Z7IRED2000) | 530 mm |
| 372133 (Z7IRED200N) | 540 mm |

Shipping width:

460 mm

Shipping depth:

820 mm

Shipping volume:

0.2 m³

If appliance is set up or next to or against temperature sensitive furniture or similar, a safety gap of approximately 150 mm should be maintained or some form of heat insulation fitted.

Certification group:

| | |
|----------------------------|-------|
| 372024 (Z7IRED2000) | N7CIE |
| 372133 (Z7IRED200N) | NIR74 |