



ACCESSORIES

EV0700

EV0900

ZANUSSI
PROFESSIONAL

INDEX

| | |
|---|-----------|
| ACCESSORIES FOR SPECIFIC FUNCTIONS | 4 |
| Accessories for gas ranges | 4 |
| Accessories for gas boiling top..... | 6 |
| Accessories for electric ranges..... | 6 |
| Accessories for induction ranges | 7 |
| Accessories for oven ranges | 8 |
| Accessories for fry tops..... | 9 |
| Accessories for grills | 11 |
| Accessories for multifunctional cookers..... | 14 |
| Accessories for fryers | 15 |
| Accessories for pasta cookers | 20 |
| Accessories for bain maries | 26 |
| Accessories for braising pans | 26 |
| Accessories for boiling pans | 27 |
| Accessories for cupboards and open bases..... | 29 |
| Accessories for refrigerated bases..... | 31 |
| | |
| ACCESSORIES FOR INSTALLATION..... | 32 |
| Covering panels..... | 32 |
| Handrails..... | 33 |
| Chimney upstands..... | 34 |
| Junction sealing kit | 34 |
| Stands / supports..... | 35 |
| Salamander support..... | 35 |
| Pot rack..... | 36 |
| Stainless steel plinths | 37 |
| Cover panels for service duct | 38 |
| Installation on 100 mm concrete plinth | 39 |
| Support for bridge installation..... | 40 |
| Cantilever supports | 41 |
| Wheels and flanged feet | 43 |
| Water columns | 44 |

ACCESSORIES FOR GAS RANGES



206264



206170



BURNER RADIANT PLATES

| RANGE | EVO700 | EVO900 |
|----------|-----------|----------------------|
| PNC | 206264 | 206170 |
| Plate | | only for 6kW burners |
| Material | cast iron | |

- Solid top mode for gas burners and simple service



PAIR OF CAST IRON GRIDS

| RANGE | EVO900 |
|----------|-----------|
| PNC | 206208 |
| Material | cast iron |

ACCESSORIES FOR GAS RANGES



206363

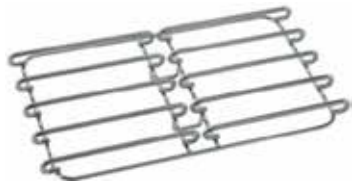


WOK SUPPORT

| RANGE | EVO700 and EVO900 |
|----------|-------------------|
| PNC | 206363 |
| Material | stainless steel |

- Wok pan support for open burners
- Except for 3-burner top 392024

206297
206298



TWIN-BURNER STAINLESS STEEL GRIDS

| RANGE | EVO700 | EVO900 |
|----------|-----------------|--------|
| PNC | 206297 | 206298 |
| Material | stainless steel | |

- Pans support for gas burners

ACCESSORIES FOR GAS BOILING TOP



206283



GROUND SUPPORT FOR 3-BURNER GAS BOILING TOP (392024)

| RANGE | EVO900 |
|----------|-----------------|
| PNC | 206283 |
| Material | stainless steel |

- Lets the 3-burner top 392024 be used like a stockpot

ACCESSORIES FOR ELECTRIC RANGES



206168
206056



CAST IRON BARS

| RANGE | EVO700 | EVO900 |
|----------|-----------|--------|
| PNC | 206168 | 206056 |
| Material | cast iron | |

- 2 cast iron bars to obtain 2 wider flat cooking zones
- EVO700 for hot square plates only

ACCESSORIES FOR INDUCTION RANGES



653596



653597



653598



INDUCTION PANS

| RANGE | EVO700 and EVO900 | | |
|-----------------|-------------------|-----------------|-----------------|
| PNC | 653596 | 653597 | 653598 |
| Material | stainless steel | aluminum | aluminum |
| Handle | stainless steel | stainless steel | stainless steel |
| Diameter | 200 mm | 240 mm | 280 mm |

910613



911587



911588



INDUCTION WOK PANS

| RANGE | EVO700 and EVO900 | | |
|-----------------|-------------------|-----------------|-----------------|
| PNC | 910613 | 911587 | 911588 |
| Material | steel | stainless steel | stainless steel |
| Handle | wood | stainless steel | - |
| Diameter | 360 mm | 360 mm | 360 mm |
| Height | 105 mm | 105 mm | - |

911000



911003



INDUCTION WOK PANS DESIGN IN LINE WITH WOK CUVETTE

| RANGE | EVO700 and EVO900 | |
|-----------------|-------------------|-----------------|
| PNC | 911000 | 911003 |
| Material | stainless steel | non-stick |
| Handle | stainless steel | stainless steel |
| Diameter | 360 mm | 360 mm |
| Height | 100 mm | 100 mm |

ACCESSORIES FOR OVEN RANGES



164250



CHROME GRID

| RANGE | EVO700 and EVO900 |
|----------|-------------------|
| PNC | 164250 |
| Oven | for static oven |
| Size | 2/1 GN |
| Material | chrome |

- 1 piece is included in standard delivery

206204



CHROME GRIDS

| RANGE | EVO900 |
|----------|----------------|
| PNC | 206204 |
| Oven | for large oven |
| Size | 972x687 mm |
| Material | chrome |

- For codes 392015 and 392016; 1 piece is included in standard delivery

ACCESSORIES FOR FRY TOPS



164255



206420

SCRAPERS

| RANGE | EVO700 and EVO900 | |
|--------|-------------------|--------------|
| PNC | 164255 | 206420 |
| Use on | smooth plate | ribbed plate |

- 1 or 2 pieces, according to the surface type, is included in the standard delivery for the EVO700 and EVO900 chrome plated models

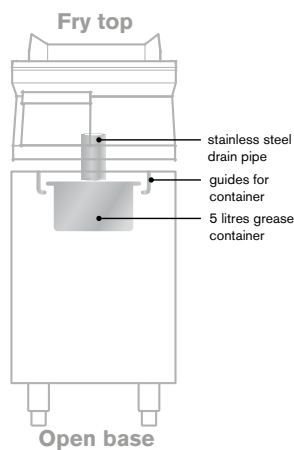
206346



GREASE CONTAINER

| RANGE | EVO700 and EVO900 |
|-------|-------------------|
| PNC | 206346 |

- Includes containers, guides, stainless steel drain pipe to convey the grease/oil from the fry top cooking surface to the container and front closing panel
- To be used with top, cupboard and open base



ACCESSORIES FOR FRY TOPS



206296



STOPPER

| RANGE | EVO700 | EVO900 |
|----------|-----------------|--------|
| PNC | 206453 | 206296 |
| Material | stainless steel | |

- Stopper for fry top with horizontal plate - used to keep the grease released by the food on the frying plate

206153



WATER DRAINS

| RANGE | EVO900 | | |
|-----------------|--------|--------|---------|
| PNC | 206153 | 216153 | 206345 |
| Appliance width | 400 mm | 800 mm | 1200 mm |

216153



206345



206455



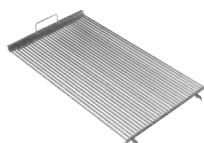
CLOCHE

| RANGE | EVO700 and EVO900 |
|----------|-------------------|
| PNC | 206455 |
| Material | stainless steel |

ACCESSORIES FOR GRILLS



206408



GRIDS FOR FREESTANDING GAS GRILLS

| RANGE | EVO700 | | EVO900 | |
|-----------------|-----------------|--------|--------|--------|
| PNC | 206414 | 206410 | 206408 | 206404 |
| Appliance width | 400 mm | 800 mm | 400 mm | 800 mm |
| Material | stainless steel | | | |

- Grills are equipped with cast-iron grids with drainage channels as standard

206415



GRIDS WITH DRAIN CHANNELS FOR FREESTANDING GRILLS

| RANGE | EVO700 | | EVO900 | |
|-----------------|-----------------|--------|--------|--------|
| PNC | 206415 | 206411 | 206409 | 206405 |
| Appliance width | 400 mm | 800 mm | 400 mm | 800 mm |
| Material | stainless steel | | | |

- Grills are equipped with cast-iron grids with drainage channels as standard

206415



206418



GRIDS WITH DRAIN CHANNELS FOR TOP GRILLS

| RANGE | EVO700 | | |
|-----------------|-----------------|--------|---------|
| PNC | 206415 | 206416 | 206418* |
| Appliance width | 400 mm | 800 mm | 400 mm |
| Material | stainless steel | | |
| Note | grid | grid | support |

- Grills are equipped with cast-iron grids with drainage channels as standard
- *Applied to the splashguard as a support to adjust the inclination of the grid. Order 2 pieces for 800 mm unit
- Except for electric HP grill

ACCESSORIES FOR GRILLS



206422

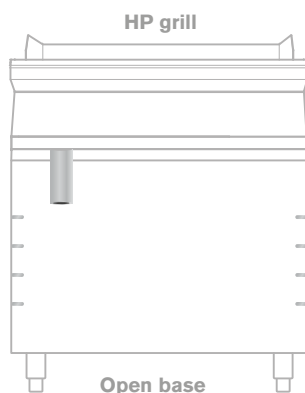


SCRAPERS FOR STANDARD AND HP GRILLS

| RANGE | | EVO700 and EVO900 | | |
|-----------------------|--------------------------------------|-------------------|-------------------|-------------|
| PNC | 206421 | 206422 | 206347 | 206436 |
| Grid type | stainless steel with drain channels* | cast iron | cast iron | steel |
| Appliance type | standard | standard | HP gas | HP electric |
| Included | | • | | • |
| Note | scraper | scraper | scraper with hook | scraper |

*Note: this accessory refers to stainless steel grids (available as an optional accessory for standard grills)

206437



DRAIN EXTENSION FOR HP ELECTRIC GRILLS

| RANGE | | EVO700 and EVO900 |
|-----------------|--|-------------------|
| PNC | 206437 | |
| Material | stainless steel | |
| Note | to be used with 206257 (EVO700) or 206145 (EVO900) | |

- To be used as an alternative to standard drain together with a GN container to be ordered separately
- Water container capacity should be:
 - 4,5 l for 1/2 module EVO700
 - 8,8 l for 1 module EVO700
 - 12,7 l for 1+1/2 module EVO700
 - 6,7 l for 1/2 module EVO900
 - 13 l for 1 module EVO900
 - 20 l for 1/2 module EVO900

ACCESSORIES FOR GRILLS



206280



WATER FILLING TAPS

| RANGE | EVO700 and EVO900 | |
|-----------------|-------------------|--------|
| PNC | 206280 | 206281 |
| Appliance width | 400 mm | 800 mm |

- For gas and electric freestanding grills

206434



HEAT DEFLECTORS

| RANGE | EVO700 | EVO900 |
|--------------------|-------------------|-------------------|
| PNC | 206434 | 206435 |
| Appliance typology | Electric HP grill | Electric HP grill |

- Delivered as standard with Electric HP grills

921024



COOKING GRIDS

| RANGE | EVO700 | EVO900 |
|--------------------|-------------------|-------------------|
| PNC | 921024 | 921025 |
| Appliance typology | Electric HP grill | Electric HP grill |

- Delivered as standard with Electric HP grills

ACCESSORIES FOR MULTIFUNCTIONAL COOKERS



921689



921690



LIDS

| RANGE | EVO700 and EVO900 | |
|-----------------|-------------------|--------|
| PNC | 921689 | 921690 |
| Appliance width | 400 mm | 800 mm |

- For gas and electric multifunctional cookers

164255



921694



SCRAPERS

| RANGE | EVO700 and EVO900 | |
|-------|-------------------|-----------------------------|
| PNC | 164255 | 921694 |
| Note | scraper | blades with rounded corners |

- Included in standard delivery

ACCESSORIES FOR FRYERS



960638



921608



BASKETS FOR GAS AND ELECTRIC FRYERS

| RANGE | EV0700 | |
|---------------------------|---------------|---------------|
| PNC | 960638 | 921608 |
| Quantity | 2 | 1 |
| Size | half | full |
| Appliance typology | 2x5 and 7 l | 7 l |

- 960638 is included in standard delivery

921629



921691



921692



BASKETS FOR GAS AND ELECTRIC FRYERS

| RANGE | EV0700 | | |
|---------------------------|---------------|---------------|---------------|
| PNC | 921629 | 921691 | 921692 |
| Quantity | 1 | 1 | 2 |
| Size | full | full | half |
| Appliance typology | 12 l | 14 and 15 l | 14 and 15 l |

- 921629 is included in standard delivery

ACCESSORIES FOR FRYERS



BASKETS FOR GAS AND ELECTRIC FRYERS

| RANGE | EVO700 and EVO900 | | EVO700 |
|--------------------|----------------------|-------------------------------------|-------------------|
| PNC | 921691 | 921692 | 206196 |
| Quantity | 1 | 2 | 1 |
| Size | full | half | full |
| Included | 1 | 1 for programmable | - |
| Appliance typology | 14 and 15 l standard | 14 and 15 l standard & programmable | 15 l programmable |

BASKETS FOR GAS AND ELECTRIC FRYERS

| RANGE | EVO900 | | | |
|--------------------|-------------|-------------|--------------------|--------|
| PNC | 927223 | 927226 | 927200 | 927201 |
| Quantity | 2 | 1 | 2 | 1 |
| Size | half | full | half | full |
| Appliance typology | 18 and 23 l | 18 and 23 l | 18 l | 18 l |
| | standard | | with a front hook* | |

- 927223 is included in standard delivery
- * Can be used to block baskets on the top for oil dripping

ACCESSORIES FOR FRYERS



206235



921023

SEDIMENT TRAYS

| RANGE | EVO700 and EVO900 | EVO900 |
|--------------------|-------------------|--------|
| PNC | 206235 | 921023 |
| Appliance typology | 15 l | 23 l |

- For freestanding V-shape fryers

921695



927227



UNCLOGGING RODS

| RANGE | EVO700 and EVO900 | EVO900 |
|--------------------|-------------------|--------|
| PNC | 921695 | 927227 |
| Appliance typology | 15 l | 23 l |

- For drain pipe of freestanding V-shape fryers

921693

206359



200086

OIL FILTER FOR FREESTANDING FRYERS

| RANGE | EVO700 and EVO900 | EVO900 | |
|--------------------|---------------------------------|-----------|--------|
| PNC | 921693 | 206359 | 200086 |
| Appliance typology | 7, 2x7, 14, 2x14, 15 and 2x15 l | 18, 23* l | 23 l** |
| Material | stainless steel | | |

- * Only for Gas Tube model PNC 392084

- **All 23 l fryers except the Gas Tube model

ACCESSORIES FOR FRYERS



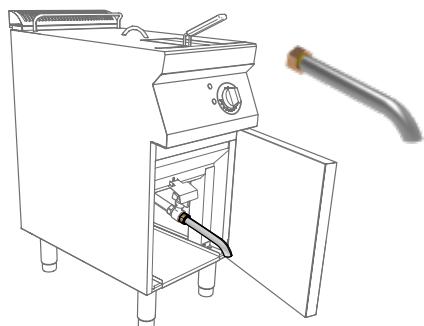
200086



200084
200085



206209
206301



200087



ADVANCED FILTRATION SYSTEM

| RANGE | EVO900 | | |
|--------------------|----------------------------------|-----------------|--------|
| PNC | 200086 | 200084* | 200085 |
| Appliance typology | 23 l with oil recirculation pump | | |
| Material | stainless steel | stainless steel | paper |
| Included FOR 23 l | • | - | - |

- * Kit for paper filter: mandatory for using paper filter

EXTENSION FOR OIL DRAINAGE

| RANGE | EVO700 and EVO900 | EVO900 |
|--------------------|-------------------|--------|
| PNC | 206301 | 206209 |
| Appliance typology | 15 l | 23 l |

- Compulsory when the fryer is installed on plinth

EXTENSION WITH PUMP FOR OIL DRAINAGE

| RANGE | EVO900 |
|--------------------|---|
| PNC | 200087 |
| Material | Highly resistant elastomer with stainless steel extremities |
| Appliance typology | 23 l with oil recirculation pump |

ACCESSORIES FOR FRYERS



921696



960645



206201



200171



DEFLECTORS

| RANGE | EV0700 and EV0900 | EV0900 |
|--------------------|-------------------|--------|
| PNC | 921696 | 960645 |
| Appliance typology | 15 l | 23 l |

- For floured products for freestanding V-shape fryers
- The deflector is lying on the inclined part of the well, in order to avoid the bread or flour released by the products to lie there and get burned.

HYGIENIC LID FOR FRYERS

| RANGE | EV0900 |
|--------------------|--------|
| PNC | 206201 |
| Appliance typology | 23 l |

- Standard lid delivered as standard for the 23 litres fryer model.

LID FOR OIL CONTAINER

| RANGE | EV0900 |
|--------------------|--------|
| PNC | 200171 |
| Appliance typology | 23 l |

ACCESSORIES FOR PASTA COOKERS



921611



921610



921619



206381



BASKETS

| RANGE | EVO700 | |
|--------------------|----------------------|----------------------|
| PNC | 921611 | 921610 |
| Quantity | 1 | 2 |
| Size | 350x220 mm | 170x220 mm |
| Appliance typology | 24.5 and 24.5+24.5 l | 24.5 and 24.5+24.5 l |

- Baskets are not included as standard; only exception is programmable pasta cooker with automatic lifting (code 372100)

BASKETS

| RANGE | EVO700 |
|--------------------|----------------------|
| PNC | 921619 |
| Quantity | 2 |
| Size | 105x350 mm |
| Appliance typology | 24.5 and 24.5+24.5 l |

- Baskets are not included as standard; only exception is programmable pasta cooker with automatic lifting (code 372100)

BASKET SUPPORT FOR PASTA COOKER

| RANGE | EVO700 |
|--------------------|----------------------|
| PNC | 206381 |
| Quantity | 1 |
| Size | 290x85 mm |
| Appliance typology | 24.5 and 24.5+24.5 l |

- To be used with 921619

ACCESSORIES FOR PASTA COOKERS



921020



921021



921022



BASKETS AND SUPPORT FOR BASKETS

| RANGE | EV0700 | | |
|-----------------------------|----------------------|----------------------|----------------------|
| PNC | 921020 | 921021 | 921022 |
| Quantity | 2 | 2 | 1 |
| Max nr. of baskets per well | 4 | 6 | - |
| Size | 105x160 mm | 105x105 mm | 230x350 mm |
| Appliance typology | 24.5 and 24.5+24.5 l | 24.5 and 24.5+24.5 l | 24.5 and 24.5+24.5 l |
| Note | baskets | baskets | support h 60 mm |

- Baskets are not included as standard; only exception is programmable pasta cooker with automatic lifting (code 372100)
- Support is mandatory

ACCESSORIES FOR AUTOMATIC PASTA COOKERS



206312



206314



206362



BASKETS FOR AUTOMATIC PASTA COOKER

| RANGE | EV0700 | | |
|--------------------|------------------------|------------|------------------|
| PNC | 206312 | 206314 | 206362 |
| Quantity | 2 | 2 | 1 |
| Size | 115x163 mm | 105x350 mm | 350x230 mm |
| Appliance typology | automatic pasta cooker | | |
| Note | baskets | baskets | support h 147 mm |

- Support is recommended

ACCESSORIES FOR PASTA COOKERS



206433



206237



BASKETS

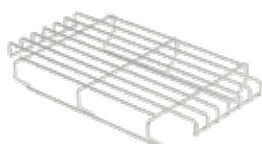
| RANGE | EVO900 | |
|-----------------------------|------------------------------------|------------------------------------|
| PNC | 206433 | 206237 |
| Quantity | 2 | 1 |
| Max nr. of baskets per well | 6 | 2 |
| Size | 130x130 mm 6 fit in a 40 l well | 135x310 mm 2 fit in a 40 l well |
| Appliance typology | 40 and 40+40 l | 40 and 40+40 l |

- Code 206238 compulsory for: 206433 and 206237

206233



206238



BASKETS AND SUPPORT FOR BASKETS

| RANGE | EVO900 | |
|--------------------|-----------------------------|----------------|
| PNC | 206233 | 206238 |
| Quantity | 1+2 | 1 |
| Size | 1x 1/3 GN + 2x135x310 mm | 295x505 mm |
| Appliance typology | 40 and 40+40 l | 40 and 40+40 l |
| Note | baskets | support |

- Code 206238 compulsory for: 206233

927216



927211



927210



BASKETS

| RANGE | EVO900 | | |
|--------------------|-------------------|-------------------|-------------------|
| PNC | 927216 | 927211 | 927210 |
| Quantity | 1 | 2 | 3 |
| Size | 1/1 GN | 1/2 GN | 1/3 GN |
| Appliance typology | 40 and 40+40 l | 40 and 40+40 l | 40 and 40+40 l |

ACCESSORIES FOR PASTA COOKERS



927212



927213



927219



960644



ROUND BASKETS

| RANGE | | EV0900 | |
|---------------------------|----------------|----------------|--|
| PNC | 927212 | 927213 | |
| Quantity | 3 | 6 | |
| Size | Ø 181 mm | Ø 145 mm | |
| Appliance typology | 40 and 40+40 l | 40 and 40+40 l | |

SUPPORTS FOR 40 L PASTA COOKERS

| RANGE | | EV0900 | |
|-------------|---|---|--|
| PNC | 927219 | 960644 | |
| Size | 290x500x115 mm | 330x535x10 mm | |
| Note | grid support for round baskets (compulsory for 927212 and 927213) | support frame to hold 6 round baskets (alternative to 927219) | |

ACCESSORIES FOR PASTA COOKERS



921607



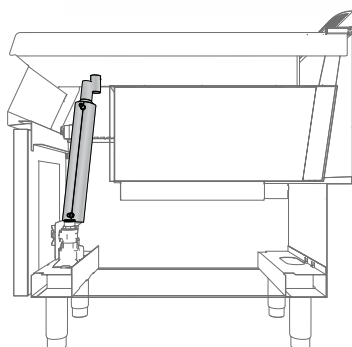
206190



LIDS AND LID HOLDER

| RANGE | EVO700 | EVO900 |
|---------------------------|--------------------------|--------------------|
| PNC | 921607 | 206190 |
| Appliance typology | 24.5 l and 24.5 + 24.5 l | 40 l and 40 + 40 l |
| Note | lid | lid and lid holder |

206344



ENERGY SAVING DEVICE

| RANGE | EVO700 and EVO900 |
|-------------|-------------------|
| PNC | 206344 |
| Note | 1 per well needed |

- Used to preheat fresh water to refill the well, thus saving energy

ACCESSORIES FOR PASTA COOKERS

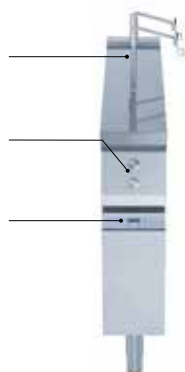


206354

2 Lifting arms

Push-buttons for manual use or cooking cycle start

User interface (9 programs storable)



PROGRAMMABLE BASKET LIFTING UNIT

| RANGE | EV0700 |
|-----------|-------------|
| PNC | 206354 |
| Dimension | 200 mm wide |

AVAILABLE BASKETS



921610 - 2 baskets 170x220 mm
see page 20



921020 - 2 baskets 156x172 mm
see page 21



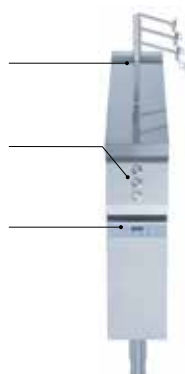
206396 - frame/support for 2 single portion baskets for 921020

206355

3 Lifting arms

Push-buttons for manual use or cooking cycle start

User interface (9 programs storable)



PROGRAMMABLE BASKET LIFTING UNIT

| RANGE | EV0900 |
|-----------|-------------|
| PNC | 206355 |
| Dimension | 200 mm wide |

AVAILABLE BASKETS



927210 - 3 X 1/3GN baskets
see page 22



206433 - 2 basket 130x130 mm
see page 22



206395 - frame/support for 2 single portion baskets for 206433

ACCESSORIES FOR BAIN MARIES



921622



DRILLED FALSE BOTTOMS

| RANGE | EVO700 and EVO900 | |
|-----------------|-------------------|--------|
| PNC | 921622 | 921623 |
| Appliance width | 400 mm | 800 mm |

921627



WATER FILLING TAP

| RANGE | EVO700 and EVO900 | |
|----------|-------------------|--|
| PNC | 921627 | |
| Material | stainless steel | |

- Flush installation of GN container in proximity of the tap in the bain-marie is not possible. To maintain full GN compatibility with a water filling tap, it is suggested to install a work top with water column next to the bain-marie

ACCESSORIES FOR BRAISING AND BOILING PANS



922403



TROLLEY WITH LIFTING AND REMOVABLE TANK

| RANGE | EVO700 and EVO900 | |
|----------|-------------------|--|
| PNC | 922403 | |
| Material | stainless steel | |

ACCESSORIES FOR BOILING PANS



921626



BASKET

| RANGE | | EVO700 and EVO900 |
|--------------------|--|-------------------|
| PNC | | 921626 |
| Appliance typology | | 60 l |
| Note | | 1-section basket |

- To make your boiling pan work as a pasta cooker!

925018



BASKET

| RANGE | | EVO900 |
|--------------------|--|----------------------------|
| PNC | | 925018 |
| Appliance typology | | 100 l |
| Note | | 2-section universal basket |

- To make your boiling pan work as a pasta cooker!

925019



BASKET

| RANGE | | EVO900 |
|--------------------|--|----------------------------|
| PNC | | 925019 |
| Appliance typology | | 150 l |
| Note | | 2-section universal basket |

- To make your boiling pan work as a pasta cooker!

ACCESSORIES FOR BOILING PANS



206279



AUTOMATIC DEPRESSURIZATION KIT

| RANGE | EVO900 |
|--------------------|---------------|
| PNC | 206279 |
| Appliance typology | 100 and 150 l |

- For indirect heating boiling pans (double jacketed)
- If not installed: depressurization of the double-jacket must be done manually

927222



WATER ADDITIVE AGAINST CORROSION

| RANGE | EVO700 and EVO900 |
|--------------------|--------------------------------|
| PNC | 927222 |
| Appliance typology | 100 and 150 l indirect heating |

- For indirect heating boiling pans
- 1 container of water additive against corrosion is already included in the standard appliances delivery

927001



MEASURING RODS

| RANGE | EVO900 | | |
|--------------------|--------|--------|--------|
| PNC | 927000 | 927001 | 927002 |
| Appliance typology | 60 l | 100 l | 150 l |

ACCESSORIES FOR CUPBOARDS AND OPEN BASES



206342



DOOR FOR OPEN BASE

| | |
|--------------|--------------------------|
| RANGE | EVO700 and EVO900 |
| PNC | 206342 |

- Same for left and right-side door

206259



ELECTRIC HEATING KIT FOR CUPBOARD

| | |
|-----------------------|--------------------------|
| RANGE | EVO700 and EVO900 |
| PNC | 206259 |
| Size | 360x510x60 mm |
| Electric conn. | 230V 1ph 50/60 Hz |
| Power | 0.65 kW |

- To be fixed on the bottom of the base
- The base has to be with doors and can not be used as holding cabinet for food
- Only in combination with gas cookers and ambient worktops

206245



CENTRAL SUPPORT

| | |
|--------------|--|
| RANGE | EVO700 and EVO900 |
| PNC | 206245 |
| Note | central support for installation of drawers and grids (on 800/1200 mm bases) and of doors (on 1200 mm bases) |

- Needed for installation of drawers and grid runners (1 piece for 800 mm)
- Needed for installation of drawers and grid runners (2 pieces for 1200 mm) or only doors (1 piece for 1200 mm)

ACCESSORIES FOR CUPBOARDS AND OPEN BASES



206244



SUPPORTS WITH SIDE RUNNERS

| RANGE | EVO700 | | EVO900 |
|-------------|---|--|---|
| PNC | 206257 | 206244 | 206145 |
| Note | 2 supports with side runners for 4 GN 1/1 containers for open base 371112, 37111, 371114, 371263, 371264 and 371265 | 2 supports with side runners for 4 GN 1/1 containers for cupboards | 2 supports with side runners for 4 GN 1/1 containers for open base or cupboards |

206360



DRAWERS

| RANGE | EVO700 | EVO900 |
|-----------------|--------|--------|
| PNC | 206360 | 206361 |
| Quantity | 2 | 2 |
| Height | 100 mm | 100 mm |

ACCESSORIES FOR REFRIGERATED BASES



206348



DRAWERS

| | |
|-----------------|---------------|
| RANGE | EV0700 |
| PNC | 206348 |
| Quantity | 2 |

Note: only for versions with drawers. Guides are included.

INSTALLATION ACCESSORIES

COVERING PANELS

206319
206335



206320
206321



206373



AESTHETICAL SIDE COVERING PANELS

| RANGE | EVO700 | EVO900 |
|---------------------------|-----------------------------|-----------------------------|
| PNC | 206319 | 206335 |
| Appliance typology | freestanding 700 mm high | freestanding 700 mm high |
| PNC | 206320 | 206321 |
| Appliance typology | top 250 mm high | top 250 mm high |

- The code includes 2 side covering panels

REAR COVERING PANELS

| RANGE | EVO700 and EVO900 | | | |
|-------------|-------------------|---------------|---------------|---------------|
| PNC | 206373 | 206374 | 206375 | 206376 |
| Size | 600 mm | 800 mm | 1000 mm | 1200 mm |

- For island installation to cover the back of the appliances

INSTALLATION ACCESSORIES

HANDRAILS



FRONT HANDRAILS 50 MM DEPTH

| RANGE | EVO700 and EVO900 | | | |
|-------|-------------------|--------|---------|---------|
| PNC | 206166 | 206167 | 206191 | 206192 |
| Size | 400 mm | 800 mm | 1200 mm | 1600 mm |

BACK HANDRAILS 50MM DEPTH

| RANGE | EVO700 and EVO900 | |
|-------|-------------------|---------|
| PNC | 206308 | 206309 |
| Size | 800 mm | 1200 mm |

- To be used for island installation

SIDE HANDRAILS 50 MM DEPTH

| RANGE | EVO700 | EVO900 |
|-------|----------------------------------|----------------------------------|
| PNC | 206240 | 206165 |
| Note | 2 pieces: right and left side | 2 pieces: right and left side |

PORTIONING SHELVES 140 MM DEPTH

| RANGE | EVO700 and EVO900 | |
|-------|-------------------|--------|
| PNC | 206185 | 206186 |
| Size | 400 mm | 800 mm |

Note: none can be mounted to EVO700 induction and infrared units

INSTALLATION ACCESSORIES

CHIMNEY UPSTANDS



CHIMNEY UPSTANDS

| RANGE | EVO700 and EVO900 | | | | |
|-------|-------------------|--------|--------|---------|---------|
| PNC | 206302 | 206303 | 206304 | 206305 | 206306 |
| Width | 200 mm | 400 mm | 800 mm | 1000 mm | 1200 mm |

206400



CHIMNEY GRID NETS

| RANGE | EVO700 and EVO900 | | | |
|-------|-------------------|--------|--------|--------|
| PNC | 206399 | 206400 | 206402 | 206403 |
| Width | 200 mm | 400 mm | 500 mm | 590 mm |

- Chimney grid nets can be used on standard chimneys or on chimney upstands.
- Number of chimney grid nets depends on EVO units chimney dimension.
- In some case more than 1 grid net is needed to cover the chimney.

INSTALLATION ACCESSORIES

JUNCTION SEALING KIT

206086



JUNCTION SEALING KIT

| RANGE | EVO700 and EVO900 |
|-------|--|
| PNC | 206086 |
| Note | junction sealing kit to fill any possible gap between side-by-side appliances and prevent from any dirt infiltration |

INSTALLATION ACCESSORIES

STANDS / SUPPORTS

206183



STAND / SUPPORTS (SHELVES)

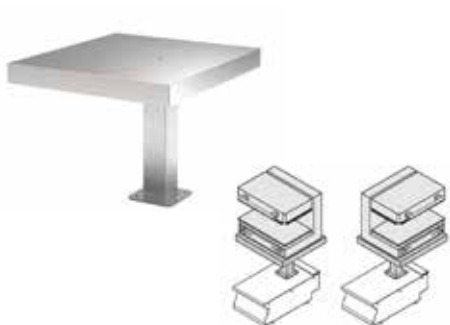
| RANGE | EVO900 | |
|-------|--|--------|
| PNC | 206183 | 206184 |
| Width | 400 mm | 800 mm |
| Note | to be installed on the neutral work tops | |

- Can not be used with Salamanders

INSTALLATION ACCESSORIES

SALAMANDER SUPPORT

206476



SALAMANDER SUPPORT

| RANGE | EVO700 and EVO900 |
|-------|--|
| PNC | 206476 |
| Width | 610 mm |
| Note | to be installed on 400mm neutral work tops without drawers |

- Can be rotated according to your layout

INSTALLATION ACCESSORIES - POT RACK 5 PNC'S - MULTIPLE CONFIGURATIONS

206473



206471



206474



206473



206475



SUPPORTING COLUMNS ON NEUTRAL ELEMENTS

| RANGE | | EVO700 and EVO900 | | |
|--------------|------------------|-------------------|---------------------|--|
| PNC | 206473 | 206471 | 206474 | |
| Width | 200 mm (side) | 400 mm (side) | 400 mm (central) | |

- Can not be used with Salamanders
- Neutral elements can be with or without drawers

EXTENSION ELEMENT

| RANGE | | EVO700 and EVO900 | |
|--------------|--|-------------------|--|
| PNC | 206472 | | |
| Width | 400 mm | | |
| Note | to be installed between supporting columns | | |

- Create the length desired using the number of extension elements desired. If installing more than 4 extension elements (206472), the central support column (206474) is required
- Can not be used with Salamanders

SIDE WALL MOUNTING BRACKET

| RANGE | | EVO700 and EVO900 | |
|--------------|-------------------------------------|-------------------|--|
| PNC | 206475 | | |
| Width | 300 mm | | |
| Note | used to mount pot rack to side wall | | |

- Can not be used with Salamanders

Note: Pot rack cannot be installed on gas units with chimney or units with lid that can interfere. Use the NEW configurator for more details. Image shows an example of a pot rack configuration and the salamander support (cod. 206476).

INSTALLATION ACCESSORIES

STAINLESS STEEL PLINTHS



FRONTAL KICKING STRIPS

| RANGE | EVO700 and EVO900 | | | | | |
|---------------------------|-------------------|---------------|---------------|---------------|---------------|---------------|
| PNC | 206174 | 206175 | 206176 | 206177 | 206178 | 206179 |
| Width | 200 mm | 400 mm | 800 mm | 1000 mm | 1200 mm | 1600 mm |
| Appliance typology | all* | all* | all* | all* | all* | all* |

- * Except 23 l fryer

FRONTAL KICKING STRIPS

| RANGE | EVO900 |
|---------------------------|---------------|
| PNC | 206203 |
| Appliance typology | 23 l fryers |

SIDE KICKING STRIPS

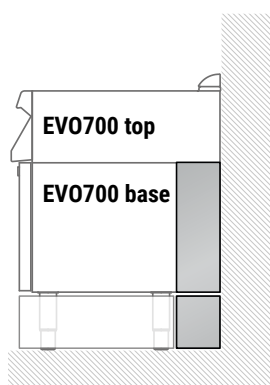
| RANGE | EVO700 | EVO900 |
|---------------------------|---------------|---------------|
| PNC | 206249 | 206180 |
| Width | 700 mm | 900 mm |
| Appliance typology | all | all |

Kicking strips final effect



- Front and side kicking strips are aesthetical and hygienic elements, but they do not support the appliance's weight (that is the feet's task)
- Front kicking strips can be mounted on the back side if needed

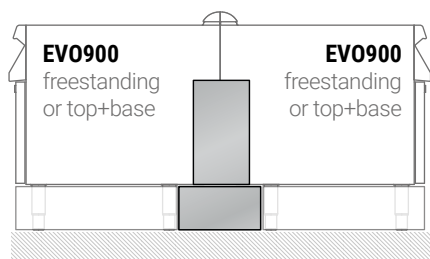
COVER PANELS FOR SERVICE DUCT



KIT OF PANELS FOR SERVICE DUCT

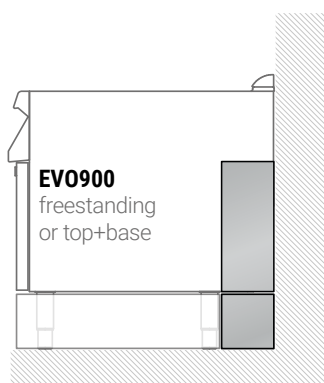
| RANGE | EVO700 |
|-------|---|
| PNC | 206248 |
| Note | kit of panels for service duct for installation top on base |
| Size | 300x40x160 mm |

- Freestanding versions of EVO700 are without service duct
- Service duct cover panels are not needed in case aesthetical cover panels (code 216000) are ordered



KIT OF PANELS FOR SERVICE DUCT

| RANGE | EVO900 |
|-------|--|
| PNC | 206202 |
| Note | kit of panels for service duct for back to back installation |
| Size | 900x20x150 mm |

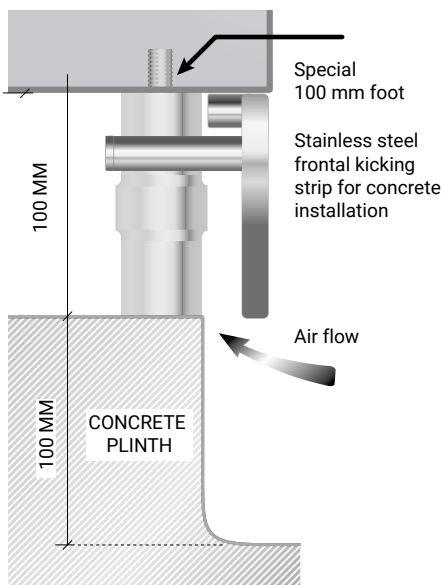


KIT OF PANELS FOR SERVICE DUCT

| RANGE | EVO900 |
|-------|---|
| PNC | 206181 |
| Note | kit of panels for service duct for installation top on base or for freestanding units |
| Size | 300x40x160 mm |

- Service duct cover panels are not needed in case aesthetical cover panels (code 216134) are ordered

INSTALLATION ON 100 MM CONCRETE PLINTH



SPECIAL FEET FOR CONCRETE INSTALLATION

| | |
|---------------------------|--|
| RANGE | EVO700 and EVO900 |
| PNC | 206210 |
| Appliance typology | Except for: EVO900 programmable fryers |

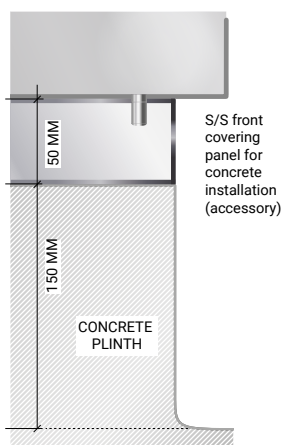
- 1 kit per appliance
- The concrete plinth must be 100 mm high in order to have the worktop at 900 mm height: special feet for concrete installation are adjustable in height from 85 mm to 135 mm
- Concrete installation is not possible for ref-freezer base

FRONTAL KICKING STRIPS

| | | | | | | |
|--------------|--------------------------|---------------|---------------|---------------|---------------|---------------|
| RANGE | EVO700 and EVO900 | | | | | |
| PNC | 206146 | 206147 | 206148 | 206150 | 206151 | 206152 |
| Width | 200 mm | 400 mm | 800 mm | 1000 mm | 1200 mm | 1600 mm |

SIDE KICKING STRIPS

| | | |
|--------------|---------------|---------------|
| RANGE | EVO700 | EVO900 |
| PNC | 206265 | 206157 |



SPECIAL EXECUTION FOR INSTALLATION ON CONCRETE PLINTH H=150MM AVAILABLE ON REQUEST

| | |
|--------------|--------------------------|
| RANGE | EVO700 and EVO900 |
|--------------|--------------------------|

- To be requested as special execution
- Special frame for installation
- Available for all appliances except for ref-freezer base (code 729631) and some limitations for freestanding fryers due to the oil collection

SUPPORT FOR BRIDGE INSTALLATION



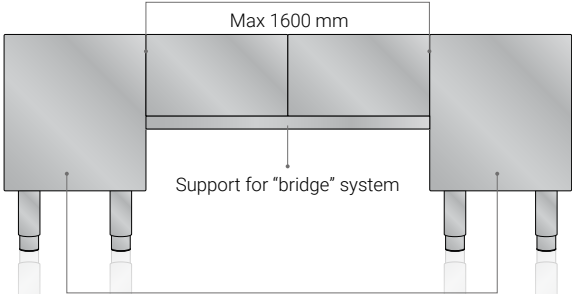
206137



SUPPORTS FOR BRIDGE INSTALLATION

| RANGE | EVO700 and | | | | | |
|-------|------------|--------|---------|---------|---------|---------|
| PNC | 206154 | 206137 | 206138 | 206139 | 206140 | 206141 |
| Width | 400 mm | 800 mm | 1000 mm | 1200 mm | 1400 mm | 1600 mm |

- Only for top appliances

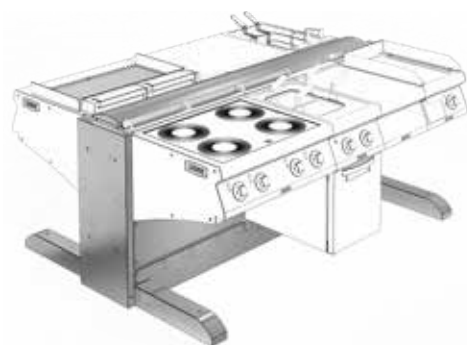


400/800 mm freestanding or "top on base" appliances (it is recommended to use flanged feet for 400 mm appliances)

- **Note:** Bridge configuration is now available in NEW configurator. Bridge installation is not possible onto a braising pan

INSTALLATION ACCESSORIES

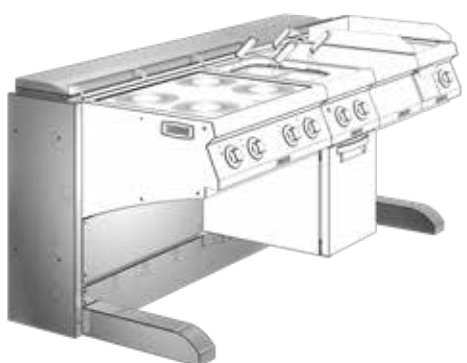
CANTILEVER SUPPORTS AND PANELS



CENTRAL SUPPORTS WITH SERVICE DUCT

| RANGE | EVO700 and EVO900 | | | | |
|-------|-------------------|---------|---------|---------|---------|
| PNC | 206477 | 206478 | 206479 | 206480 | 206481 |
| Size | 2000 mm | 2400 mm | 2800 mm | 3200 mm | 3600 mm |

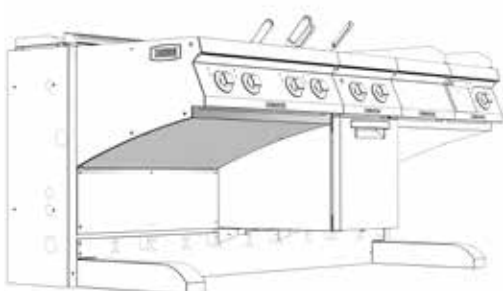
- Includes support frame, cover panels of central column, lower frontal cover panels of the support frame, top cover panel and feet



WALL TYPE SUPPORTS WITH SERVICE DUCT

| RANGE | EVO700 and EVO900 | | | | |
|-------|-------------------|---------|---------|---------|---------|
| PNC | 206482 | 206483 | 206484 | 206485 | 206486 |
| Size | 2000 mm | 2400 mm | 2800 mm | 3200 mm | 3600 mm |

- Special frame for wall installation
- Includes support frame, cover panels of central column, lower frontal cover panels of the support frame, top cover panel and feet



UNDERCOVER PANELS

| RANGE | EVO700 | | | |
|-------|--------|--------|--------|---------|
| PNC | 206487 | 206488 | 206489 | 206490 |
| Size | 200 mm | 400 mm | 800 mm | 1200 mm |

| RANGE | EVO900 | | | |
|-------|--------|--------|--------|---------|
| PNC | 206491 | 206492 | 206493 | 2006494 |
| Size | 200 mm | 400 mm | 800 mm | 1200 mm |

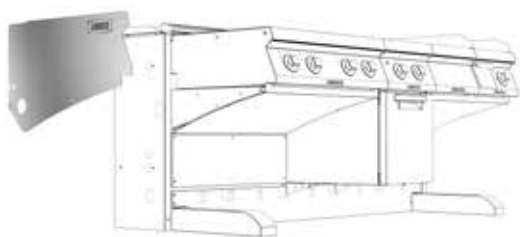
UNDERCOVER PANELS FOR INDUCTION UNITS

| RANGE | EVO900 | |
|-------|--------|--------|
| PNC | 206503 | 206504 |
| Size | 400 mm | 800 mm |

Note: Ask your local Zanussi Sales representative for the NEW Cantilever Configurator. Cantilever installation is possible with all EVO top and monoblock units excluding refrigerated bases

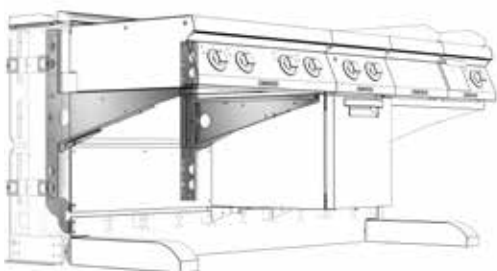
INSTALLATION ACCESSORIES

CANTILEVER COVER PANELS AND SUPPORT BARS



2 AESTHETIC SIDE COVER PANELS

| RANGE | EVO700 | EVO900 |
|-------|--------|--------|
| PNC | 206498 | 206501 |



2 SUPPORT BARS FOR TOP UNITS

| RANGE | EVO700 | EVO900 |
|-------|--------|--------|
| PNC | 206495 | 206496 |



KIT TO INSTALL FREESTANDING UNITS ON CANTILEVER

| RANGE | EVO700 and EVO900 |
|-------|-------------------|
| PNC | 206506 |

KIT TO INSTALL OPEN BASES 200MM, FRY TOP HP 1200MM AND BRAISING PANS ON CANTILEVER

| RANGE | EVO700 and EVO900 |
|-------|-------------------|
| PNC | 206507 |

KIT TO CONNECT ADDITIONAL CANTILEVER STRUCTURES

| RANGE | EVO700 and EVO900 |
|-------|-------------------|
| PNC | 206508 |

Note: Ask your local Zanussi Sales representative for the NEW Cantilever Configurator

INSTALLATION ACCESSORIES

WHEELS AND FLANGED FEET

206135



WHEELS

| RANGE | EVO700 and EVO900 | |
|-----------|-----------------------------|-----------------------------|
| PNC | 206135 | 206432 |
| Appliance | 4 wheels (2 with brakes) | 6 wheels (3 with brakes) |

SUPPORTS FOR HYGIENIC INSTALLATION ON FEET OR WHEELS - CROSSWISE

| RANGE | EVO700 and EVO900 | | | | | |
|--------------------|-------------------|--------|--------|---------|---------|---------|
| PNC | 206366 | 206431 | 206367 | 206368 | 206369 | 206370 |
| Appliance typology | all* | all* | all* | all* | all* | all* |
| Width | 400 mm | 600 mm | 800 mm | 1200 mm | 1600 mm | 2000 mm |

- *Except EVO700 6 burner range with large oven and EVO900 23 l fryers and pasta cookers (see lengthwise supports below)
- Not for top appliances

SUPPORTS FOR HYGIENIC INSTALLATION ON FEET OR WHEELS - LENGTHWISE

| RANGE | EVO700 | | EVO900 | |
|-----------|--------------------------------|------------|------------|-------------------------------|
| PNC | 206371 | 206444 | 206430 | 206372 |
| Quantity | 2 | 3 | 3 | 2 |
| Appliance | 6 burner range with large oven | ref. bases | ref. bases | 23 l fryers and pasta cookers |

FLANGED FEET

| RANGE | EVO700 and EVO900 | |
|----------|-------------------|--|
| PNC | 206136 | |
| Quantity | 2 | |

206136



Note: braising pans can not be installed on wheels

INSTALLATION ACCESSORIES

WATER COLUMNS

206379



FLOW METER

| RANGE | EVO700 | EVO900 |
|-------|--------|--------|
| PNC | 206379 | 206380 |

- Top equipped with water column and liter counter

206289



WATER COLUMN WITH SWIVEL ARM

| RANGE | EVO700 and EVO900 |
|-------|-------------------|
| PNC | 206289 |

- Cannot be installed on: Fryers, Chip scuttles, Induction, Bases (neutral, freezer, refrigerated), 700 infrared and induction tops

206291

206290



WATER COLUMN EXTENSION

| RANGE | EVO700 | EVO900 |
|-------|--------|--------|
| PNC | 206291 | 206290 |

- Not needed when the water column inlet can be reached directly with the flexible water hose from the water net
- Both codes contain two extensions of different length
- Mandatory for EVO900 installations

INSTALLATION ACCESSORIES

WATER COLUMNS

206231



EXTERNAL SUPPORT FOR WATER COLUMN

| RANGE | EVO700 and EVO900 |
|-------|-------------------|
| PNC | 206231 |

- To install the water column on the side or rear of the appliance

ZANUSSI PROFESSIONAL
www.zanussiprofessional.com

Part of  Electrolux
Professional
Group

ZANUSSI
PROFESSIONAL



The company reserves the right to change technical specifications without prior warning. The photographs are not contractually binding.