



# COMBI VEGETABLE PREP.-CUTTER CK-45V 230/50-60/1 AUS

2 in 1: high capacity vegetable cutter (550 kg/h) + cutter with 5.5 litre hopper

P/N 1050773



DYNAMIC PREPARATION  
FOOD PROCESSOR / VEG PREP COMBI MACHINES



## SALES DESCRIPTION

It has a variable speed motor block, large-capacity head and 5.5-litre cutter hopper equipped with a rotor with micro-serrated blades. Brushless technology.

## FEATURES AND BENEFITS

*As a cutter, its head with the blade on one side distributes products inside the mouth and cuts and distributes whole products such as cabbage. Supplied with a central drill, optional use, with the same purpose. The head is equipped with a top ejector, which enables more product to be shifted and the indicated production levels achieved. As a food processor, it has a 5.5-litre hopper with mixer and micro-serrated blades.*

### Equipped with "brushless" technology: powerful and efficient motors.

- ✓ Maximum efficiency: maintain the torque throughout the speed range.
- ✓ Exclusive "force control system": guarantee of a uniform and high quality result.
- ✓ Lightweight and compact design: they weigh less, they occupy less space.
- ✓ Improved air/water-tightness since no ventilation is required.
- ✓ They generate less noise: improved workplace environment.

### Cutting function: a perfect cut

- ✓ High precision settings and comprehensive cutter and disc design aimed at obtaining a perfect cut.
- ✓ It can be fitted with a wide range of discs and grids of the highest cutting quality. Combining these accessories together to obtain more than 70 different types of cuts and grating grades.
- ✓ Exclusive "Force Control System" to optimise and standardise the cutting of each product: acoustic warning when the motor exceeds the pre-established force.

### Cutter function: efficiency and performance

- ✓ Possibility of programming by time and pulse button.
- ✓ Reverse function, ideal for mixing products instead of cutting.
- ✓ 5.5 litre stainless steel hopper.
- ✓ Polycarbonate lid with built-in "cut&mix" mixer.
- ✓ Depending on the purpose, the possibility of using optional smooth or perforated blades.

### Built to last

- ✓ Made from stainless steel and food-grade materials of the highest quality: stainless steel motor block and food-grade aluminium head. Stainless steel hopper with highly-resistant polycarbonate lid.

### Maximum comfort for the user

- ✓ Ergonomic design. Maximum comfort for the user.
- ✓ Lateral product output: it requires less room on the work surface and directs the product avoiding splashing.
- ✓ Advanced control panel that is very intuitive to use and offers all the information at a glance.

### Maintenance, safety, hygiene

- ✓ Plunger, lid and hopper easy to remove for changing or cleaning.
- ✓ Combination of security systems: head, covers, hopper, power switch.
- ✓ Appliance certified by NSF International (regulations on hygiene, cleaning and materials suitable for contact with foods).
- ✓ 100% tested.

## INCLUDES

- ✓ Variable speed motor block.
- ✓ Large capacity head.
- ✓ Cutter hopper, with micro-serrated blade rotor.

## ACCESSORIES

- FCC Curved Slicing Discs
- FCO Rippled Slicing Discs
- FFC Chipping Grids
- FMC Dicing Grids
- FCE Julienne Discs
- FR Shredding & Grating Discs
- Universal hopper
- Disc and Grid Holder Device
- Blades for CK/CKE
- Grid Cleaning Kit
- FC-D Slicing Discs
- SH Shredding & Grating Discs



**sammic** | www.sammic.com  
Food Service Equipment Manufacturer

Polígono Basarte, 1. phone +34 943 15 72 36  
20720 Azkoitia, Spain sales@sammic.com



Project	Date
Item	Qty
Approved	

product sheet  
updated 19/09/2019



# COMBI VEGETABLE PREP.-CUTTER CK-45V 230/50-60/1 AUS

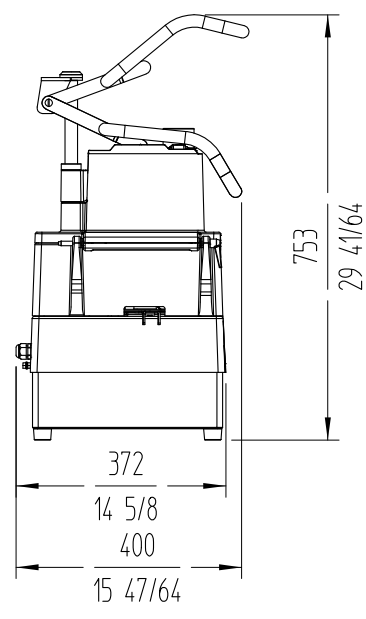
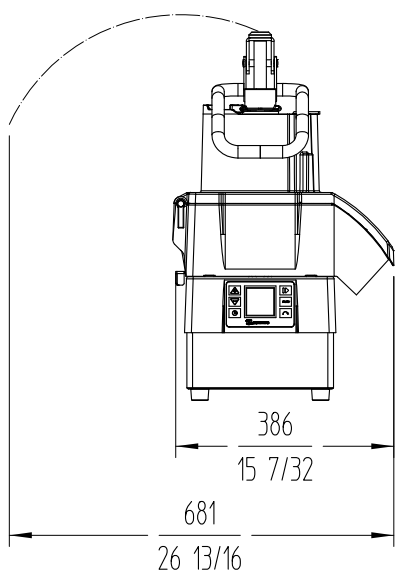
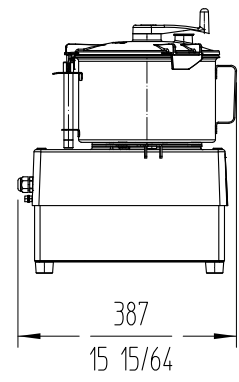
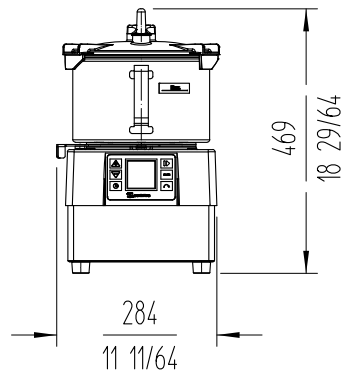
2 in 1: high capacity vegetable cutter (550 kg/h) + cutter with 5.5 litre hopper



P/N 1050773

## SPECIFICATIONS

- Total loading: 1500 W
- Electrical supply: 230 V / 50-60 Hz / 1 ~ (10 A)
- Plug: AU/NZ
- As vegetable preparation machine**
- Hourly production: 200 Kg - 650 Kg
- Inlet opening: 286 cm<sup>2</sup>
- Disc diameter: 205 mm
- Speed as veg. slicer: 300 rpm - 1000 rpm
- External dimensions (WxDxH): 391 mm x 400 mm x 652 mm
- Net weight: 29.7 Kg
- As cutter**
- Bowl capacity: 5 l
- Speeds as cutter (positions): 300 rpm - 3000 rpm
- External dimensions (WxDxH): 286 mm x 387 mm x 487 mm
- Net weight (Cutter): 18 Kg.
- Noise level (1m.): <70 dB(A)
- Background noise: 32 dB(A)
- Crated dimensions**
- 705 x 415 x 515 mm
- : 0.15 m<sup>3</sup>
- Gross weight: 35 Kg.



DYNAMIC PREPARATION  
FOOD PROCESSOR / VEG PREP COMBI MACHINES

**sammic** | www.sammic.com  
**Food Service Equipment Manufacturer**  
 Polígono Basarte, 1. phone +34 943 15 72 36  
 20720 Azkoitia, Spain sales@sammic.com



Project	Date
Item	Qty
Approved	

product sheet  
updated 19/09/2019