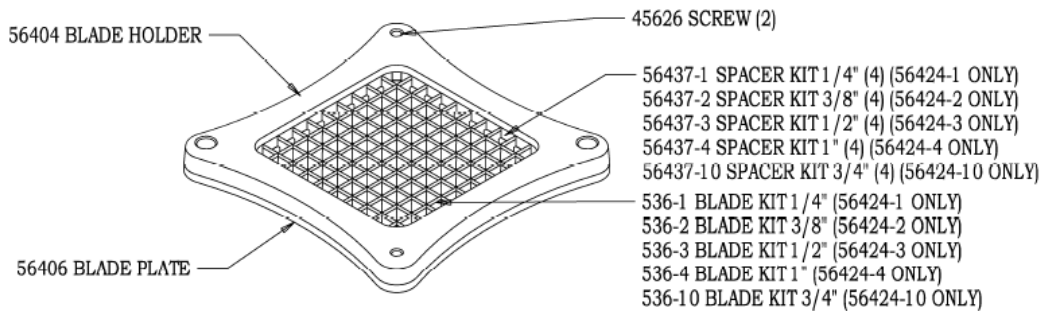
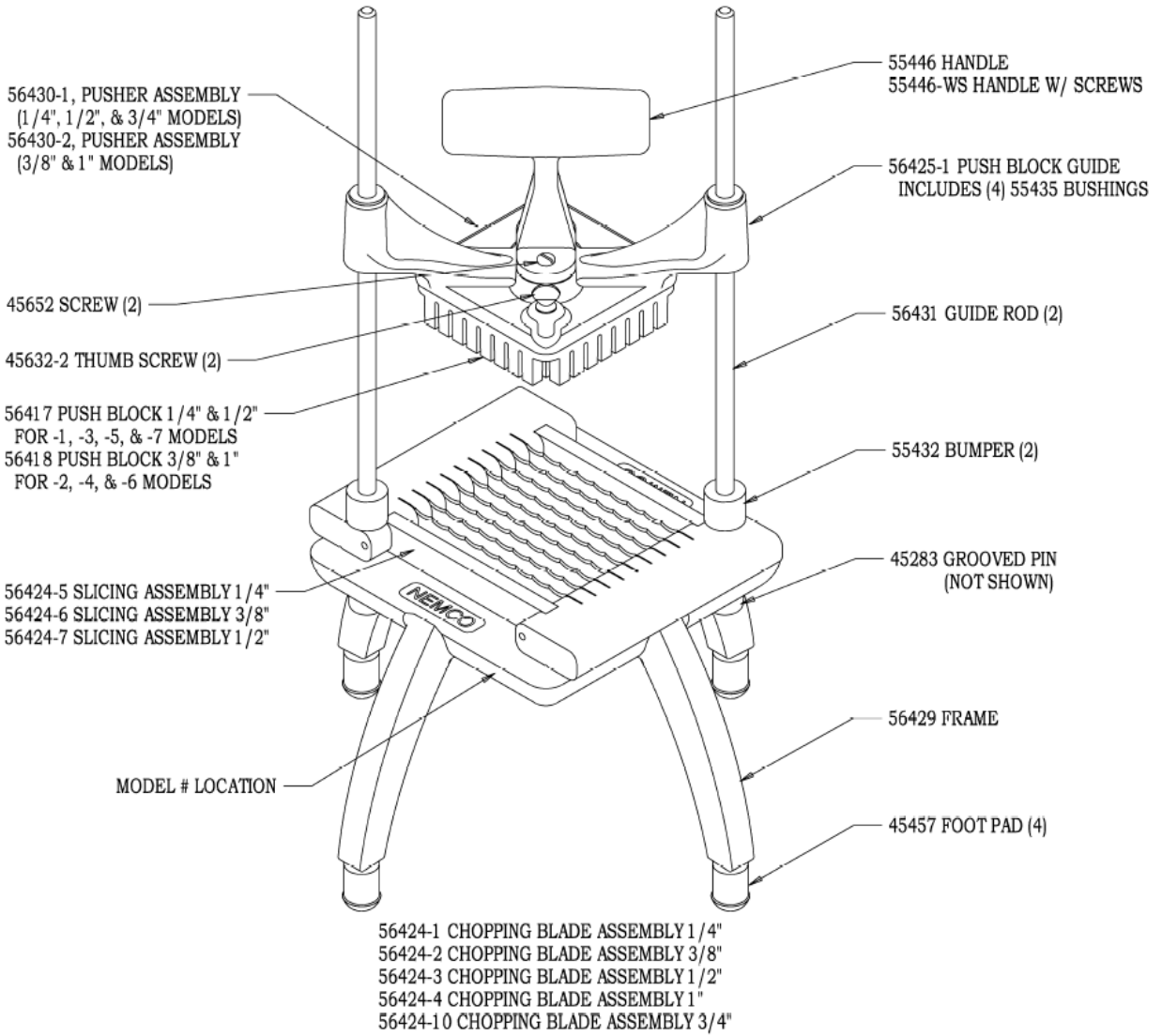


56500 - () EASY CHOPPER II



NEMCO FOOD EQUIPMENT

301 Meuse Argonne, Hicksville, OH 43526

Phone: (419) 542-7751 Fax: (419) 542-6690 Toll free: 1-800-782-6761 47064

www.nemcofoodequip.com

8-20-2012