



POTATO PEELER PP-6+ / PPC-6+

Output: 6 Kg. per cycle. Aluminium made potato peeler.



DYNAMIC PREPARATION
COMMERCIAL POTATO PEELERS

SALES DESCRIPTION

PPC: Equipped with attachment drive to power accessories.

Aluminium body potato peeler. Abrasive peeling. The abrasive is highly resistant and long lasting.

- ✓ Base Plate and chamber walls lined with abrasive.
- ✓ Aluminium body.
- ✓ PPC: Equipped with attachment drive to power accessories.
- ✓ Directable cylinder.
- ✓ Integral control panel complete with on/off push buttons and a 0-6 minute timer.

INCLUDES

- ✓ Attachment drive to power accessories (PPC model).

ACCESSORIES

- Vegetable preparation attachment CR-143
- Meat mincer attachment HM-71
- Potato masher attachment P-132
- Stands for potato peelers
- Filters for potato peelers



sammic | www.sammic.com
Food Service Equipment Manufacturer

Polígono Basarte, 1. phone +34 943 15 72 36
20720 Azkoitia, Spain sales@sammic.com



Project	Date
Item	Qty
Approved	

product sheet
updated 22/04/2021



POTATO PEELER PP-6+ / PPC-6+

Output: 6 Kg. per cycle. Aluminium made potato peeler.



SPECIFICATIONS

Hourly production: 120 Kg / 150 Kg
 Capacity per load: 6 Kg
 Timer (min-max): 0 ' - 6 '
 Plate speed: 317 rpm

External dimensions (WxDxH)

- ✓ Width: 395 mm
- ✓ Depth: 700 mm
- ✓ Height: 433 mm

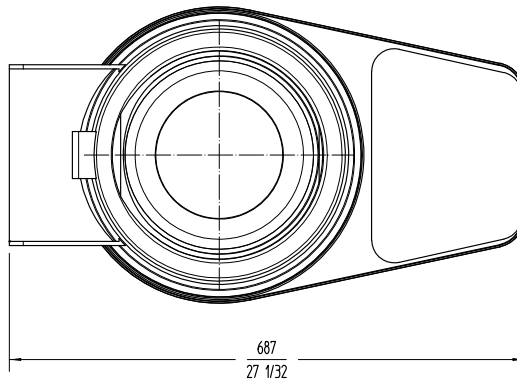
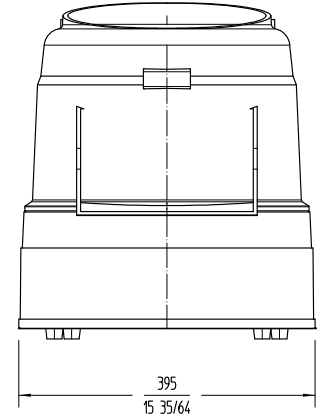
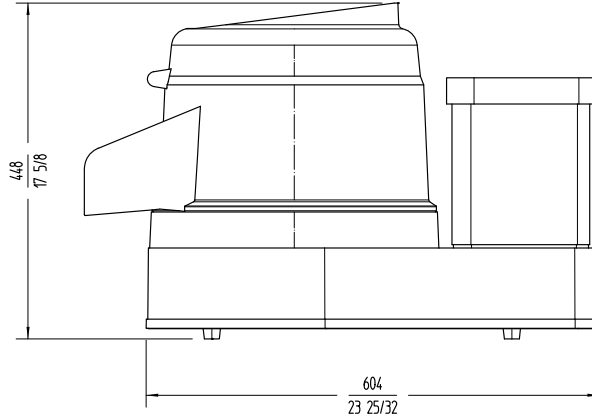
External dimensions with stand

- ✓ Width with stand: 411 mm
- ✓ Depth with stand: 700 mm
- ✓ Height with stand: 945 mm

Net weight: 37 Kg

Noise level (1m.): 70 dB(A)


Background noise: 32 dB(A)



AVAILABLE MODELS

- 1000385 Potato peeler PPC-6 230/50/1
- 1000410 Potato peeler PP-6+ 230-400/50/3 ·370W
- 1000411 Potato peeler PP-6+ 230/50/1 ·400W
- 1000412 Potato peeler PP-6+ 220-380/60/3
- 1000413 Potato peeler PP-6+ 220/60/1
- 1000414 Potato peeler PP-6+ 120/60/1
- 1000417 Potato peeler PP-6+ 440/60/3
- 1000430 Potato peeler PPC-6+ 230-400/50/3 ·550W
- 1000431 Potato peeler PPC-6+ 230/50/1 ·550W
- 1000434 Potato peeler PPC-6+ 220/60/1

* Ask for special versions availability

 sammic www.sammic.com Food Service Equipment Manufacturer Polígono Basarte, 1. phone +34 943 15 72 36 20720 Azkoitia, Spain sales@sammic.com		Project	Date
		Item	Qty
		Approved	

DYNAMIC PREPARATION
COMMERCIAL POTATO PEELERS

product sheet
updated 22/04/2021