



POTATO PEELER PP-12+ 230/50/1 ·400W

Output: 12 Kg. per cycle. Aluminium made potato peeler.



P/N 1000421



DYNAMIC PREPARATION
COMMERCIAL POTATO PEELERS

SALES DESCRIPTION

PPC: Equipped with attachment drive to power accessories.

Aluminium body potato peeler. Abrasive peeling. The abrasive is highly resistant and long lasting.

- ✓ Base Plate and chamber walls lined with abrasive.
- ✓ Aluminium body.
- ✓ PPC: Equipped with attachment drive to power accessories.
- ✓ Directable cylinder.
- ✓ Integral control panel complete with on/off push buttons and a 0-6 minute timer.

ACCESSORIES

- Vegetable preparation attachment CR-143
- Meat mincer attachment HM-71
- Potato masher attachment P-132
- Stands for potato peelers
- Filters for potato peelers



sammic | www.sammic.com
Food Service Equipment Manufacturer

Polígono Basarte, 1. phone +34 943 15 72 36
20720 Azkoitia, Spain sales@sammic.com



Project	Date
Item	Qty
Approved	

product sheet
updated 11/03/2021



POTATO PEELER PP-12+ 230/50/1 ·400W

Output: 12 Kg. per cycle. Aluminium made potato peeler.



P/N 1000421

SPECIFICATIONS

Hourly production: 220 Kg / 270 Kg
 Capacity per load: 12 Kg
 Timer (min-max): 0' - 6'
 Total loading: 400 W
 Plate speed: 317 rpm
 Electrical supply: 230 V / 50 Hz / 1 ~ (2.9 A)
 Plug: -

External dimensions (WxDxH)

- ✓ Width: 395 mm
- ✓ Depth: 700 mm
- ✓ Height: 503 mm

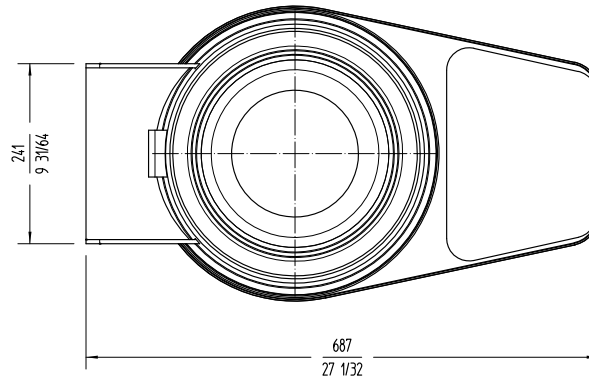
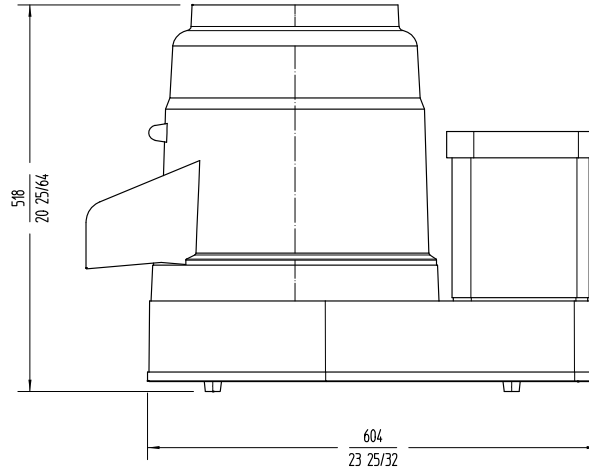
External dimensions with stand

- ✓ Width with stand: 411 mm
- ✓ Depth with stand: 700 mm
- ✓ Height with stand: 1015 mm


Net weight: 38 Kg

Crated dimensions

440 x 710 x 545 mm
 Gross weight: 36.3 Kg.



DYNAMIC PREPARATION
 COMMERCIAL POTATO PEELERS

 sammic www.sammic.com Food Service Equipment Manufacturer Polígono Basarte, 1. phone +34 943 15 72 36 20720 Azkoitia, Spain sales@sammic.com		Project	Date
		Item	Qty
		Approved	