



POTATO PEELER M-5

5 Kg. / 11 pounds load per cycle.



DYNAMIC PREPARATION
COMMERCIAL POTATO PEELERS

SALES DESCRIPTION

Commercial stainless steel construction potato peeler suitable for reduced space areas. Also suitable to peel carrots and other similar products.

- ✓ Abrasive peeling. The abrasive is highly resistant and long lasting.
- ✓ Base Plate lined with highly resistant and long lasting abrasive.
- ✓ Stainless steel body.
- ✓ Ideal for placement near sink for drainage
- ✓ Very easy to install
- ✓ Water inlet system with non-return air break.
- ✓ Integral control panel complete with on/off push buttons and a 0-6 minute timer.
- ✓ Optional extra: A stainless steel stand complete with removable filter chamber.

ACCESSORIES

- Stands for potato peelers
- Filters for potato peelers



sammic | www.sammic.com
Food Service Equipment Manufacturer

Polígono Basarte, 1. phone +34 943 15 72 36
20720 Azkoitia, Spain sales@sammic.com



Project	Date
Item	Qty
Approved	

product sheet
updated 16/04/2021



POTATO PEELER M-5

5 Kg. / 11 pounds load per cycle.



SPECIFICATIONS

Hourly production: 80 Kg / 100 Kg
Capacity per load: 5 Kg
Timer (min-max): 0' - 6'
Total loading: 300 W
Noise level (1m.): 70 dB(A)
Background noise: 32 dB(A)

External dimensions (WxDxH)

- ✓ Width: 333 mm
- ✓ Depth: 367 mm
- ✓ Height: 490 mm

External dimensions with stand

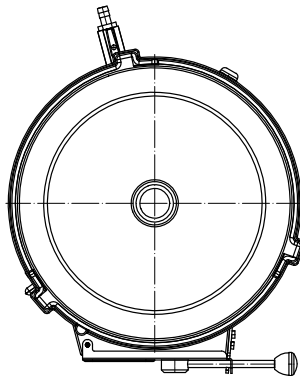
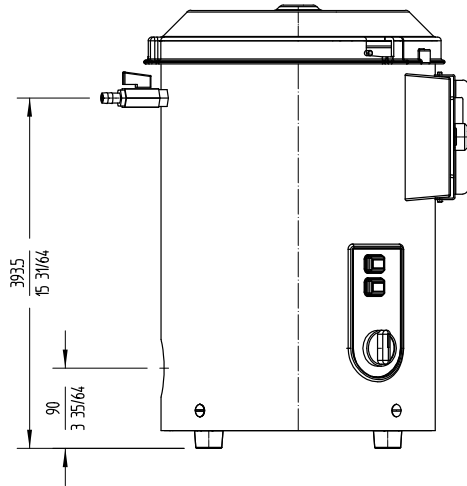
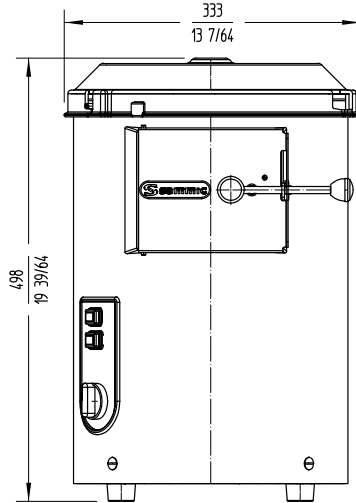
- ✓ Width with stand: 425 mm
- ✓ Depth with stand: 555 mm
- ✓ Height with stand: 965 mm

Plate speed: 300 rpm

Net weight: 15.5 Kg

Crated dimensions

57 x 42 x 42 mm
Gross weight: 18.5 Kg.



AVAILABLE MODELS

1000565 Potato peeler M-5 230/50-60/1

1000598 Potato peeler M-5 120/60/1 N

* Ask for special versions availability

 **sammic** | www.sammic.com
Food Service Equipment Manufacturer

Polígono Basarte, 1. phone +34 943 15 72 36
20720 Azkoitia, Spain sales@sammic.com



Project

Date

Item

Qty

Approved