



IMMERSION BLENDER XM-12 230/50-60/1 AUS

Compact immersion blender.

P/N 3030738



FEATURES AND BENEFITS

- ✓ **All-in-one**
- ✓ Versatility without add-on tools.
- ✓ Tri-blade, professional, made of tempered steel and equipped with a long lasting cutting edge.
- ✓ Vario-speed: adjustable speed.
- ✓ Ideal for mise-en-place and support in service.
- ✓ Designed to work with maximum comfort in recipients of up to 10 litres of capacity.
- ✓ In option: shorter MA-11 mixarm.
- ✓ **Maximum comfort for the user**
- ✓ Compact design: logical and manageable size.
- ✓ Ergo-design & bi-mat-grip: The external casing, in two materials, allows an ergonomic hold with an anti-slip grip and the handle features optimum inclination to minimise fatigue.
- ✓ Click-on-arm: detachable arm with quick and safe locking.
- ✓ Hood designed to avoid splashes during work.
- ✓ Intuitive use: very simple operation. Includes warning light when the machine is connected to the mains.
- ✓ **Designed to last**
- ✓ Professional performance: it is capable of carrying out prolonged work without overheating.
- ✓ Life-plus: equipped with a motor which has passed all of the most demanding usage tests.
- ✓ Studied geometry: casing designed to avoid rolling and falling.
- ✓ Easy to clean: the arm can be washed under the tap or in the dishwasher.

SALES DESCRIPTION

The most delicate preparations, airy blendings, smooth purees with no need of add-on tools.

Designed for continuous use.

Ideal for mise en place.

Maximum comfort of use in recipients of up to 10 litres.

INCLUDES

- ✓ Variable speed motor block.
- ✓ MA-12 mixer arm.



sammic | www.sammic.com
Food Service Equipment Manufacturer

Polígono Basarte, 1. phone +34 943 15 72 36
20720 Azkoitia, Spain sales@sammic.com



Project	Date
Item	Qty
Approved	

DYNAMIC PREPARATION
COMMERCIAL HAND BLENDERS - XM RANGE

product sheet
updated 15/07/2020



IMMERSION BLENDER XM-12 230/50-60/1 AUS

Compact immersion blender.

P/N 3030738

SPECIFICATIONS

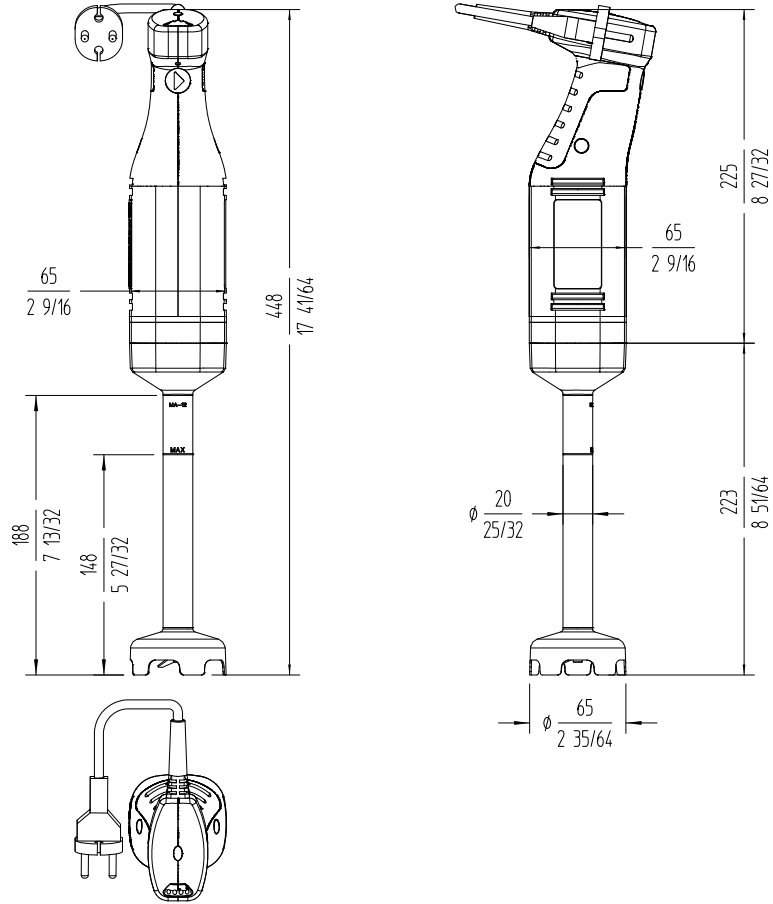
- Total loading: 240 W
- Maximum recipient capacity: 10 l
- Motor speed: 1500 - 15000 rpm
- Blade diameter: 44 mm
- Blade guard diameter: 65 mm
- Electrical supply: 230 V / 50-60 Hz / 1 ~ (0.7 A)

Length

- Liquidising arm length: 223 mm
- Total length: 448 mm
- Net weight: 1.4 Kg
- Noise level (1m.): <80 dB(A)

Crated dimensions

- 496 x 80 x 180 mm
- Gross weight: 1.8 Kg.



DYNAMIC PREPARATION
COMMERCIAL HAND BLENDERS - XM RANGE

sammic | www.sammic.com
Food Service Equipment Manufacturer

Polígono Basarte, 1. phone +34 943 15 72 36
20720 Azkoitia, Spain sales@sammic.com



Project	Date
Item	Qty
Approved	

product sheet
updated 15/07/2020