



SELF-CONTAINED CUBER

PARTS LIST

[HE] [GRAM][SINGAPORE]

E1FA

E1FA-D001,-D002,-D003,-D004,-D005,-D006,-D007
-D008,-D009,-D010,-D020,-D021,-D200,-D201
-D202,-D203

A-1 NOV. 2011
B-1 OCT. 2012
D-1 APR. 2014
D-2 NOV. 2014
E-1 JUN. 2015
F-1 DEC. 2016
G-1 OCT. 2017
H-1 OCT. 2018
J-1 JUL. 2019
J-2 SEP. 2019

IM-30CNE(-25)
IM-30CWNE(-25)
IM-21CNE
IM-30CNE(-25)-SN
IM-30CWNE-SN
IM-21CNE-SN

List of Specifications

IM-30CNE	E1FA	Standard
IM-30CNE-25	E1FA-D001	25mm ICE of IM-30CNE
IM-30CWNE	E1FA-D002	Water cooled
IM-21CNE	E1FA-D003	ICE PRODUCTION 21Kg/day,Not LEG
IM-30CNE	E1FA-D004	230V 60Hz, COMPRESSOR TL5G
IM-21CNE(NAV)	E1FA-D005	115V 60Hz UK-NAVY
IM-30CWNE-25	E1FA-D006	Water cooled,25mm ICE of IM-30CWNE
IM-21CNE	E1FA-D007	DRAIN VALVE
IM-30CWNE (G60)	E1FA-D008	Water cooled 230V 60Hz
IM-30CNE(HS)	E1FA-D009	Standard for Singapore
IM-30CNE-25(HS)	E1FA-D010	25mm ICE of IM-30CNE for Singapore
IM-21CNE	E1FA-D020	GRAM OEM
IM-30CNE	E1FA-D021	GRAM OEM
IM-30CNE-SN	E1FA-D200	Integrated in E1FA.
IM-30CNE-25-SN	E1FA-D201	Integrated in E1FA-D001.
IM-30CWNE-SN	E1FA-D202	Integrated in E1FA-D002.
IM-21CNE-SN	E1FA-D203	Integrated in E1FA-D003.

Auxiliary Codes

Auxiliary Code Breakdown

The auxiliary code is the first two characters in the serial number. The first character indicates the year. Years progress or regress in alphabetical order. The series runs from "A" through "V" and the letters "I" and "O" are skipped. The second character indicates significant part changes within a year. Base is "0" and this number advances for each change. In cases where there is a letter in parentheses, this designates the month. This is the last character in the serial number. The series runs from "(A)" through "(M)" and the letter "(I)" is skipped. This designation is only included when identifying a parts change within an auxiliary code.

Note About Ordering Parts

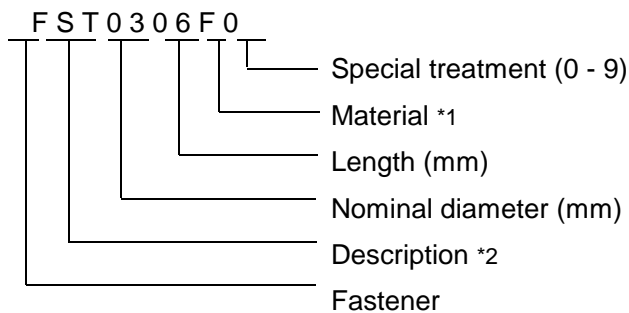
Most assemblies cannot be ordered as complete units; parts in the assemblies generally must be ordered separately.

MARKS LOCATED UNDER THE AUXILIARY CODE

- = Part deleted.

FASTENER PART NUMBER

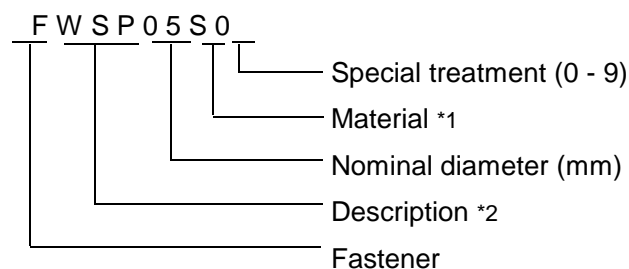
SCREWS



*1

F: Steel
S: Austenitic stainless steel
M: Martensitic stainless steel
B: Copper alloy
P: Polycarbonate
N: Polyamide
V: PVC
A: ABS
X: Polyacetal
L: Aluminum

NUTS & WASHERS

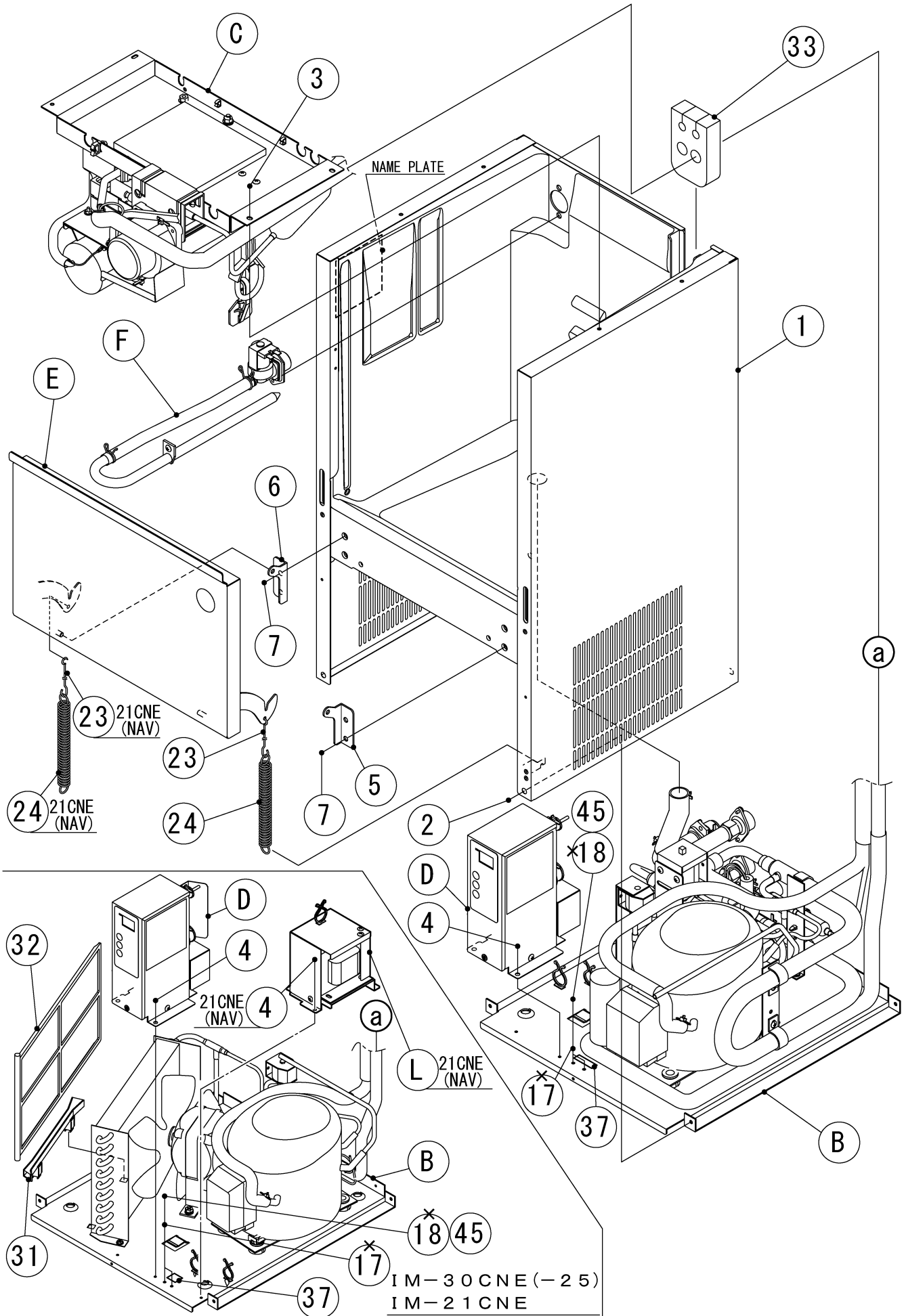


*2

First letter
S: Machine screw
T: Tapping screw
M: Wood screw
B: Bolt
W: Washer
N: Nut

IM-30CNE(-25)
 IM-30CWNE(-25)
 IM-21CNE

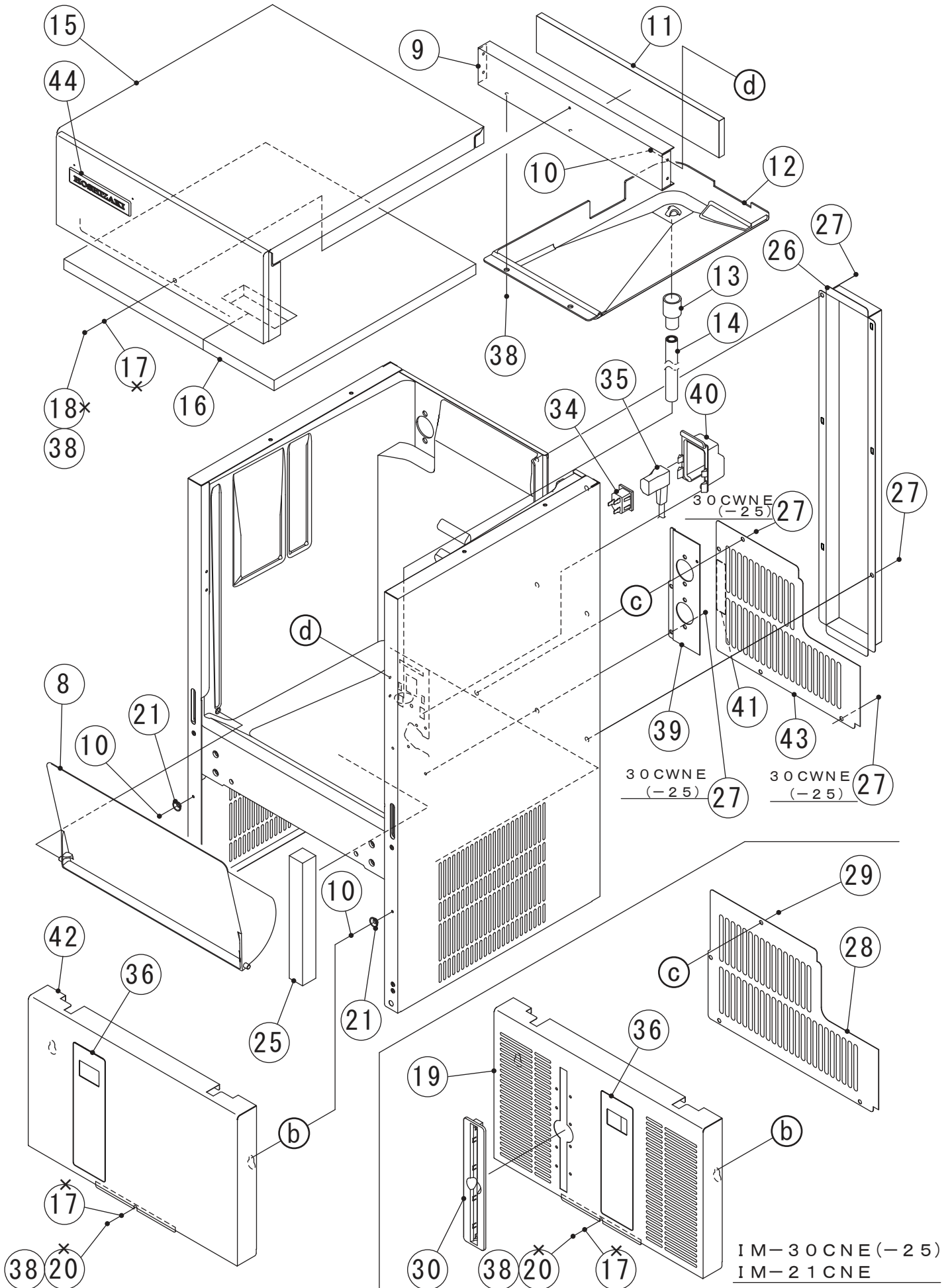
A. ICE CUBBER ASSY (1/3) (A-1) and later



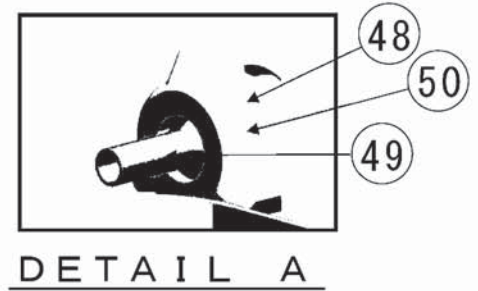
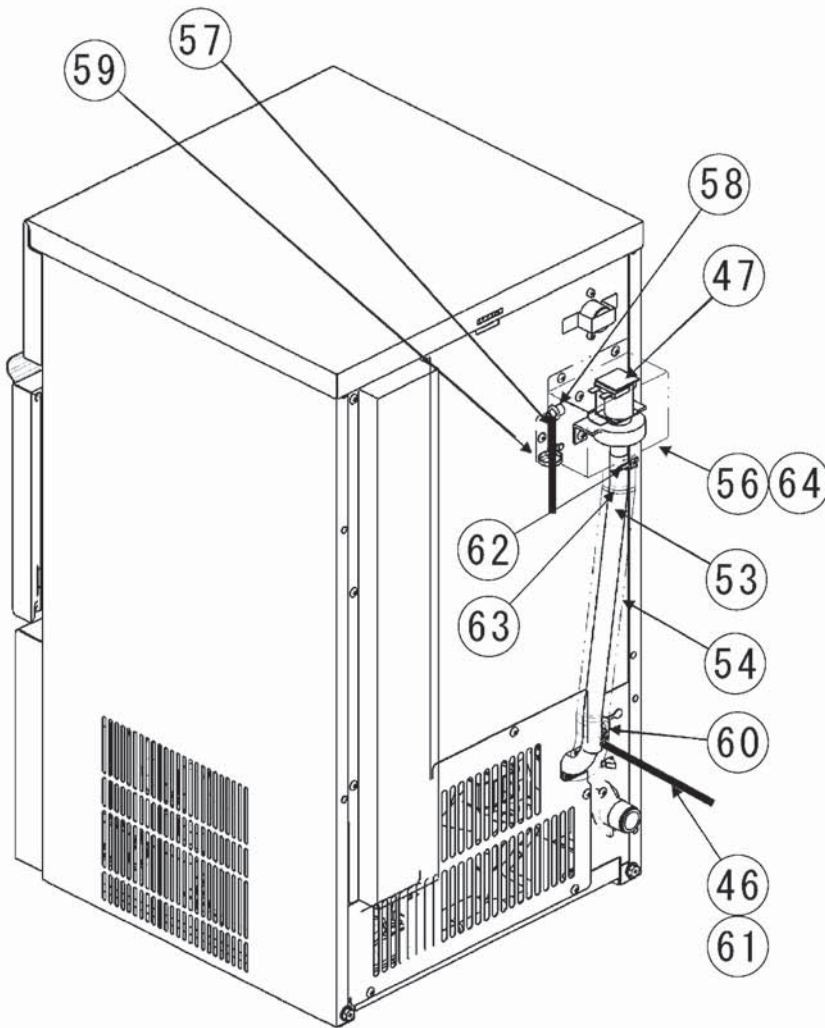
IM-30CNE(-25)
 IM-21CNE

IM-30CNE(-25)
 IM-30CWNE(-25)
 IM-21CNE

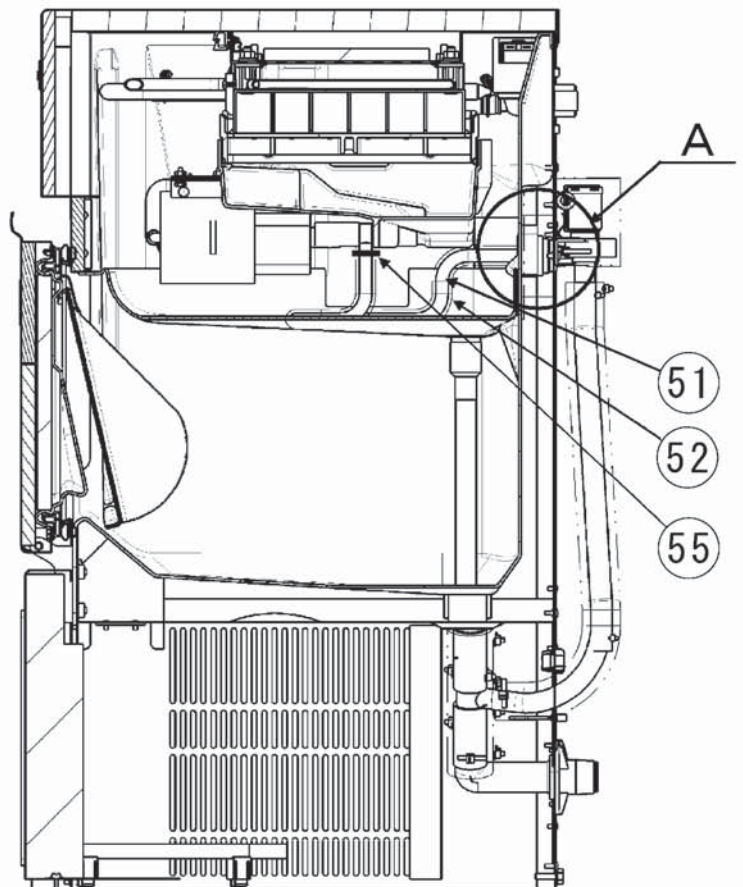
A. ICE CUBBER ASSY (2/3) (A-1) and later



IM-30CNE(-25)
 IM-21CNE



STRUCTURE



SECT

HE,GRAM

MODEL: IM-30CNE(-25) IM-30CWNE(-25) IM-21CNE			TITLE: A.ICE CUBER ASSY							
INDEX NO.	DESCRIPTION	MATERIAL OR MODEL NUMBER	PART NUMBER	REQ'D NUMBER						
				A-1 B-0	B-1,C-0 D-0	D-1	D-2 E-0	E-1 F-0	F-1 G-0	
B	REFRIGERATION ASSY		1H4798A01	1	-	-	-	-	-	
			1H5199A01	-	1	1	-	-	-	
			1H5199A02	-	-	-	1	1	1	
			(IM-30CWNE(-25))	1H4822A01	1	-	-	-	-	-
			1H5200A01	-	1	1	1	1	1	
C	ICE MAKING MECHANISM ASSY		1H4799A01	1	1	1	1	-	-	
			1H4799A02	-	-	-	-	1	1	
			(IM-21CNE DRAIN VALVE)	1H5401A01	-	1	1	1	-	-
			1H4799A02	-	-	-	-	1	1	
D	CONTROL BOX ASSY		2X0389A01	1	-	-	-	-	-	
			2X1209A01	-	1	1	-	-	-	
			2X1209A02	-	-	-	1	1	1	
E	DOOR ASSY		3Y5551A01	1	1	1	1	1	1	
F	WATER CIRCUIT ASSY		3Y5553A02	1	1	1	1	1	1	
			(IM-21CNE DRAIN VALVE)	3Y7742A01	-	1	1	1	1	1
L	TRANSFORMER ASSY	IM-21CNE(NAV)	3Y7666A01	-	1	1	1	1	1	
1	UNIT FRAME		1H4797G01	1	1	-	-	-	-	
			1H4797G02	-	1	-	-	-	-	
			(IM-30CNE,-21CNE)	1H4797G04	-	-	1	-	-	-
			1H4797G06	-	-	-	1	1	1	
			(IM-30CWNE(-25))	1H4797G05	-	-	1	-	-	-
			1H4797G07			-	1	1	1	
			IM-21CNE(NAV)	1H4797001	-	1	-	-	-	-
				1H4797002	-	-	1	-	-	-
				1H4797003	-	-	-	1	1	1
			(IM-21CNE DRAIN VALVE)	1H5400G01	-	1	-	-	-	-
				1H5400G02	-	-	1	-	-	-
1H5400G03	-	-		-	1	1	1			
2	TAPPING SCREW - HEX		442040-01	4	4	4	4	4	4	
3	TRUSS HEAD TAPPING SCREW T2		FT20410S0	4	4	4	4	4	4	
4	FLANGE BOLT (S-TITE)		FTR0408M0	2	2	2	2	2	2	
5	HINGE (RIGHT)		4H2583-01	1	1	1	1	1	1	
6	HINGE (LEFT)		4H2584-01	1	1	1	1	1	1	
7	HEX HEAD BOLT (SPRING WASHER AND FLAT WASHER)		FBK0620S0	4	4	4	4	4	4	
8	SLOPE		3H3628-01	1	1	1	1	1	1	
9	FRONT FRAME		3Z1555M01	1	1	1	1	1	1	
10	RIVET	SSD42SSBS(t1.6~3.2)	7170-0002	6	6	6	6	6	6	
11	INSULATION - FRONT FRAME		4H2317-01	1	1	1	1	1	1	
12	DRAIN PAN		2H1442-01	1	1	1	1	1	1	

HE,GRAM

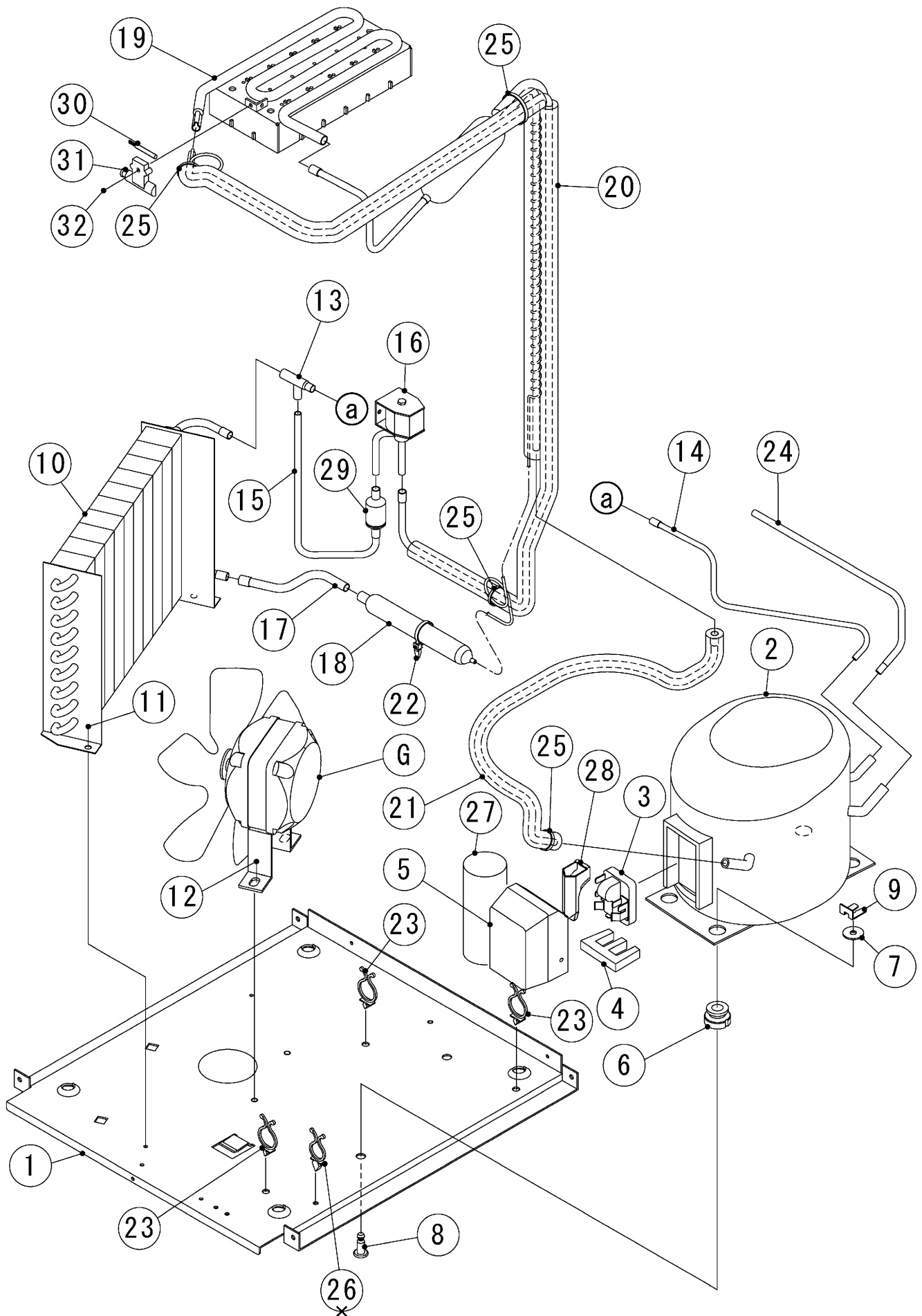
MODEL: IM-30CNE(-25) IM-30CWNE(-25) IM-21CNE			TITLE: A.ICE CUBER ASSY						
INDEX NO.	DESCRIPTION	MATERIAL OR MODEL NUMBER	PART NUMBER	REQ'D NUMBER					
				A-1 B-0	B-1,C-0 D-0	D-1	D-2 E-0	E-1 F-0	F-1 G-0
13	DRAIN TUBE		4Z0986R01	1	1	1	1	1	1
14	DRAIN PIPE		4Y7493P02	1	1	1	1	1	1
15	FRONT PANEL(UPPER)	(HE) Including No. 44	3Y5548G01	1	1	1	1	1	1
		(GRAM) Including No. 44	3Y5548G04	1	1	1	1	1	1
16	INSULATION - TOP		3Y5954P01	1	1	1	1	-	-
			3Y5954P02	-	-	-	-	1	1
17	SPRING WASHER		FWSP04S0	4	-	-	-	-	-
18	TRUSS HEAD MACHINE SCREW		FST0408S0	3	-	-	-	-	-
19	FRONT PANEL(LOWER)	(IM-30CNE(-25),21CNE)	3Y5555G01	1	1	1	-	-	-
			3Y5555G02	-	-	-	1	1	1
20	TRUSS HEAD TAPPING SCREW (S-TITE)		FTS0408M0	1	-	-	-	-	-
21	TAPER COLLAR		4H0171-01	2	2	2	2	2	2
23	HOOK		404060-08	1	1	1	1	1	1
24	SPRING		4H0491-01	1	1	1	1	1	1
25	SEAL(B)	(IM-30CNE(-25),21CNE)	4Y7171P01	1	1	1	1	1	1
26	COVER - PIPE		3Y5868M01	1	1	-	-	-	-
			3Y8281M01	-	-	1	1	1	1
27	TRUSS HEAD TAPPING SCREW T2		FT20408F0	6	6	2	2	2	2
		(IM-30CWNE(-25))		12	12	8	8	8	8
28	REAR PANEL	(IM-30CNE(-25),21CNE)	3Y5575M01	1	1	1	1	1	1
		(IM-30CWNE(-25))	3Y5619M01	1	1	1	1	1	1
		(IM-21CNE DRAIN VALVE)	3Y7743M01	-	1	1	1	1	1
29	TRUSS HEAD TAPPING SCREW T2	(IM-30CNE(-25),21CNE)	FT20408M0	4	4	4	4	4	4
30	FILTER - GUIDE	(IM-30CNE(-25),21CNE)	2H9010P01	1	1	1	1	1	1
31	FILTER - RAIL	(IM-30CNE(-25),21CNE)	3Y3497P01	1	1	1	1	1	1
32	AIR FILTER	(IM-30CNE(-25),21CNE)	3Y3496G01	1	1	1	1	1	1
33	INSULATION - BIN		4Y7416P01	1	1	1	1	1	1
34	CONNECTOR	except (IM-21CNE DRAIN VALVE)	P00245-02	1	1	1	1	1	1
35	POWER SUPPLY CORD	EU-PLUG(10A)	P03359-01	1	1	1	1	1	1
		UK-PLUG(10A)	P03360-01	1	1	1	1	1	1
		AS-PLUG(10A)	P03361-01	1	1	1	1	1	1
36	OPERATION LABEL		375116L02	1	1	1	1	1	1
37	LABEL - GROUND	except IM-21CNE(NAV)	450452-02	-	-	-	-	-	-
38	TRUSS HEAD TAPPING SCREW (S-TITE)		FTS0408M0	4	4	4	4	4	4
39	BRACKET - FITTING	(IM-30CWNE(-25))	4Y7181M01	1	1	1	1	1	1
40	COVER - CONNECTOR	ACCESSORIES NO.4	2X0271P01	1	1	1	1	1	1
41	LABEL - CONNECTION	(IM-30CWNE(-25))	464541-01	1	1	1	1	1	1
42	FRONT PANEL (LO)	(IM-30CWNE(-25))	3Y6001G01	1	1	1	1	1	1

HE,GRAM

MODEL: IM-30CNE(-25) IM-30CWNE(-25) IM-21CNE			TITLE: A.ICE CUBER ASSY						
INDEX NO.	DESCRIPTION	MATERIAL OR MODEL NUMBER	PART NUMBER	REQ'D NUMBER					
				G-1 H-0	H-1 J-0	J-1	J-2		
B	REFRIGERATION ASSY	(IM-30CNE,-21CNE)	1H5199A02	-	-	-	-		
			1H5993A01	1	1	1	1		
		(IM-30CNE-25)	1H5199A02	1	1	1	-		
			1H5993A01	-	-	-	1		
		(IM-30CWNE)	1H5200A01	-	-	-	-		
			1H5995A01	1	1	1	1		
		(IM-30CWNE-25)	1H5200A01	1	1	1	-		
			1H5995A01	-	-	-	1		
C	ICE MAKING MECHANISM ASSY		1H4799A02	1	1	1	1		
		(IM-21CNE DRAIN VALVE)	1H4799A02	1	1	1	1		
D	CONTROL BOX ASSY		2X1209A02	-	-	-	-		
			2X3404A01	1	1	-	-		
			2X3404A02	-	-	1	1		
		(IM-30CNE-25)	2X1209A02	1	1	1	-		
		(IM-30CWNE-25)	2X3404A02	-	-	-	1		
E	DOOR ASSY		3Y5551A01	1	1	1	1		
F	WATER CIRCUIT ASSY		3Y5553A02	1	1	1	1		
		IM-30CNE(HS)	3Y5553001	-	1	1	1		
		(IM-21CNE DRAIN VALVE)	3Y7742A01	1	1	1	1		
L	TRANSFORMER ASSY	IM-21CNE(NAV)	3Y7666A01	1	1	1	1		
1	UNIT FRAME	(IM-30CNE,-21CNE)	1H4797G06	1	-	-	-		
			1H6167G01	-	1	1	1		
		(IM-30CWNE(-25))	1H4797G07	1	-	-	-		
			1H6167G02	-	1	1	1		
		IM-21CNE(NAV)	1H4797003	1	1	1	1		
(IM-21CNE DRAIN VALVE)	1H5400G03	1	1	1	1				
2	TAPPING SCREW - HEX		442040-01	4	4	4	4		
3	TRUSS HEAD TAPPING SCREW T2		FT20410S0	4	4	4	4		
4	FLANGE BOLT (S-TITE)		FTR0408M0	2	2	2	2		
		IM-21CNE(NAV)		4	4	4	4		
5	HINGE (RIGHT)		4H2583-01	1	1	1	1		
6	HINGE (LEFT)		4H2584-01	1	1	1	1		
7	HEX HEAD BOLT (SPRING WASHER AND FLAT WASHER)		FBK0620S0	4	4	4	4		
8	SLOPE		3H3628-01	1	1	1	1		
9	FRONT FRAME		3Z1555M01	1	1	1	1		
10	RIVET	SSD42SSBS(t1.6~3.2)	7170-0002	6	6	6	6		
11	INSULATION - FRONT FRAME		4H2317-01	1	1	1	1		
12	DRAIN PAN		2H1442-01	1	1	1	1		

HE,GRAM

MODEL: IM-30CNE(-25) IM-30CWNE(-25) IM-21CNE			TITLE: A.ICE CUBER ASSY						
INDEX NO.	DESCRIPTION	MATERIAL OR MODEL NUMBER	PART NUMBER	REQ'D NUMBER					
				G-1 H-0	H-1 J-0	J-1	J-2		
13	DRAIN TUBE		4Z0986R01	1	1	1	1		
14	DRAIN PIPE		4Y7493P02	1	1	1	1		
15	FRONT PANEL(UPPER)	(HE) Including No. 44	3Y5548G01	1	1	1	1		
		(GRAM) Including No. 44	3Y5548G04	1	1	1	1		
16	INSULATION - TOP		3Y5954P02	1	1	1	1		
19	FRONT PANEL(LOWER)	(IM-30CNE(-25),21CNE)	3Y5555G02	1	1	1	1		
21	TAPER COLLAR		4H0171-01	2	2	2	2		
23	HOOK		404060-08	1	1	1	1		
24	SPRING		4H0491-01	1	1	1	1		
25	SEAL(B)	(IM-30CNE(-25),21CNE)	4Y7171P01	1	1	1	1		
26	COVER - PIPE		3Y8281M01	1	-	-	-		
			3Y5868M01	-	1	1	1		
27	TRUSS HEAD TAPPING SCREW T2		FT20408F0	2	6	6	6		
		(IM-30CWNE(-25))		8	12	12	12		
28	REAR PANEL	(IM-30CNE(-25),21CNE)	3Y5575M01	1	1	1	1		
		(IM-30CWNE(-25))	3Y5619M01	1	1	1	1		
		(IM-21CNE DRAIN VALVE)	3Y7743M01	1	1	1	1		
29	TRUSS HEAD TAPPING SCREW T2	(IM-30CNE(-25),21CNE)	FT20408M0	4	4	4	4		
30	FILTER - GUIDE	(IM-30CNE(-25),21CNE)	2H9010P01	1	1	1	1		
31	FILTER - RAIL	(IM-30CNE(-25),21CNE)	3Y3497P01	1	1	1	1		
32	AIR FILTER	(IM-30CNE(-25),21CNE)	3Y3496G01	1	1	1	1		
33	INSULATION - BIN		4Y7416P01	1	1	1	1		
34	CONNECTOR	except (IM-21CNE DRAIN VALVE)	P00245-02	1	1	1	1		
35	POWER SUPPLY CORD	EU-PLUG(10A)	P03359-01	1	1	1	1		
		UK-PLUG(10A)	P03360-01	1	1	1	1		
		AS-PLUG(10A)	P03361-01	1	1	1	1		
36	OPERATION LABEL		375116L02	1	1	1	1		
37	LABEL - GROUND	except IM-21CNE(NAV)	450452-02	-	-	-	-		
38	TRUSS HEAD TAPPING SCREW (S-TITE)		FTS0408M0	4	4	4	4		
39	BRACKET - FITTING	(IM-30CWNE(-25))	4Y7181M01	1	1	1	1		
40	COVER - CONNECTOR	ACCESSORIES NO.4	2X0271P01	1	1	1	1		
41	LABEL - CONNECTION	(IM-30CWNE(-25))	464541-01	1	1	1	1		
42	FRONT PANEL (LO)	(IM-30CWNE(-25))	3Y6001G01	1	1	1	1		
43	REAR PANEL	(IM-30CWNE(-25))	3Y5619M01	1	1	1	1		
44	EMBLEM	(HE)	340842-01	1	1	1	1		
	EMBLEM-GRAM	(GRAM)	4Y6123L01	1	1	1	1		
46	POWER CORD	(IM-21CNE DRAIN VALVE)	P00791-01	1	1	1	1		

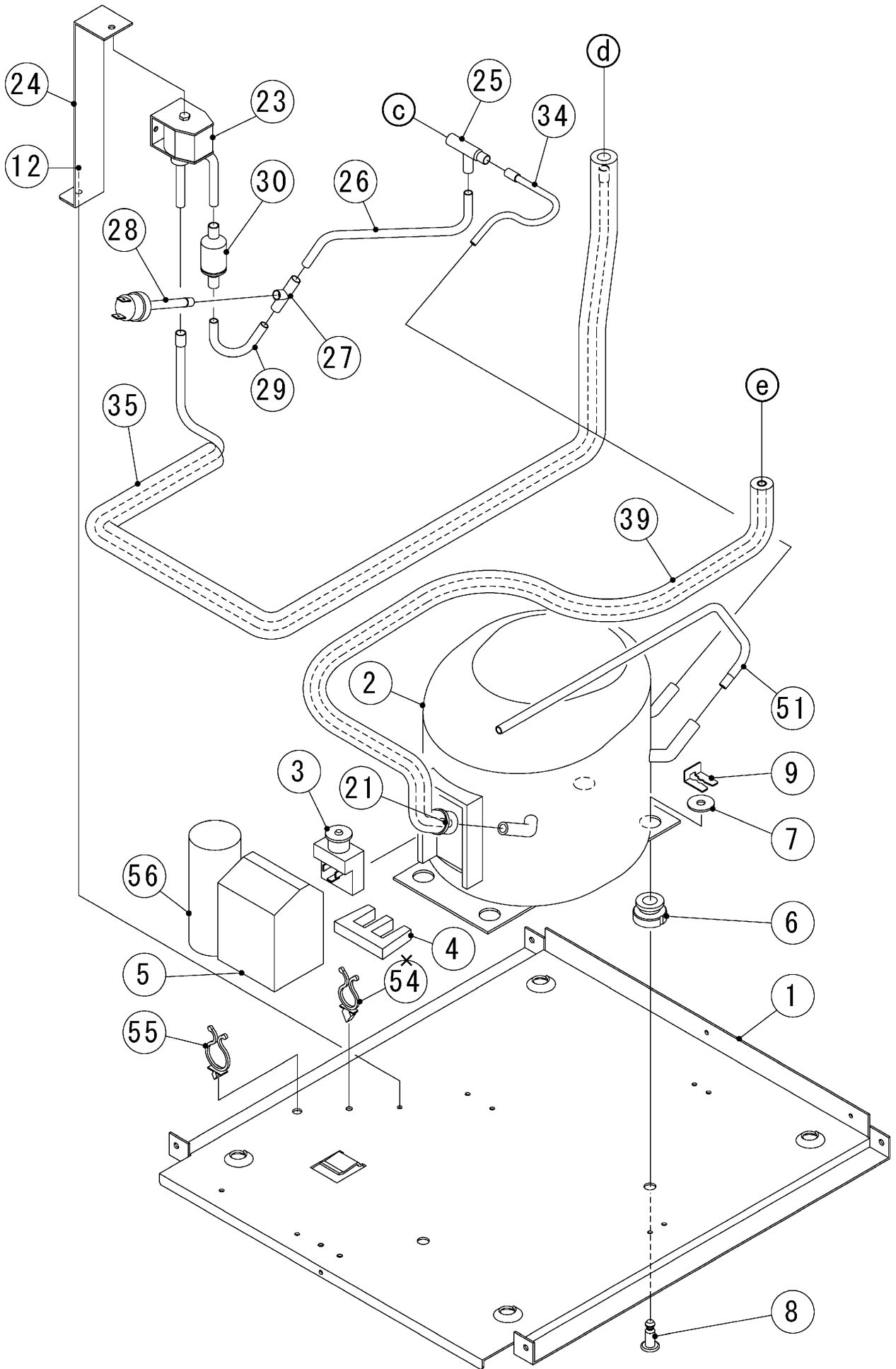


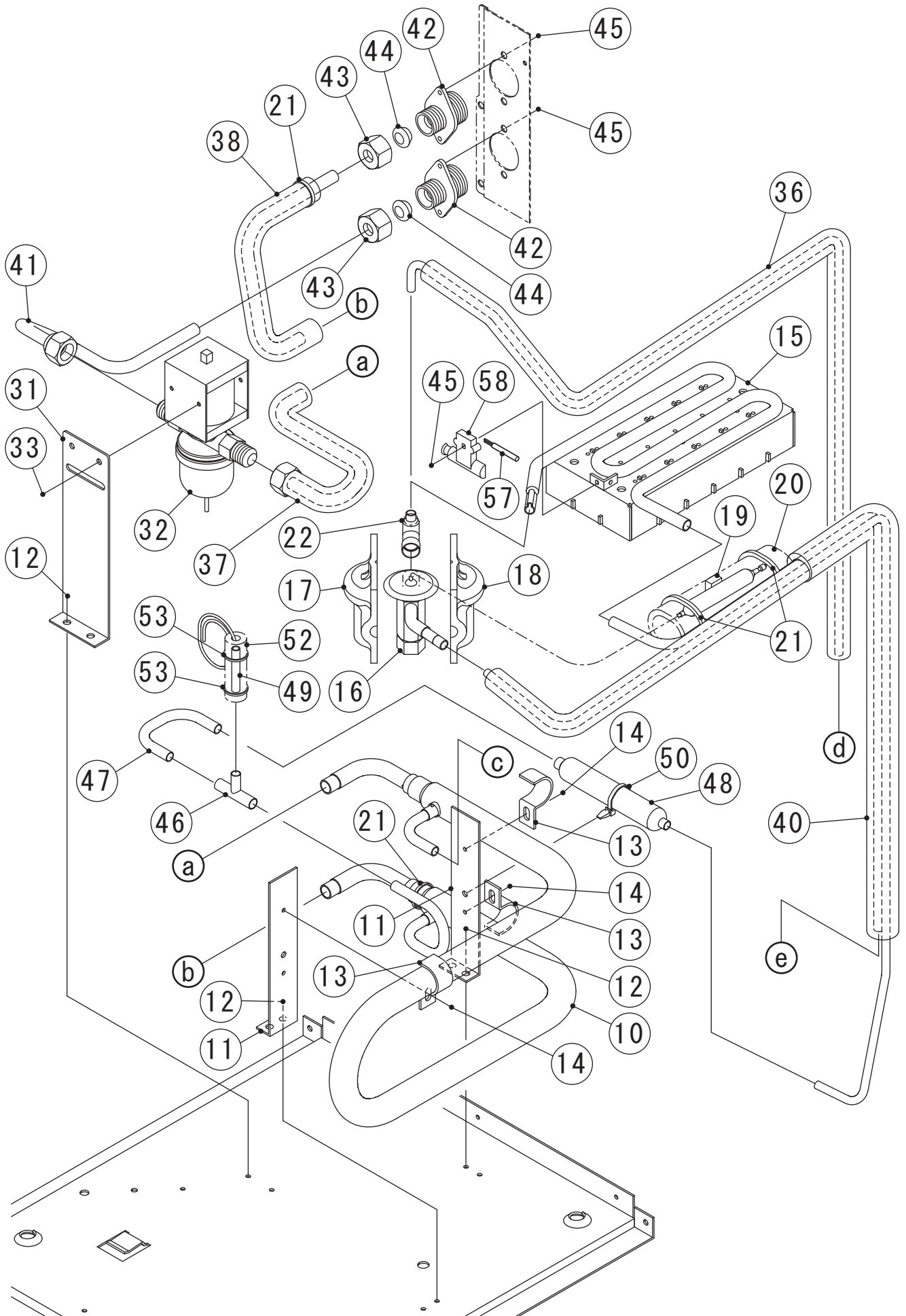
HE,GRAM

MODEL: IM-30CNE(-25) IM-21CNE			TITLE: B.REFRIGERATION ASSY						
INDEX NO.	DESCRIPTION	MATERIAL OR MODEL NUMBER	PART NUMBER	REQ'D NUMBER					
				A-1 B-0	B-1,C-0 D-0	D-1	D-2 E-0	E-1 F-0	F-1 G-0
G	FAN MOTOR ASSY		3E0058A01	1	1	1	1	1	1
1	BASE		1H4820M01	1	-	-	-	-	-
			1H5190M01	-	1	1	-	-	-
			1H5500M01	-	-	-	1	1	1
2	COMPRESSOR		450900-01	1	1	1	1	1	1
		(230V 60Hz)	P01902-01	1	1	1	1	1	1
		IM-21CNE(NAV)	462711-01	-	1	1	1	1	1
3	PTC STARTING DEVICE		450901-01	1	1	1	1	1	1
	STARTING RELAY	IM-21CNE(NAV)	462712-01	-	1	1	1	1	1
4	CORD RELIEF		4A3264-01	1	1	1	1	1	1
		IM-21CNE(NAV)	462714-01	-	1	1	1	1	1
5	COVER		450896-01	1	1	1	1	1	1
		IM-21CNE(NAV)	462715-01	-	1	1	1	1	1
6	RUBBER GROMMET		450897-01	4	4	4	4	4	4
7	WASHER CUSHION		P02793-01	2	2	2	2	2	2
8	STEEL PIN		452255-01	2	2	2	2	2	2
9	CLIP		452256-01	2	2	2	2	2	2
10	CONDENSER - AIR COOLED		P02261-01	1	1	1	-	-	-
			P03554-01	-	-	-	1	1	1
11	FLANGE BOLT (S-TITE)		FTQ0410M0	2	2	2	2	2	2
12	HEX HEAD BOLT (SPRING WASHER AND FLAT WASHER)		FBK0612F0	2	2	2	2	2	2
13	TEE		420041-03	1	1	1	1	1	1
14	COPPER TUBE(H)		3Y5618M01	1	1	1	-	-	-
			3Y8365M01	-	-	-	1	1	1
15	COPPER TUBE(A)-HOT GAS	COPPER TUBE A-HOT GAS 4Y7178G01	4Y7172M01	1	1	1	1	1	1
16	HOT GAS VALVE		P02539-01	1	1	1	1	1	1
17	COPPER TUBE - DRIER		4Y7173M01	1	1	1	1	1	1
18	DRIER		P03584-01	1	1	1	1	1	1
19	EVAPORATOR		3H9020G02	1	1	1	1	1	1
		(IM-30CNE-25)	3H3881G01	1	1	1	1	1	1
20	HEAT EXCHANGER ASSY		3Y5633G01	1	1	1	1	1	1
21	COPPER TUBE (L)		3Y5621G01	1	1	1	1	1	1
		IM-21CNE(NAV)	3Y7672G01	-	1	1	1	1	1
22	TIE		P05042-01	1	1	1	1	1	1
23	CLAMP		P04381-01	2	3	3	3	3	3
24	PROCESS TUBE		4Y7174M01	1	1	1	1	1	1
		IM-21CNE(NAV)	4Y8305M01	-	1	1	1	1	1
25	NYLON TIE	CV-100	7920-0002	4	4	4	4	4	4
26	CLAMP	No.4253	427902-05	1	-	-	-	-	-

HE,GRAM

MODEL: IM-30CNE(-25) IM-21CNE		TITLE: B.REFRIGERATION ASSY							
INDEX NO.	DESCRIPTION	MATERIAL OR MODEL NUMBER	PART NUMBER	REQ'D NUMBER					
				G-1 H-0	H-1 J-0	J-1	J-2		
G	FAN MOTOR ASSY		3E0058A01	1	1	1	1		
1	BASE		1H5500M01	1	1	1	1		
2	COMPRESSOR		450900-01	1	1	1	1		
		(230V 60Hz)	P01902-01	1	1	1	1		
	IM-21CNE(NAV)		462711-01	1	1	1	1		
			450901-01	1	1	1	1		
3	PTC STARTING DEVICE		450901-01	1	1	1	1		
	STARTING RELAY	IM-21CNE(NAV)	462712-01	1	1	1	1		
4	CORD RELIEF		4A3264-01	1	1	1	1		
		IM-21CNE(NAV)	462714-01	1	1	1	1		
5	COVER		450896-01	1	1	1	1		
		IM-21CNE(NAV)	462715-01	1	1	1	1		
6	RUBBER GROMMET		450897-01	4	4	4	4		
7	WASHER CUSHION		P02793-01	2	2	2	2		
8	STEEL PIN		452255-01	2	2	2	2		
9	CLIP		452256-01	2	2	2	2		
10	CONDENSER - AIR COOLED		P03554-01	1	1	1	1		
11	FLANGE BOLT (S-TITE)		FTQ0410M0	2	2	2	2		
12	HEX HEAD BOLT (SPRING WASHER AND FLAT WASHER)		FBK0612F0	2	2	2	2		
13	TEE		420041-03	1	1	1	1		
14	COPPER TUBE(H)		3Y8365M01	1	1	1	1		
15	COPPER TUBE(A)-HOT GAS	COPPER TUBE A-HOT GAS 4Y7178G01	4Y7172M01	1	1	1	1		
16	HOT GAS VALVE		P02539-01	1	1	1	1		
17	COPPER TUBE - DRIER		4Y7173M01	1	1	1	1		
18	DRIER		P03584-01	1	1	1	1		
19	EVAPORATOR		3H9020G02	-	-	-	-		
			2E0092G01	1	1	1	1		
		(IM-30CNE-25)	3H3881G01	1	1	1	-		
			2E0095G01	-	-	-	1		
20	HEAT EXCHANGER ASSY		3Y5633G01	1	1	1	1		
21	COPPER TUBE (L)		3Y5621G01	1	1	1	1		
		IM-21CNE(NAV)	3Y7672G01	1	1	1	1		
22	TIE		P05042-01	1	1	1	1		
23	CLAMP		P04381-01	3	3	3	3		
24	PROCESS TUBE		4Y7174M01	1	1	1	1		
		IM-21CNE(NAV)	4Y8305M01	1	1	1	1		





HE,GRAM

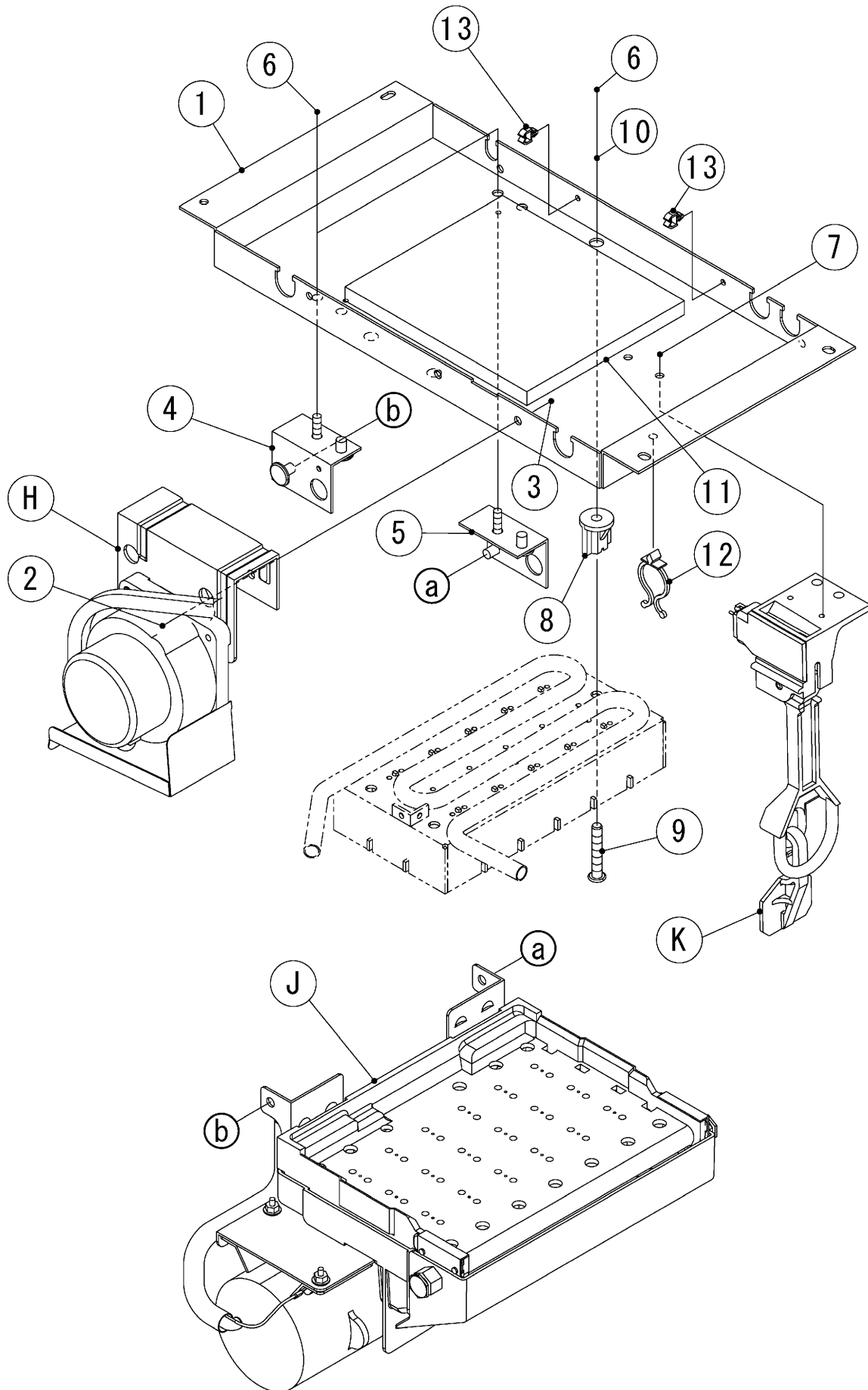
MODEL: IM-30CWNE(-25)			TITLE: B.REFRIGERATION ASSY						
INDEX NO.	DESCRIPTION	MATERIAL OR MODEL NUMBER	PART NUMBER	REQ'D NUMBER					
				A-1 B-0	B-1,C-0 D-0	D-1	D-2 E-0	E-1 F-0	F-1 G-0
1	BASE		2X0450M01	1	-	-	-	-	-
			2X1211M01	-	1	1	1	1	1
2	COMPRESSOR		450900-01	1	1	1	1	1	1
		(230V 60Hz)	P01902-01	-	-	-	-	1	1
3	STARTING RELAY		451264-01	1	1	1	1	1	1
		(230V 60Hz)	P01903-01	-	-	-	-	1	1
4	CORD RELIEF		4A3264-01	1	1	1	1	1	1
5	COVER		450896-01	1	1	1	1	1	1
6	RUBBER GROMMET		450897-01	4	4	4	4	4	4
7	WASHER CUSHION		P02793-01	2	2	2	2	2	2
8	STEEL PIN		452255-01	2	2	2	2	2	2
9	CLIP		452256-01	2	2	2	2	2	2
10	CONDENSER - WATER COOLED		2X0722G01	1	1	1	1	1	1
11	BRACKET - CONDENSER		4H5731-01	2	2	2	2	2	2
12	FLANGE BOLT (S-TITE)		FTQ0410M0	7	7	7	7	7	7
13	CLAMP(B) - CONDENSER		4H0622-01	3	3	3	3	3	3
14	TRUSS HEAD TAPPING SCREW T2		FT20408F0	3	3	3	3	3	3
15	EVAPORATOR		3H9020G02	1	1	1	1	1	1
		(IM-30CWNE-25)	3H3881G01	-	1	1	1	1	1
16	EXPANSION VALVE		P00381-01	1	1	1	1	1	1
17	VALVE COVER(A)		4Y3332-01	1	1	1	1	1	1
18	VALVE COVER(B)		4Y3333-01	1	1	1	1	1	1
19	CLAMP		443461-01	1	1	1	1	1	1
20	INSULATION		4X8643-01	1	1	1	1	1	1
21	TIE	CV-150	7920-0003	5	5	5	5	5	5
22	TEE		420335-01	1	1	1	1	1	1
23	HOT GAS VALVE		P02539-01	1	1	1	1	1	1
24	BRACKET - HOT GAS VALVE		4H5186-01	1	1	1	1	1	1
25	TEE		420041-03	1	1	1	1	1	1
26	COPPER TUBE(D)		4Y7361M01	1	1	1	1	1	1
27	TEE		417394-01	1	1	1	1	1	1
28	PRESSURE SWITCH	R134a,R22,R404A	459863-01	1	1	1	1	1	1
29	COPPER TUBE(C)		4Y7362M01	1	1	1	1	1	1
30	STRAINER		P00008-01	1	1	1	1	1	1
31	BRACKET - WATER REGULATOR		4Y7363M01	1	1	1	1	1	-
			4Y7363M02	-	-	-	-	-	1
32	WATER REGULATOR		P04020-01	1	1	1	1	1	1
33	TRUSS HEAD MACHINE SCREW		FST0406S0	2	2	2	2	2	2
34	COPPER TUBE(A)		4Y7364M01	1	1	1	1	1	1
35	COPPER TUBE(E) - HOT GAS		3Y5892G01	1	1	1	1	1	1

HE,GRAM

MODEL: IM-30CWNE(-25)			TITLE: B.REFRIGERATION ASSY						
INDEX NO.	DESCRIPTION	MATERIAL OR MODEL NUMBER	PART NUMBER	REQ'D NUMBER					
				G-1 H-0	H-1 J-0	J-1	J-2		
1	BASE		2X1211M01	1	1	1	1		
2	COMPRESSOR		450900-01	1	1	1	1		
		(230V 60Hz)	P01902-01	1	1	1	1		
3	STARTING RELAY		451264-01	1	1	1	1		
		(230V 60Hz)	P01903-01	1	1	1	1		
4	CORD RELIEF		4A3264-01	1	1	1	1		
5	COVER		450896-01	1	1	1	1		
6	RUBBER GROMMET		450897-01	4	4	4	4		
7	WASHER CUSHION		450894-01	2	2	2	2		
		(230V 60Hz)	P02793-01	1	1	1	1		
8	STEEL PIN		452255-01	2	2	2	2		
9	CLIP		452256-01	2	2	2	2		
10	CONDENSER - WATER COOLED		2X0722G01	1	1	1	1		
11	BRACKET - CONDENSER		4H5731-01	2	2	2	2		
12	FLANGE BOLT (S-TITE)		FTQ0410M0	7	7	7	7		
13	CLAMP(B) - CONDENSER		4H0622-01	3	3	3	3		
14	TRUSS HEAD TAPPING SCREW T2		FT20408F0	3	3	3	3		
15	EVAPORATOR		3H9020G02	-	-	-	-		
			2E0092G01	1	1	1	1		
		(IM-30CWNE-25)	3H3881G01	1	1	1	-		
			2E0095G01	-	-	-	1		
16	EXPANSION VALVE		P00381-01	1	1	1	1		
17	VALVE COVER(A)		4Y3332-01	1	1	1	1		
18	VALVE COVER(B)		4Y3333-01	1	1	1	1		
19	CLAMP		443461-01	1	1	1	1		
20	INSULATION		4X8643-01	1	1	1	1		
21	TIE	CV-150	7920-0003	5	5	5	5		
22	TEE		420335-01	1	1	1	1		
23	HOT GAS VALVE		P02539-01	1	1	1	1		
24	BRACKET - HOT GAS VALVE		4H5186-01	1	1	1	1		
25	TEE		420041-03	1	1	1	1		
26	COPPER TUBE(D)		4Y7361M01	1	1	1	1		
27	TEE		417394-01	1	1	1	1		
28	PRESSURE SWITCH	R134a,R22,R404A	459863-01	1	1	1	1		
29	COPPER TUBE(C)		4Y7362M01	1	1	1	1		
30	STRAINER		P00008-01	1	1	1	1		
31	BRACKET - WATER REGULATOR		4Y7363M02	1	1	1	1		
32	WATER REGULATOR		P04020-01	1	1	1	1		
33	TRUSS HEAD MACHINE SCREW		FST0406S0	2	2	2	2		
34	COPPER TUBE(A)		4Y7364M01	1	1	1	1		

IM-30CNE(-25)
IM-30CWNE(-25)
IM-21CNE

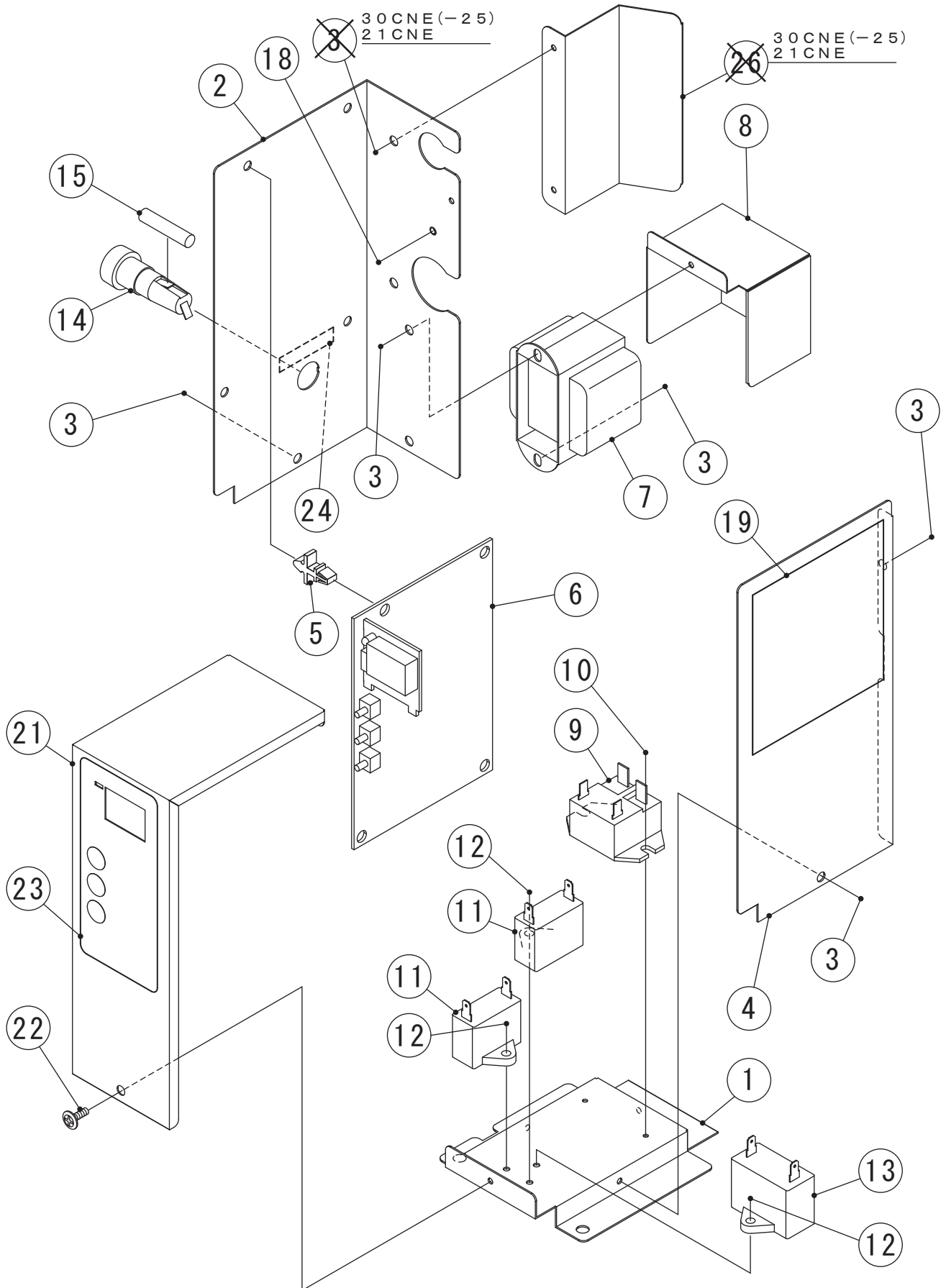
C. ICE MAKING MECHANISM ASSY (A-1) and later



IM-30CNE(-25)
IM-30CWNE
IM-21CNE

D. CONTROL BOX ASSY

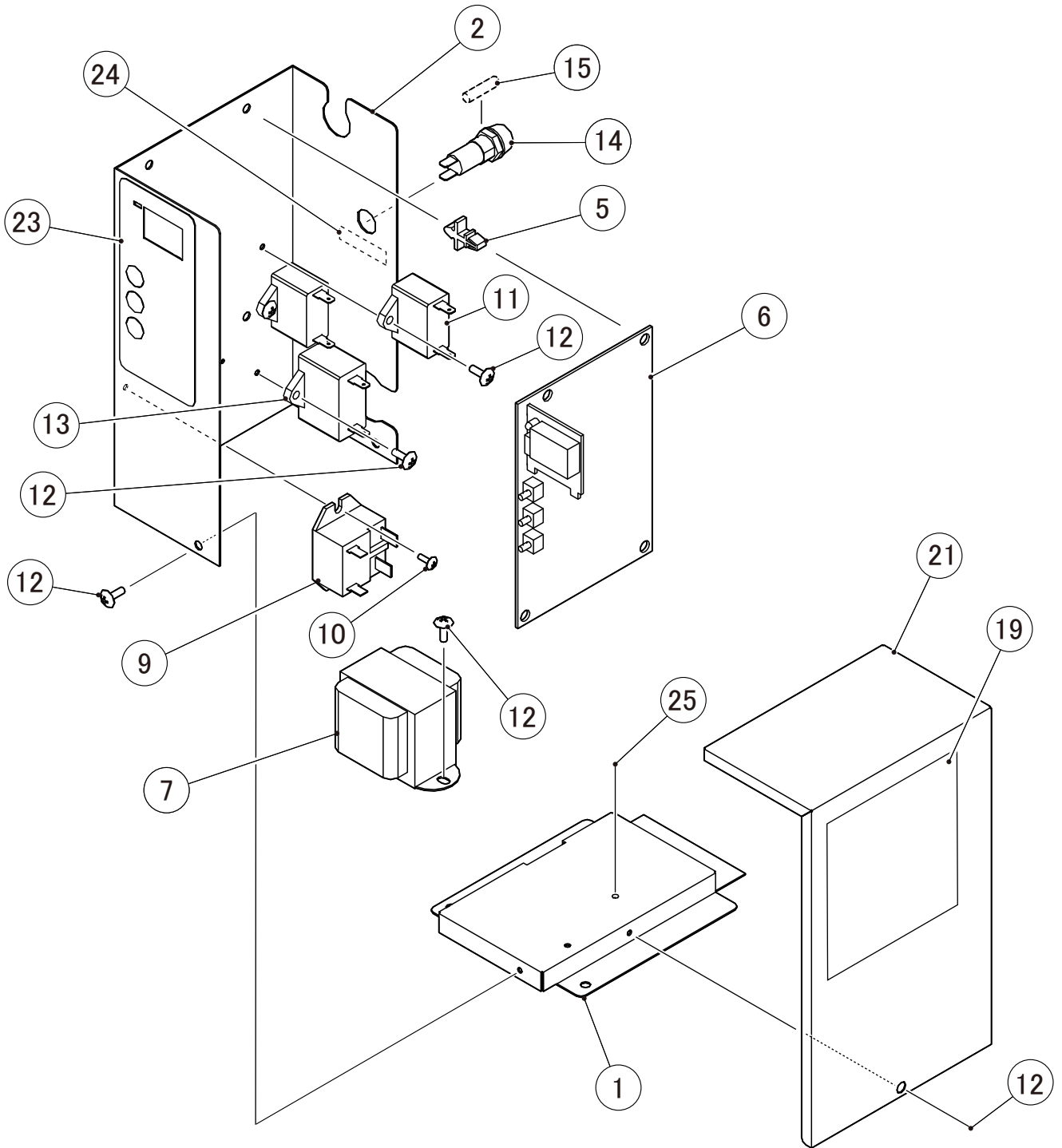
(A-1) (B-0)



IM-30CNE(-25)
IM-30CWNE(-25)
IM-21CNE

D. CONTROL BOX ASSY

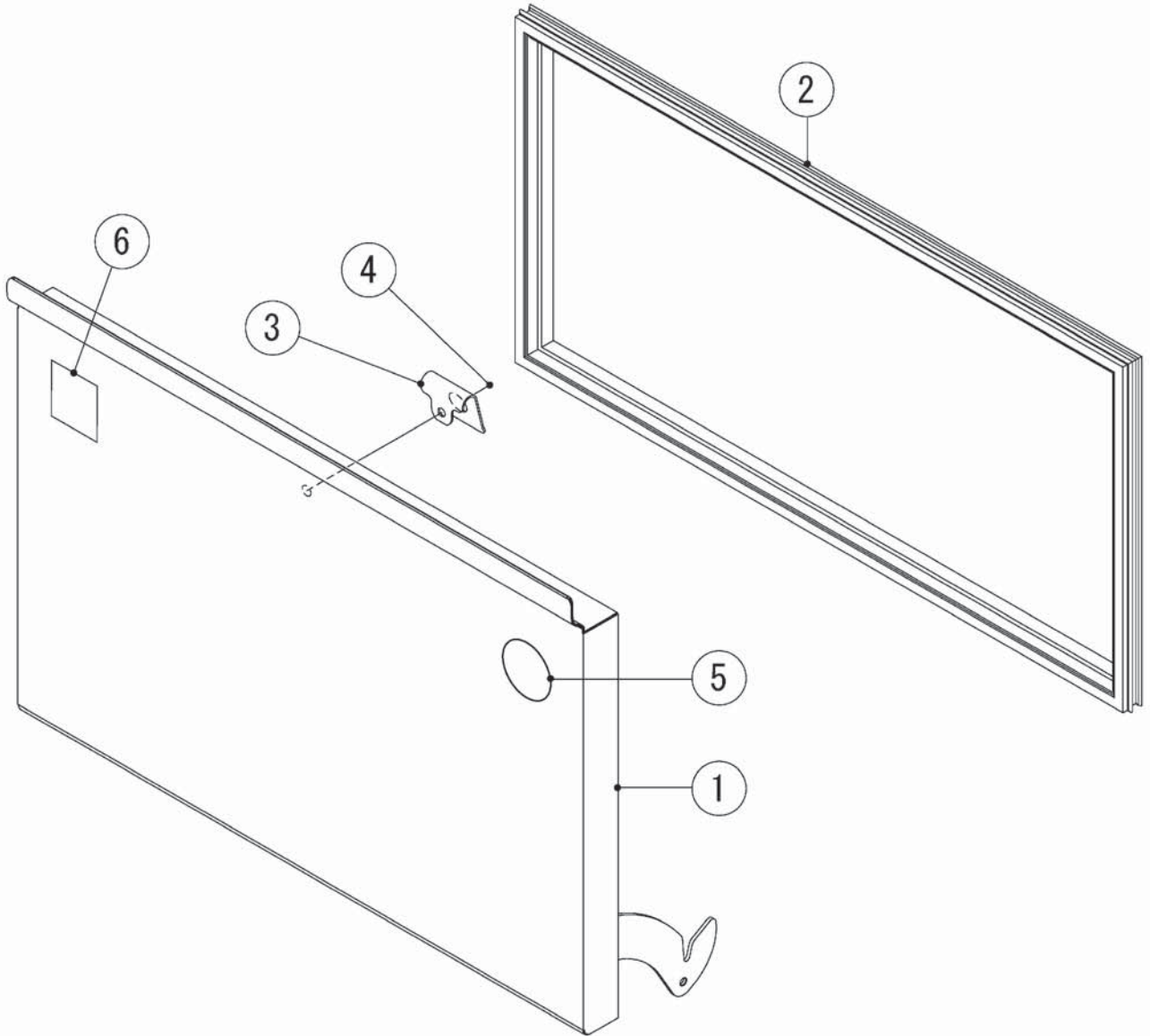
(B-1) and later



IM-30CNE(-25)
IM-30CWNE(-25)
IM-21CNE

E. DOOR ASSY

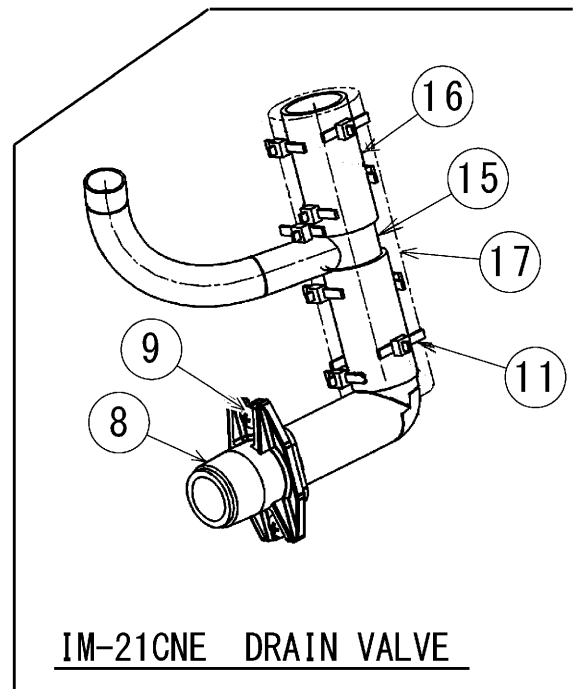
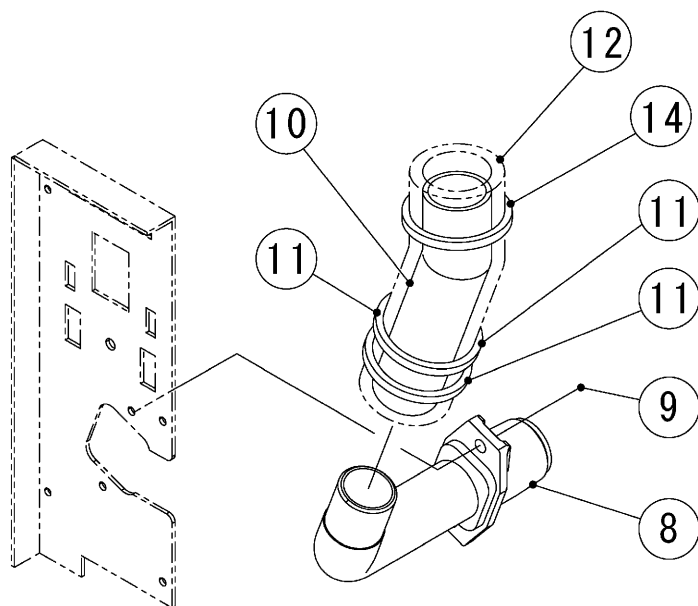
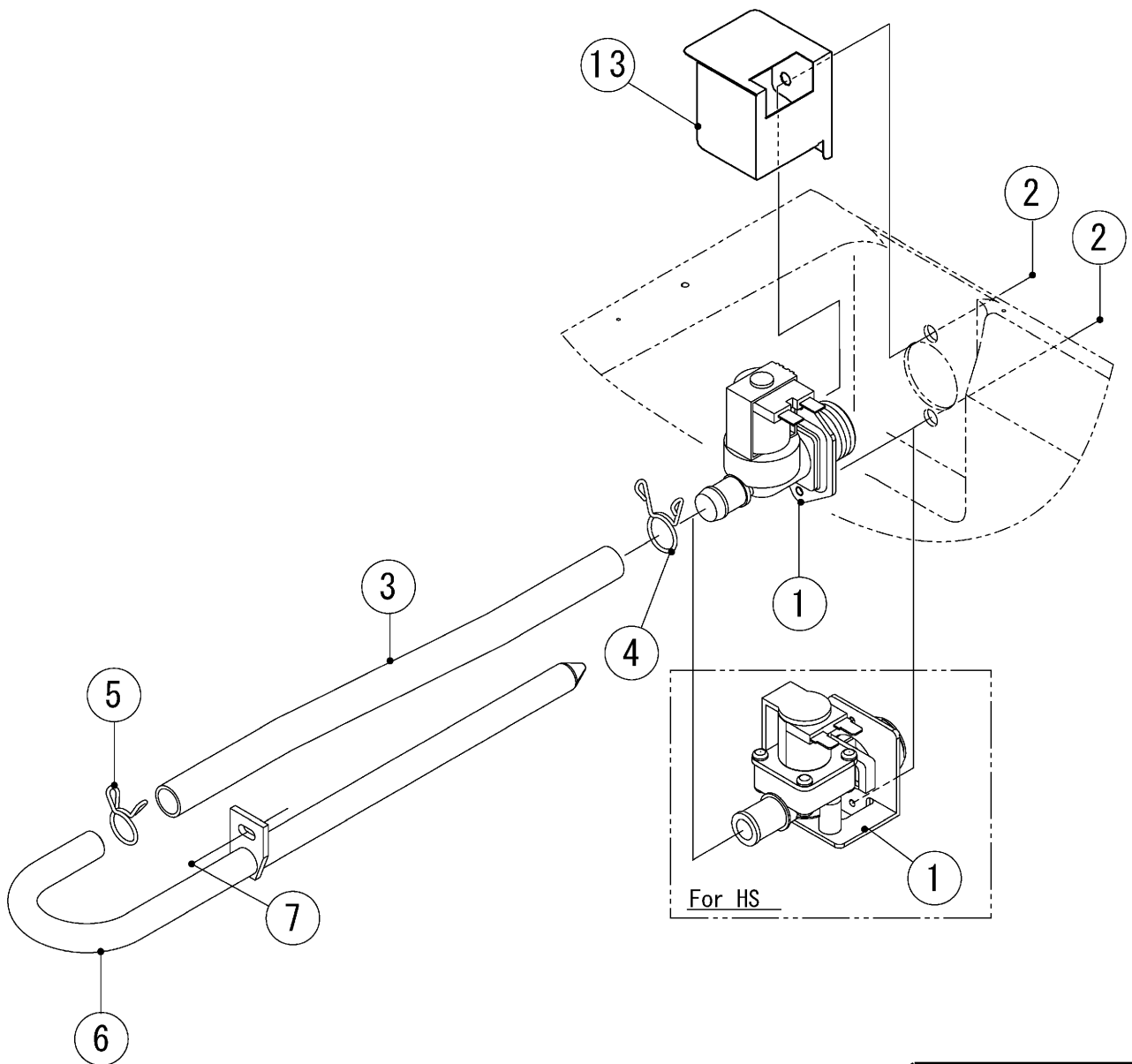
(A-1) and later



IM-30CNE(-25)
IM-30CWNE(-25)
IM-21CNE

F. WATER CIRCUIT ASSY

(A-1) and later

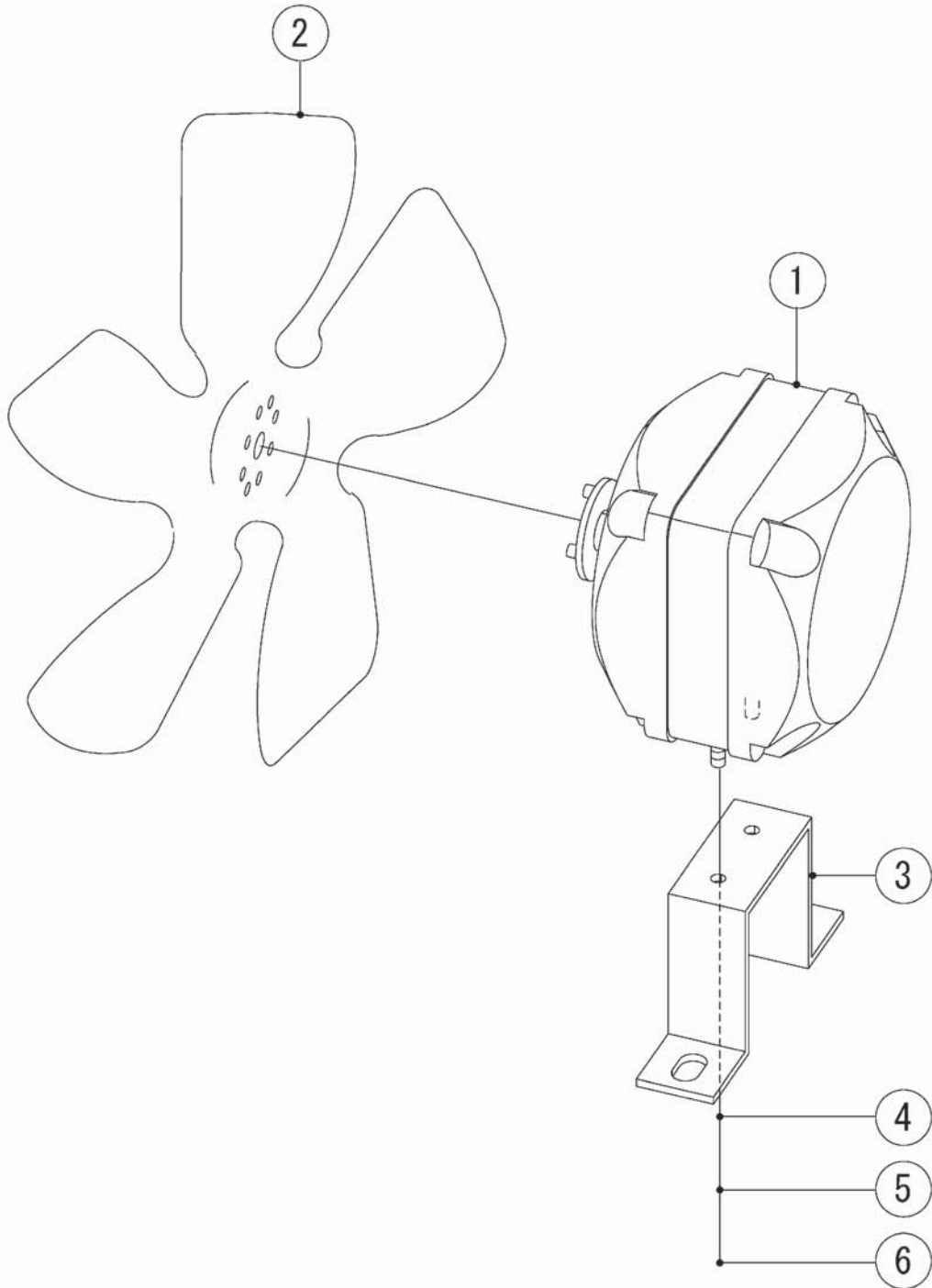


IM-21CNE DRAIN VALVE

IM-30CNE(-25)
IM-21CNE

G. FAN MOTOR ASSY

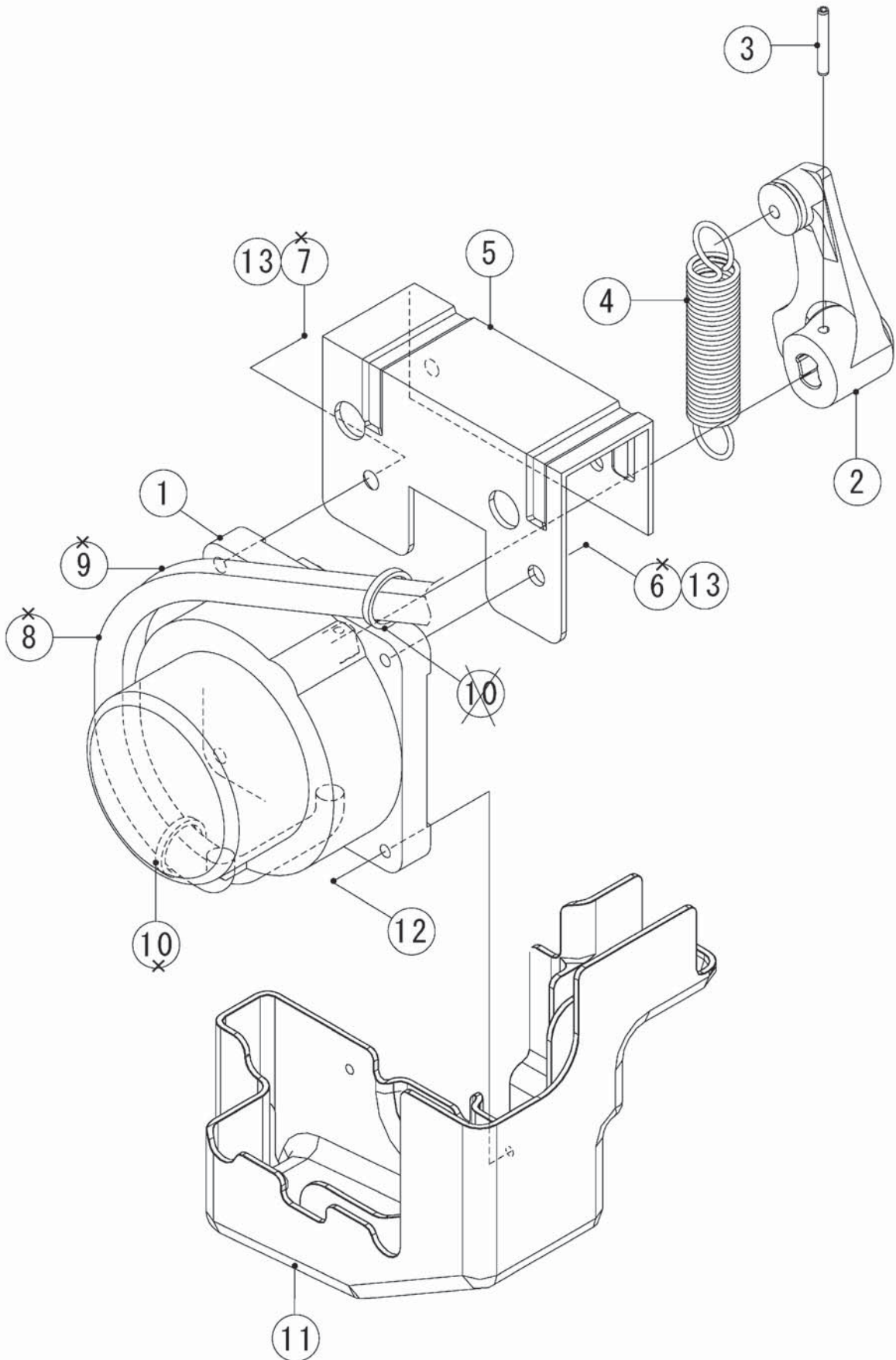
(A-1) and later



IM-30CNE(-25)
IM-30CWNE(-25)
IM-21CNE

H. ACTUATOR MOTOR ASSY

(A-1) and later



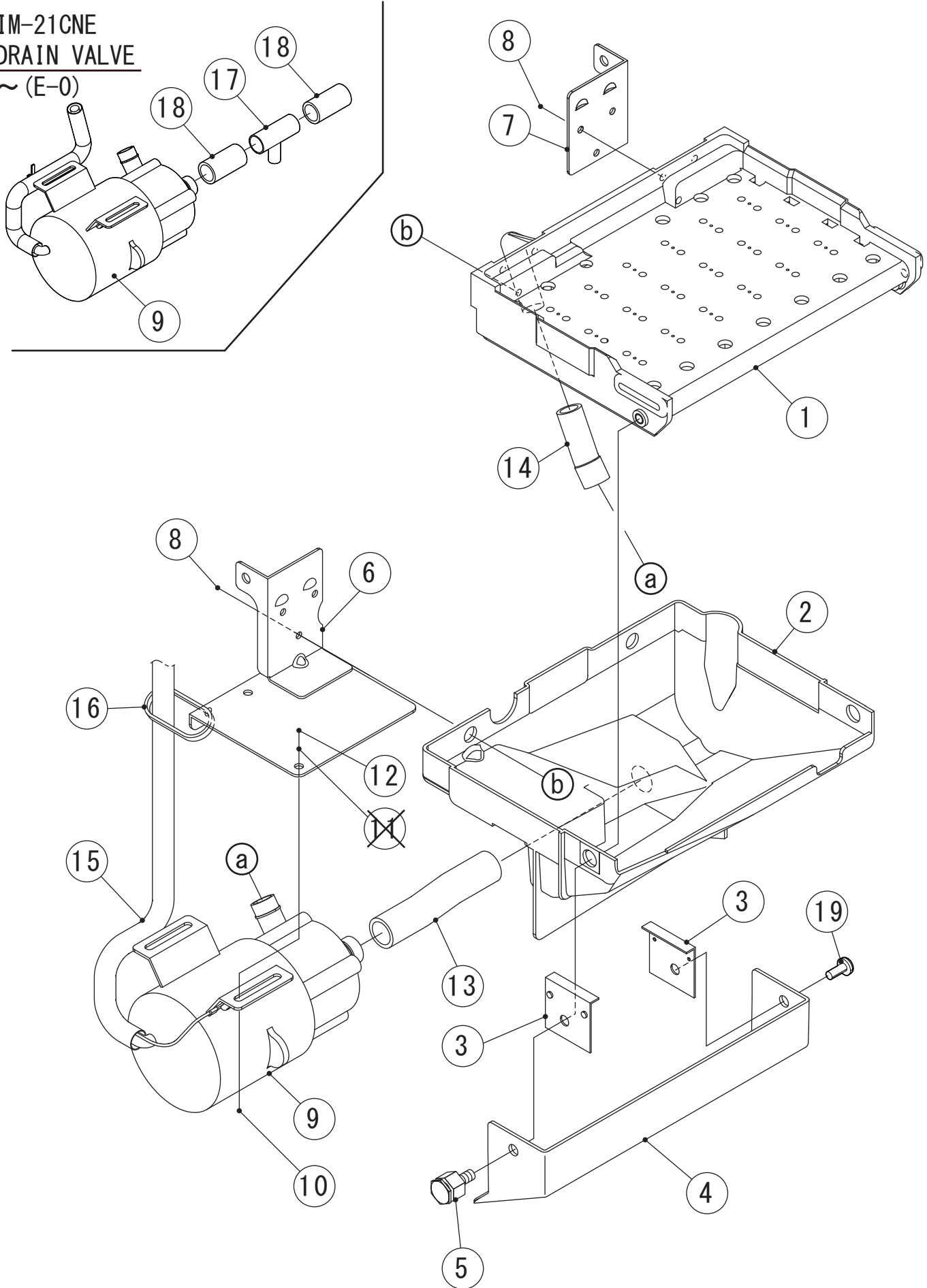
IM-30CNE(-25)
 IM-30CWNE(-25)
 IM-21CNE

J. WATER PAN ASSY

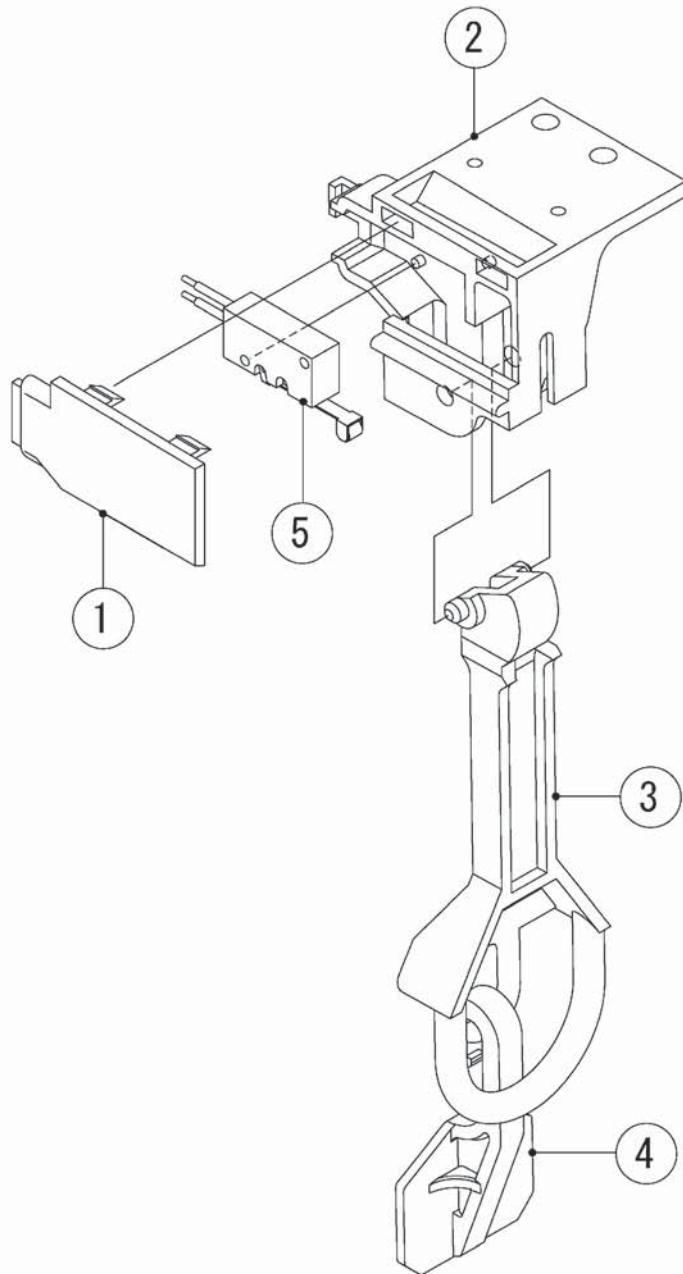
(A-1) and later

IM-21CNE
 DRAIN VALVE

~ (E-0)



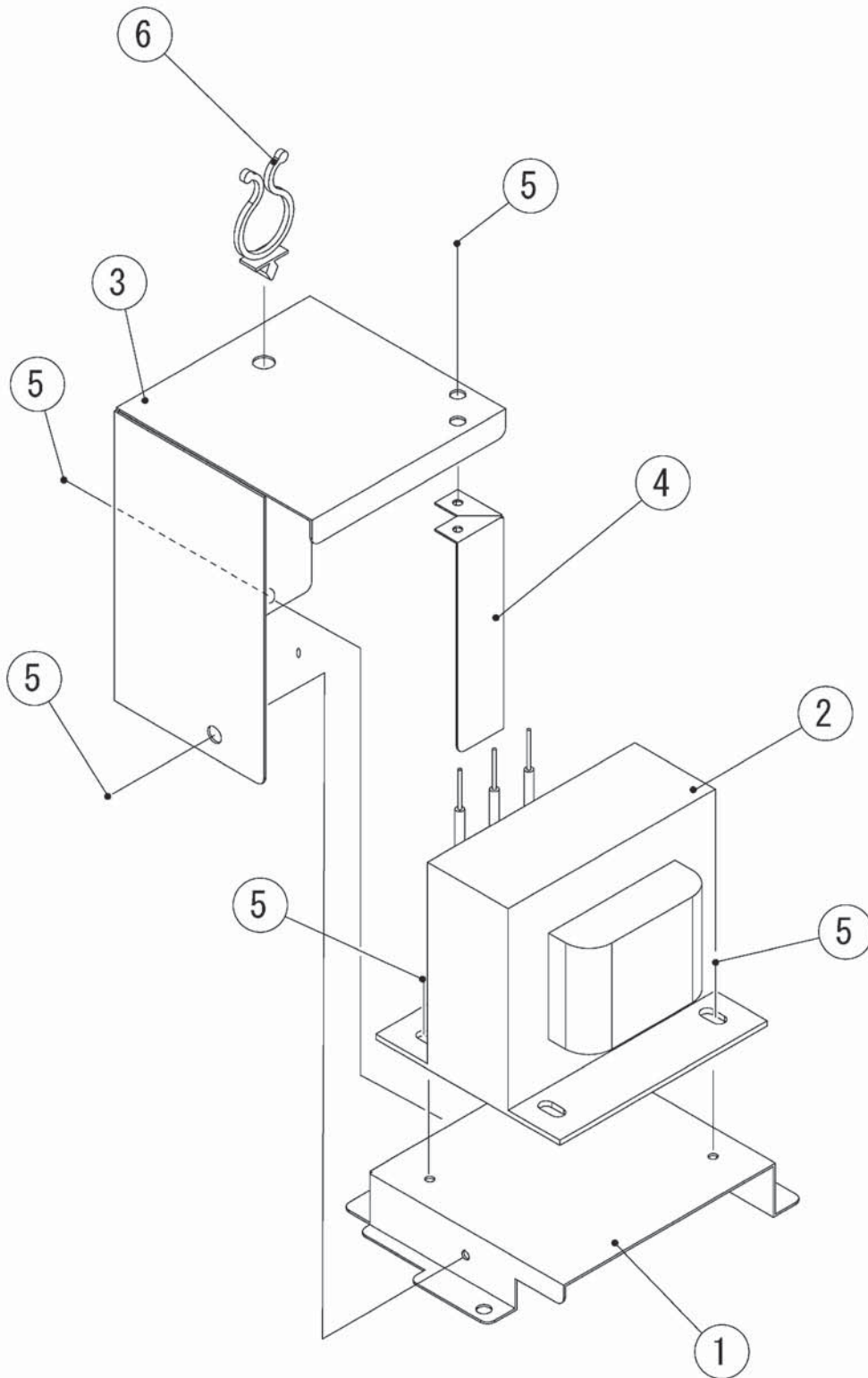
IM-30CNE(-25)
IM-30CWNE(-25)
IM-21CNE K. BIN CONTROL SWITCH ASSY (A-1) and later



IM-21CNE
(115V 60Hz UK-NAVY)

L. TRANSFORMER ASSY

(C-0) and later



IM-30CNE(-25)
IM-30CWNE(-25)
IM-21CNE

M. ACCESSORIES

(A-1) and later

