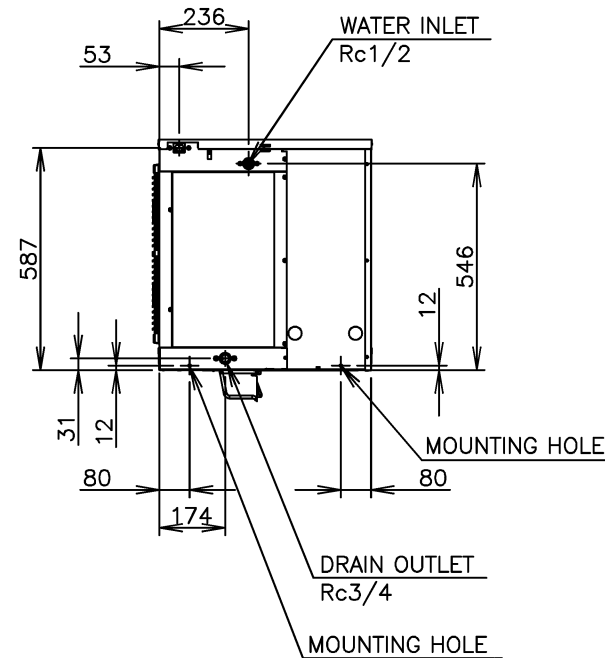


WEIGHT	Net weight 57kg / Gross weight 73kg	ITEM	Hoshizaki Crescent Ice Maker
PACKAGE	Carton 668mm (W) x 727mm (D) x 783mm (H)	MODEL	KMD-270AB
ACCESSORIES	Instruction Manual, Universal Brace (2), Bolt (2) Check Valve (-C111), Nipple (-C111) Power Cord-SE type plug (-C141), BF type plug (-C121, 171) O type plug (-C101, 111)	AC SUPPLY VOLTAGE	1 Phase 220-240V 50Hz
		AMPERAGE	4.9A (AT. 32°C, WT. 21°C)
		STARTING AMPERAGE	24A
OPERATION CONDITION	Ambient Temp. : 7-40°C, Water Supply Temp. : 7-35°C Water Supply Pressure: 0.07-0.8MPa (0.7-8bar) Voltage Range: ±6%	ELECTRICAL CONSUMPTION	984W (AT. 32°C, WT. 21°C)
		POWER FACTOR	88%

- \*We reserve the right to make changes in specifications and design without prior notice.
1. Install the product properly in accordance with the instructions on location, water supply/drain connections and electrical connections stated in the instruction and installation manuals provided.
  2. The ice production depends on the ambient and water temperatures. Refer to the instruction manual.
  3. Product Code: F134

POWER SUPPLY CAPACITY	Min. 1.67kVA (7.3A)
ICE PRODUCTION PER 24h	Approx. 275kg/d (AT. 10°C, WT. 10°C) Approx. 255kg/d (AT. 21°C, WT. 15°C) Approx. 221kg/d (AT. 32°C, WT. 21°C)
WATER CONSUMPTION PER 24h	Approx. 0.98m³/d (AT. 10°C, WT. 10°C) Approx. 0.55m³/d (AT. 21°C, WT. 15°C) Approx. 0.33m³/d (AT. 32°C, WT. 21°C)
SHAPE OF ICE	Crescent Cube
FREEZE CYCLE TIME	Approx. 26.8Min (AT. 21°C, WT. 15°C)
ICE PRODUCTION PER CYCLE	Approx. 5.3kg/572pcs (AT. 21°C, WT. 15°C)
OUTSIDE DIMENSIONS	560mm (W) x 625mm (D) x 610mm (H) (not incl. Bin Sw)
EXTERIOR	Stainless Steel, Plastic Frame (Front), Galvanized Steel (Rear)
INSULATION	Polyurethane Foam
INSULATION FOAM BLOWING AGENT	Cyclopentane
CONNECTIONS-ELECTRIC	X-type Connection (With Plug)
CONNECTIONS-WATER SUPPLY	Inlet Rc1/2 (connected at rear side)
CONNECTIONS-DRAIN	Outlet Rc3/4 (connected at rear side)
ICE MAKING SYSTEM	Vertical Evaporator with water flow on both sides
HARVESTING SYSTEM	Water Supply Harvest Cycle and Hot Gas Defrost
COMPRESSOR	Hermetic
CONDENSER	Air-cooled, Fin and Tube type
HEAT REJECTION	2435W (2094kcal/h) (AT. 32°C, WT. 21°C)
EVAPORATOR	Vertical type, Stainless Steel and Copper
REFRIGERANT CONTROL	Thermostatic Expansion Valve
REFRIGERANT	R404A/780g
ICE MAKING CONTROL SYSTEM	Float Switch
HARVESTING CONTROL SYSTEM	Hot Gas and Water, Thermistor and Timer
ICE MAKING WATER CONTROL SYSTEM	Timer Controlled, Overflow Pipe
BIN CONTROL SYSTEM	Mechanical Bin Switch
ELECTRICAL PROTECTION	Class I Appliance, 5A Fuse
P.C. BOARD CIRCUIT PROTECTION	High Voltage Cut-out (Internal)
COMPRESSOR PROTECTION	Auto-reset Overload Protector (Internal)
REFRIGERANT CIRCUIT PROTECTION	Auto-reset High Pressure Control Switch
LOW WATER PROTECTION	Float Switch



# HOSHIZAKI CRESCENT ICE MAKER KMD-270AB (MODULAR TYPE)

APPROVED NISHIO	CHECKED YAMAOKA	DESIGNED KOSHI	DRAWN UEDA	SCALE 1/20	TRIGONOMETRY
YAMAGUCHI APPROVED	ZHANG DESIGNED	2019.07.13 DATE	2019.05.17 DATE	D25008 DRAWING NO.	△ SYMBOL