



MODULAR CRESCENT CUBER

KMD-270AB (50Hz)

PARTS LIST

[HSH] [HLP] [HS,HMS] [HE] [SOUTHEAST ASIA]
[HID]

F134-C101, F134-C111, F134-C121, F134-C141
F134-C171, F134-C271, F134-D111, F134-D121
F134-D141, F134-D171, F134-D173, F134-D174
F134-D271

J-1 MAY. 2019
K-1 JUL. 2020
K-2 DEC. 2020
L-1 DEC. 2021
M-1 APR. 2022

List of Specifications

MODEL	MODEL NUMBER	DESTINATION	SPEC
KMD-270AB	F134-C101	HSH	220-240V/50Hz
	F134-C111	HLP	220-240V/50Hz
	F134-D111	HLP	220-240V/50Hz
	F134-C121	HS,HMS	220-240V/50Hz
	F134-D121	HS,HMS	220-240V/50Hz
	F134-C141	HE	220-240V/50Hz
	F134-D141	HE	220-240V/50Hz
	F134-C171	SOUTHEAST ASIA	220-240V/50Hz
	F134-D171	SOUTHEAST ASIA	220-240V/50Hz
	F134-D173	HTH	220-240V/50Hz
	F134-D174	VN	220-240V/50Hz
	F134-C271	HID	220-240V/50Hz
	F134-D271	HID	220-240V/50Hz

AUXILIARY CODE

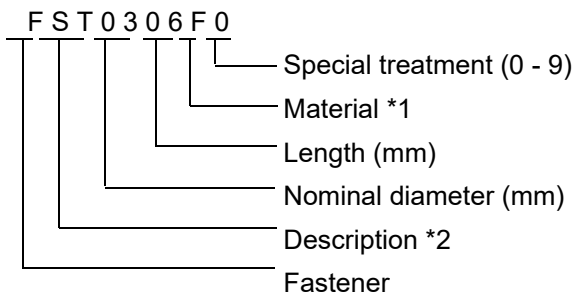
U - 1

The auxiliary code is the first two characters in the serial number. The first character indicates the production year. Years progress or regress in alphabetical order. The series of letters and skipped letters depend on UL listing, production, and model. See the auxiliary code(s) and corresponding year(s) on the front cover.

The second character indicates significant part changes within the same year. Base is "1" and this number advances for each change. If there is no significant part change at the turn of the year, this number starts from "0."

FASTENER PART NUMBER

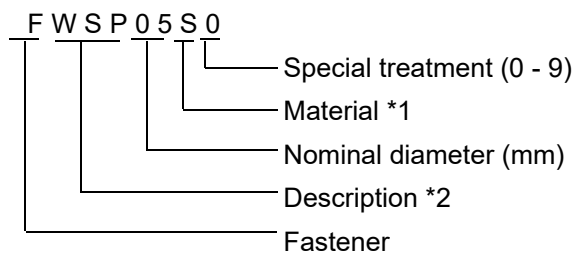
SCREWS



*₁ Material

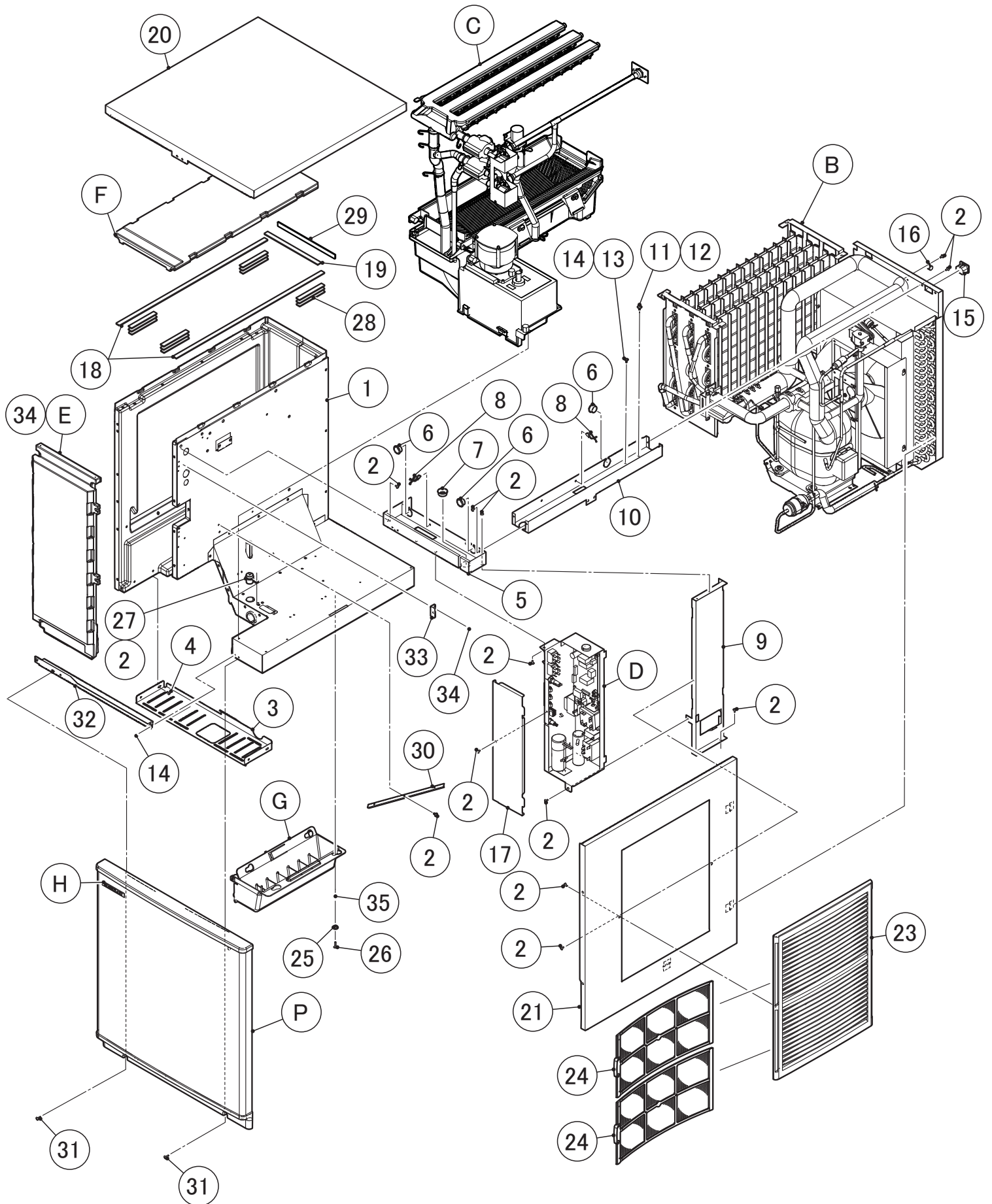
F: Steel
S: Austenitic stainless steel
M: Martensitic stainless steel
B: Copper alloy
P: Polycarbonate
N: Polyamide
V: PVC
A: ABS
X: Polyacetal
L: Aluminum

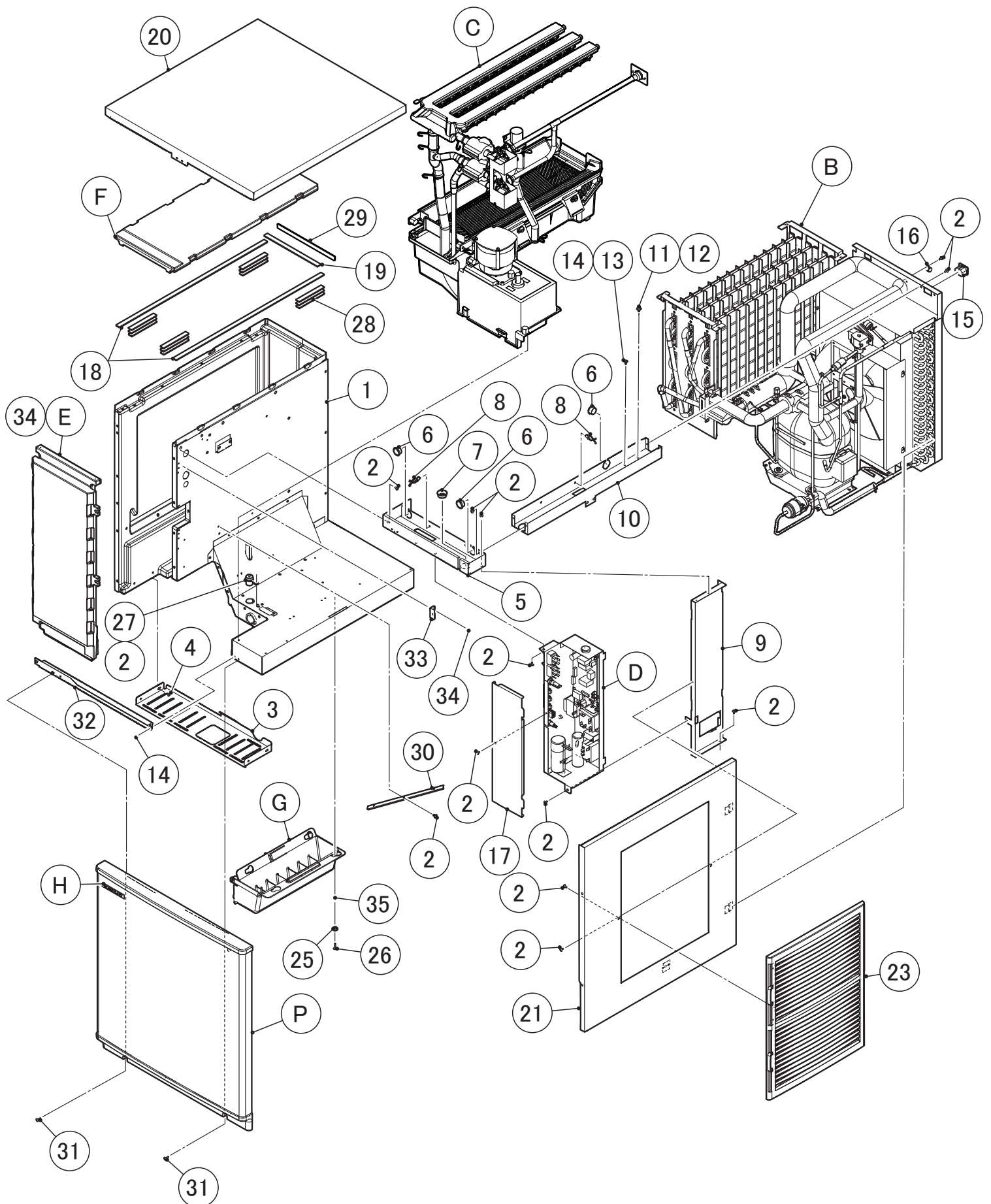
NUTS & WASHERS



*₂ Description

First letter
S: Machine screw
T: Tapping screw
M: Wood screw
B: Bolt
W: Washer
N: Nut





MODEL: **KMD-270AB**TITLE: **A. ICE CUBER ASSY**

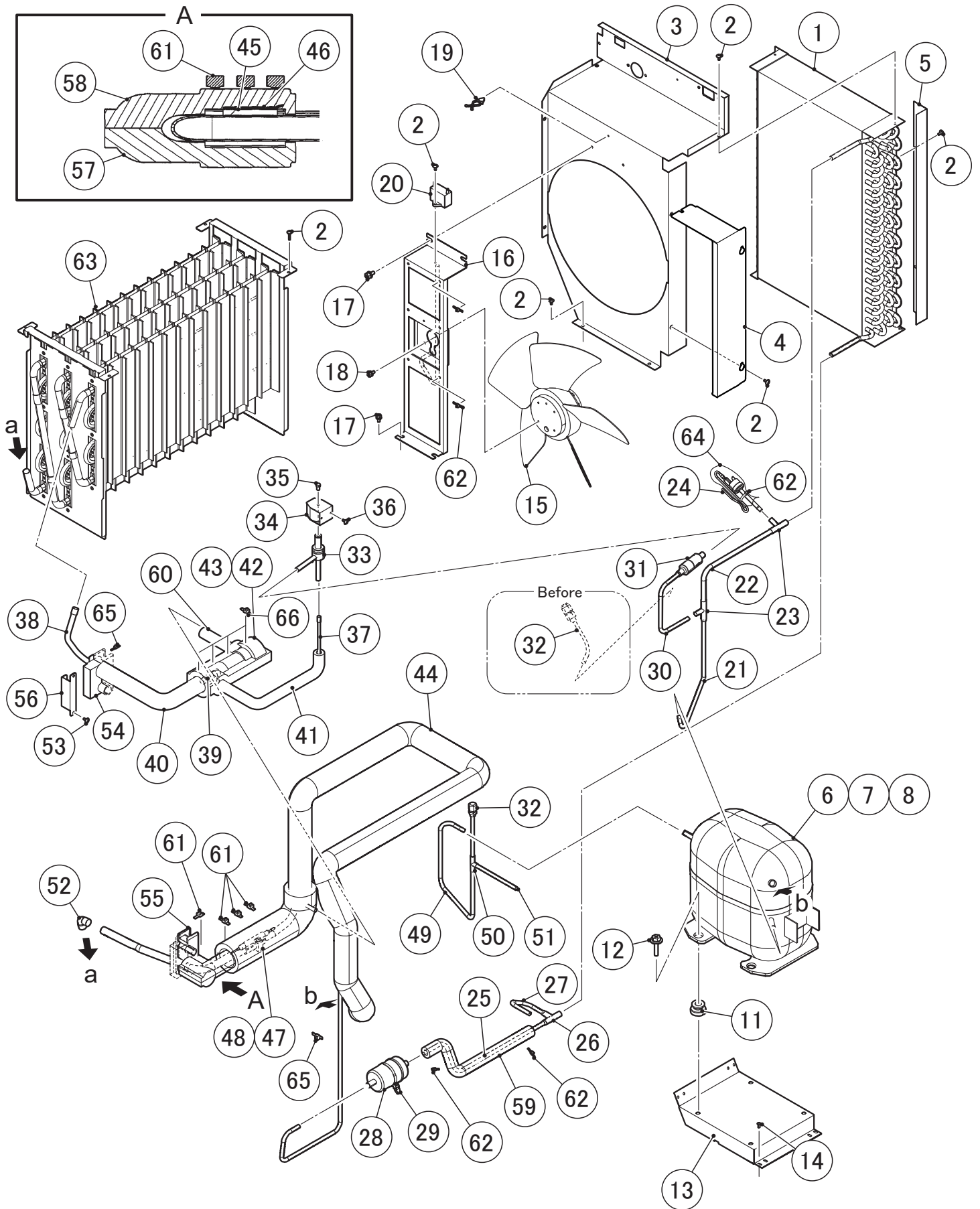
INDEX NO.	DESCRIPTION	MATERIAL OR MODEL NUMBER	PART NUMBER	REQ'D NUMBER			
				J-1 K-1	K-2 L-0	L-1 and later	
B	REFRIGERATION CIRCUIT	F134-C111,F134-C121 F134-C141,F134-C171 F134-C271	120766A02	1	1	1	
		F134-C101	120766A02	1	-	-	
		F134-C101,F134-D111 F134-D121,F134-D141 F134-D171,F134-D271 F134-D173,F134-D174	120766A03	-	1	1	
C	WATER CIRCUIT	F134-C121,F134-C271 F134-C141,F134-C171	128193A01	1	1	1	
		F134-C101	128193A01	1	-	-	
		F134-C101,F134-D141 F134-D171,F134-D271 F134-D173,F134-D174	128193A03	-	1	1	
		F134-C111	127777A02	1	1	1	
		F134-D111	127777A04	-	1	1	
		F134-D121	128193002	-	1	1	
D	CONTROL BOX ASSY		278072A01	1	1	1	
		F134-C111,F134-D111	278072001	-	-	1	
		F134-C141,F134-D141	278072A02	-	-	1	
E	FRONT INSULATION ASSY		388861A01	1	1	-	
			388861A02	-	-	1	
F	TOP INSULATION ASSY		374537A01	1	1	-	
			374537A02	-	-	1	
G	BIN SWITCH		371886A01	1	1	1	
H	LABEL LOCATION	F134-C111,F134-D111 F134-C121,F134-D121 F134-C171,F134-D171 F134-D173,F134-D174	128194A01	1	1	1	
		F134-C271,F134-D271	128194002	-	-	1	
		F134-C101	128194A03	1	1	1	
		F134-C141,F134-D141	128194A04	1	1	1	
L	ACCESSORIES	F134-C121,F134-D121 F134-C141,F134-D141 F134-C171,F134-C271 F134-D171,F134-D271 F134-D173,F134-D174	A03764-01	1	1	1	
		F134-C101	A03768-01	1	1	1	
		F134-C111,F134-D111	A03767-01	1	1	1	
M	OPTIONAL PARTS		OPT-F129	1	1	1	

MODEL: **KMD-270AB**TITLE: **A. ICE CUBER ASSY**

INDEX NO.	DESCRIPTION	MATERIAL OR MODEL NUMBER	PART NUMBER	REQ'D NUMBER			
				J-1 K-1	K-2 L-0	L-1 and later	
P	FRONT PANEL		277051G01	1	1	1	
1	EVAP. CASE	F134-C111,F134-C121 F134-C141,F134-C171 F134-C271	127328G05	1	1	1	
		F134-C101,F134-D111 F134-D121,F134-D141 F134-D171,F134-D271 F134-D173,F134-D174	127328G12	1	1	1	
2	T2 SCREW	4X8	FT20408F0	23	23	23	
		F134-C101	FT20408F0	23	3	3	
		F134-D111,F134-D121 F134-D141,F134-D171 F134-D173,F134-D174 F134-D271	FT20408F0	-	8	8	
3	BOTTOM FRAME		275771M01	1	1	1	
4	T2 SCREW	4X8 SUS	FT20408M0	4	4	4	
5	TOP FRAME		371867M02	1	1	1	
6	BUSHING		428394-05	3	3	3	
7	BUSHING		428394-01	1	1	1	
8	WIRE RETAINER		427902-03	3	3	3	
9	SIDE FRAME (A)	F134-C111,F134-C121 F134-C141,F134-C171 F134-C271	371873M01	1	1	1	
		F134-C101	371873M02	1	1	1	
		F134-D111,F134-D121 F134-D141,F134-D171 F134-D173,F134-D174 F134-D271	371873M02	-	1	1	
10	SIDE FRAME (B)		371866M02	1	1	1	
11	SPRING WASHER	SUS 5	FWSP05S0	1	1	1	
12	TRUSS HEAD SCREW	SUS 5X8	FST0508S0	1	1	1	
13	SPRING WASHER	SUS 4	FWSP04S0	1	1	1	
14	TRUSS HEAD SCREW	SUS 4X8	FST0408S0	7	7	6	
		F134-C101	FST0408S0	7	27	21	
		F134-D111,F134-D121 F134-D141,F134-D171 F134-D271	FST0408S0	-	22	21	
		F134-D173,F134-D174	FST0408S0	-	25	21	
15	CONNECTOR		P02656-01	1	1	1	

MODEL: **KMD-270AB**TITLE: **A. ICE CUBER ASSY**

INDEX NO.	DESCRIPTION	MATERIAL OR MODEL NUMBER	PART NUMBER	REQ'D NUMBER			
				J-1 K-1	K-2 L-0	L-1 and later	
16	CLAMP	NK-6N	418814-06	1	1	1	
17	CONT. BOX COVER		371874M01	1	1	1	
18	GASKET	L=572	128192Z01	2	2	2	
19	GASKET	L=203	128192Z02	1	1	1	
20	TOP PANEL		274705M01	1	1	1	
21	SIDE PANEL (R)		255966G05	1	1	-	
	SIDE PANEL (R1)		255966M09	-	-	1	
23	LOUVER ASSY		3C0589A01	-	-	1	
	LOUVER		120457P01	1	1	-	
	AIR FILTER		258589G01	2	2	-	
25	COLLAR		435269-01	4	4	4	
26	T2 SCREW	4X16 SUS	FT20416M0	4	4	4	
27	HOLE PLUG		373078R01	1	1	1	
28	GASKET	L=50	128192Z03	12	12	12	
29	GASKET	L=215	128192Z04	1	1	1	
30	PLATE - SIDE PANEL	F134-C111,F134-C121 F134-C141,F134-C171 F134-C271	379577M01	1	1	1	
		F134-C101	379577M01	1	-	-	
		F134-C101,F134-D111 F134-D121,F134-D141 F134-D171,F134-D271 F134-D173,F134-D174	379577M02	-	1	1	
31	PAN HEAD SCREW SW		FSK0412S0	3	3	5	
32	FRONT FRAME		388187G01	1	1	1	
33	BRACKET (A) - INSULATION	F134-C111,F134-C121 F134-C141,F134-C171 F134-C271	484783M01	2	2	2	
		F134-C101	484783M01	2	-	-	
		F134-C101,F134-D111 F134-D121,F134-D141 F134-D171,F134-D271 F134-D173,F134-D174	484783M02	-	2	2	
34	THUMB SCREW		415949G13	4	4	4	
35	FLAT WASHER		FWPL04S0	4	4	4	
36	PAN HEAD MACHINE SCREW		FSK0425S0	-	-	2	



MODEL: **KMD-270AB**TITLE: **B. REFRIGERATION CIRCUIT**

INDEX NO.	DESCRIPTION	MATERIAL OR MODEL NUMBER	PART NUMBER	REQ'D NUMBER				
				J-1 K-0	K-1	K-2 L-0	L-1 M-0	M-1 and later
1	CONDENSER		P00814-01	1	1	1	1	1
2	T2 SCREW	F134-C111,F134-C121 F134-C141,F134-C171 F134-C271	FT20408F0	17	17	17	17	17
		F134-C101	FT20408F0	17	17	17	13	13
		F134-D111,F134-D121 F134-D141,F134-D171 F134-D173,F134-D174 F134-D271	FT20408F0	-	-	12	13	13
3	SHROUD		255968M01	1	1	1	1	1
4	FAN BLADE COVER		390094M01	1	1	1	1	1
5	BARRIER		371872M01	1	1	1	1	1
6	COMPRESSOR		P01825-01	1	1	1	1	1
7	COVER		459924-01	1	1	1	1	1
8	CORD RELIEF		452239-01	1	1	1	1	1
9	TIE	CV-200	7920-0010	13	13	13	13	13
10	TIE	CV-100	7920-0002	7	7	7	7	7
11	RUBBER GROMMET		450897-01	4	4	4	4	4
12	BOLT		C05825-01	4	4	2	2	2
13	COMP. MOUNT		374036G01	1	1	1	1	1
14	RIVET	SSD43SSBS(t3.2~4.8)	374036G01	8	8	8	8	8
15	FAN MOTOR	A4E300-AE20-06	P00848-01	1	-	-	-	-
		A4E300-AU20-08	P02595-01	-	1	1	1	-
		A4E300AS72-52/A02	P06054-01	-	-	-	-	1
16	FAN MOTOR BRACKET		371870G01	1	-	-	-	-
			391482G01	-	1	1	1	1
17	HEX HEAD BOLT W/WASHER [SW]		FBK0510S0	4	4	4	4	4
18	HEX HEAD BOLT W/WASHER [SW]		FBK0408S0	3	3	3	3	3
19	CLAMP	No.249	427902-03	1	1	1	1	1
20	CAPACITOR		P00849-01	1	1	1	1	-
			P01865-01	-	-	-	-	1
21	COPPER TUBE (A1) - HIGH SIDE	COPPER TUBE (A) - HIGH SIDE 374037G01	374140M01	1	1	1	1	1
22	COPPER TUBE (A2) - HIGH SIDE	COPPER TUBE (A) - HIGH SIDE 374037G01	374037M01	1	1	1	1	1

MODEL: **KMD-270AB**

TITLE: **B. REFRIGERATION CIRCUIT**

INDEX NO.	DESCRIPTION	MATERIAL OR MODEL NUMBER	PART NUMBER	REQ'D NUMBER				
				J-1 K-0	K-1	K-2 L-0	L-1 M-0	M-1 and later
23	TEE	COPPER TUBE (A) - HIGH SIDE 374037G01	420041-02	2	2	2	2	2
24	PRESSURE SWITCH		P05220-04	1	1	1	1	1
25	COPPER TUBE (B1) - HIGH SIDE	COPPER TUBE (B) - HIGH SIDE 260206G01	260206M01	1	1	1	1	1
26	TEE	COPPER TUBE (B) - HIGH SIDE 258739G01,260206G01	420041-11	1	1	1	1	1
27	COPPER TUBE (B2) - HIGH SIDE	COPPER TUBE (B) - HIGH SIDE 260206G01	260206M01	1	1	1	1	1
28	DRIER		P02070-01	1	1	1	-	-
			P05348-01	-	-	-	1	1
29	PUSH MOUNT TIE		436156-02	1	1	1	1	1
30	COPPER TUBE (D1) - HIGH SIDE	COPPER TUBE (D) - HIGH SIDE 374039G01	374039M01	1	1	1	1	1
31	STRAINER	COPPER TUBE (D) - HIGH SIDE 374039G01	P00812-01	1	1	1	1	1
32	ACCESS VALVE		457729-01	1	1	1	1	1
33	VALVE BODY		4A3978-01	1	1	1	1	1
34	COIL-VALVE		P00810-01	1	1	1	-	-
	HOT GAS VALVE COIL-HARNESS		3C0335G01	-	-	-	1	1
35	BOLT		P00811-01	1	1	1	1	1
36	TRUSS HEAD SCREW	F134-C111,F134-C121 F134-C141,F134-C171 F134-C271	FST0408S0	2	2	2	2	2
		F134-C101	FST0408S0	2	2	4	8	8
		F134-D111,F134-D121 F134-D141,F134-D171 F134-D173,F134-D174 F134-D271	FST0408S0	-	-	9	8	8
37	COPPER TUBE (E1) - HOT GAS	COPPER TUBE (E) - HOT GAS 371883G01	371878M01	1	1	1	1	1
38	COPPER TUBE (E2) - HOT GAS	COPPER TUBE (E) - HOT GAS 371883G01	371880M01	1	1	1	1	1

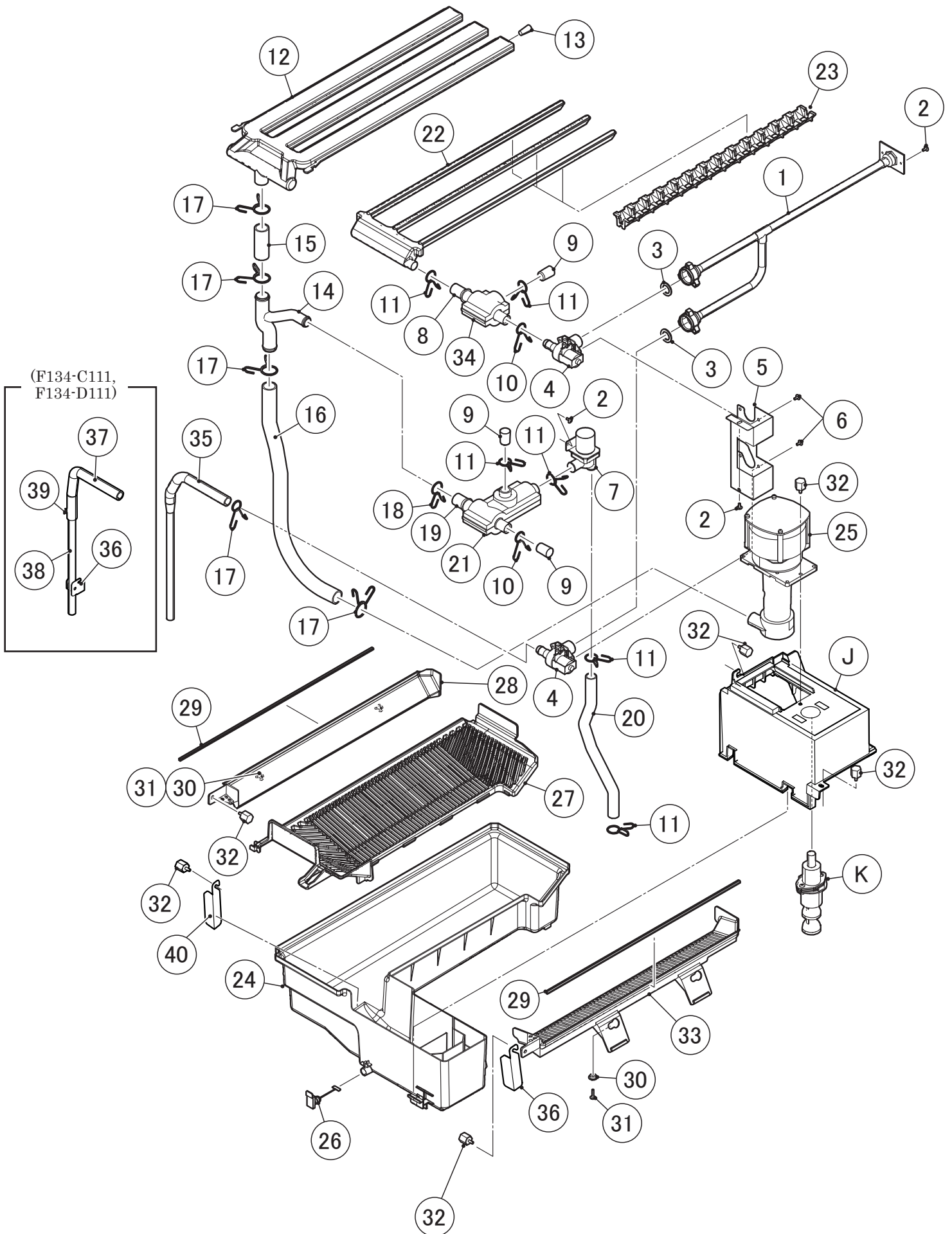
MODEL: **KMD-270AB**TITLE: **B. REFRIGERATION CIRCUIT**

INDEX NO.	DESCRIPTION	MATERIAL OR MODEL NUMBER	PART NUMBER	REQ'D NUMBER				
				J-1 K-0	K-1	K-2 L-0	L-1 M-0	M-1 and later
39	TEE	COPPER TUBE (E) - HOT GAS 371883G01	420335-01	1	1	1	1	1
40	INSULATION TUBE	COPPER TUBE (E) - HOT GAS 371883G01 7762-1030 L=290	H71030290	1	1	1	1	1
41	INSULATION TUBE	COPPER TUBE (E) - HOT GAS 371883G01 7762-1020 L=360	H71020360	1	1	1	1	1
42	EXPANSION VALVE		4A1414-02	1	1	1	1	1
43	EXPANSION VALVE COVER		3A0944-01	1	1	1	1	1
44	HEAT EXCHANGER		258736G01	1	1	1	1	1
45	THERMISTOR		P00027-01	1	1	1	1	1
46	HOLDER - THERMISTOR		427430-01	1	1	1	1	1
47	HOLDER - EXP. VALVE 3/8		3C0058M01	1	1	1	1	1
48	CLAMP		443461-02	1	1	1	1	1
49	COPPER TUBE (F1) - ACCESS VALVE	COPPER TUBE (F) - ACCESS VALVE 374038G01	374038M01	1	1	1	1	1
50	TEE 6.4	COPPER TUBE (F) - ACCESS VALVE 374038G01	417394-01	1	1	1	1	1
51	COPPER TUBE (F2) - ACCESS VALVE	COPPER TUBE (F) - ACCESS VALVE 371877G01	374038M02	1	1	1	1	1
52	ELBOW		417395-03	1	1	1	1	1
53	T2 TRUSS HEAD SCREW	F134-C111,F134-C121 F134-C141,F134-C171 F134-C271	FT20408M0	6	6	6	6	2
		F134-C111,F134-C121 F134-C141,F134-C171 F134-C271	FT20416M0	-	-	-	-	4
		F134-C101	FT20416M0	6	6	4	4	4
		F134-D111,F134-D121 F134-D141,F134-D171 F134-D173,F134-D174 F134-D271	FT20416M0	-	-	4	4	4
54	RUBBER INSULATION (B)		3C0066R01	1	1	1	1	1
55	RUBBER INSULATION (A)		3C0067R01	1	1	1	1	1
56	INSULATION HOLDER		473043M01	1	1	1	1	1
57	INSULATION - THERMISTOR (A)		439368-01	1	1	1	1	1
58	INSULATION - THERMISTOR (B)		439368-02	1	1	1	1	1

MODEL: **KMD-270AB**

TITLE: **B. REFRIGERATION CIRCUIT**

INDEX NO.	DESCRIPTION	MATERIAL OR MODEL NUMBER	PART NUMBER	REQ'D NUMBER				
				J-1 K-0	K-1	K-2 L-0	L-1 M-0	M-1 and later
59	INSULATION TUBE		H71020280	1	1	1	1	1
60	INSULATION TUBE		H71020090	1	1	1	1	1
61	NYLON TIE		7920-0010	13	13	13	13	11
62	TIE		7920-0002	7	7	7	7	5
63	EVAPORATOR ASSY		273904G02	1	1	1	1	1
64	BAG		485815P01	1	1	1	1	1
65	TIE	CV-150	7920-0003	-	-	-	-	4
66	NYLON TIE	CV-250	7920-0011	-	-	-	-	-

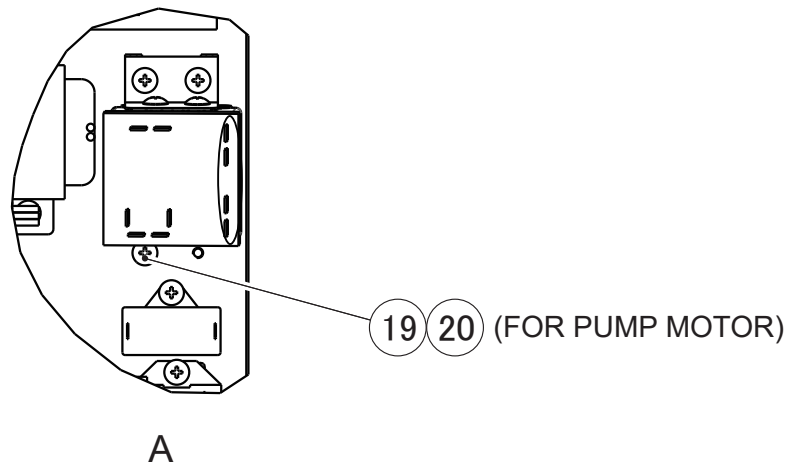
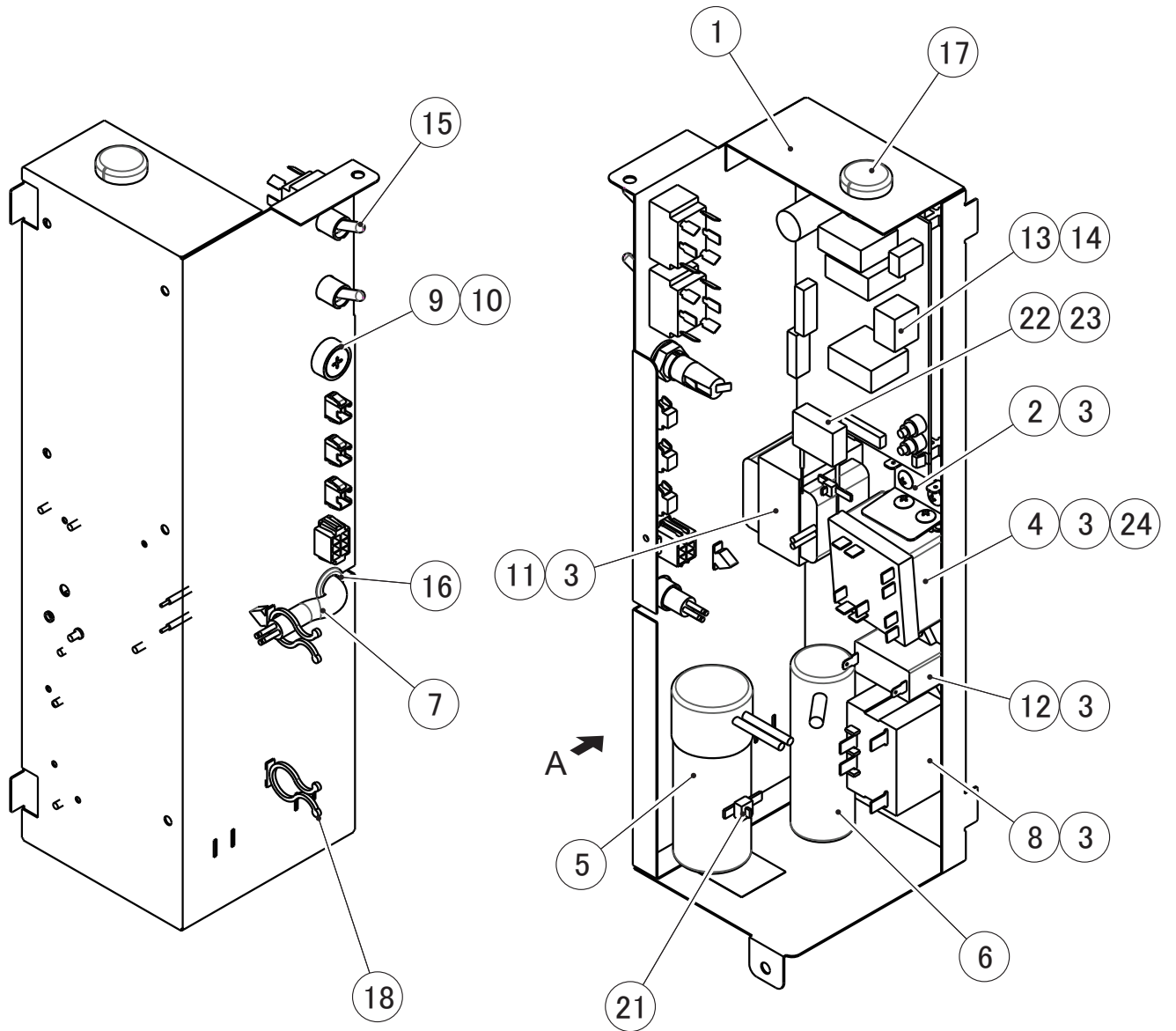


MODEL: **KMD-270AB**TITLE: **C. WATER CIRCUIT ASSY**

INDEX NO.	DESCRIPTION	MATERIAL OR MODEL NUMBER	PART NUMBER	REQ'D NUMBER			
				J-1 K-1	K-2 L-0	L-1 and later	
J	PUMP BRACKET ASSY		388856A01	1	1	-	
			388856A02	-	-	1	
K	FLOAT SWITCH ASSY		389075A02	1	1	1	
1	WATER SUPPLY PIPE		371882G02	1	1	1	
2	T2 SCREW	4X8	FT20408F0	5	5	5	
		F134-C101,	FT20408F0	5	3	3	
		F134-D111,F134-D121 F134-D141,F134-D171 F134-D173,F134-D174 F134-D271	FT20408F0	3	3	3	
3	RUBBER GASKET		413854-03	2	2	2	
4	WATER VALVE	F134-C111,F134-D111 F134-C141,F134-D141 F134-C171,F134-C271 F134-D171,F134-D271 F134-D173,F134-D174 F134-C101	P00805-01	2	2	2	
		F134-C121,F134-D121	P04934-01	2	2	2	
5	WATER VALVE BRACKET		371875G02	1	1	1	
6	TRUSS HEAD SCREW	4X8 SUS	FST0408S0	4	4	4	
		F134-C101	FST0408S0	4	6	6	
		F134-D111,F134-D121 F134-D141,F134-D171 F134-D173,F134-D174 F134-D271	FST0408S0	6	6	6	
7	SOLENOID VALVE	FDC-90-02-220	P00018-01	1	1	-	
	DRAIN VALVE (G)		3C0350G01	-	-	1	
8	TEE		371167R01	1	1	1	
9	PLUG		472567P01	3	3	3	
10	HOSE CLAMP	16.5mm SUS	P02909-04	2	2	2	
11	HOSE CLAMP	18mm SUS	P02909-05	7	6	6	
12	SPRAY TUBE		255256P01	1	1	1	
13	PLUG		4A0176-01	3	3	3	
14	CONNECTING PIPE		371162P01	1	1	1	
15	SILICONE HOSE	Φ20XΦ25(CLEAR) L=60	H12025060	1	1	1	
16	SILICONE HOSE	Φ20XΦ25(CLEAR) L=465	H12025465	1	1	1	

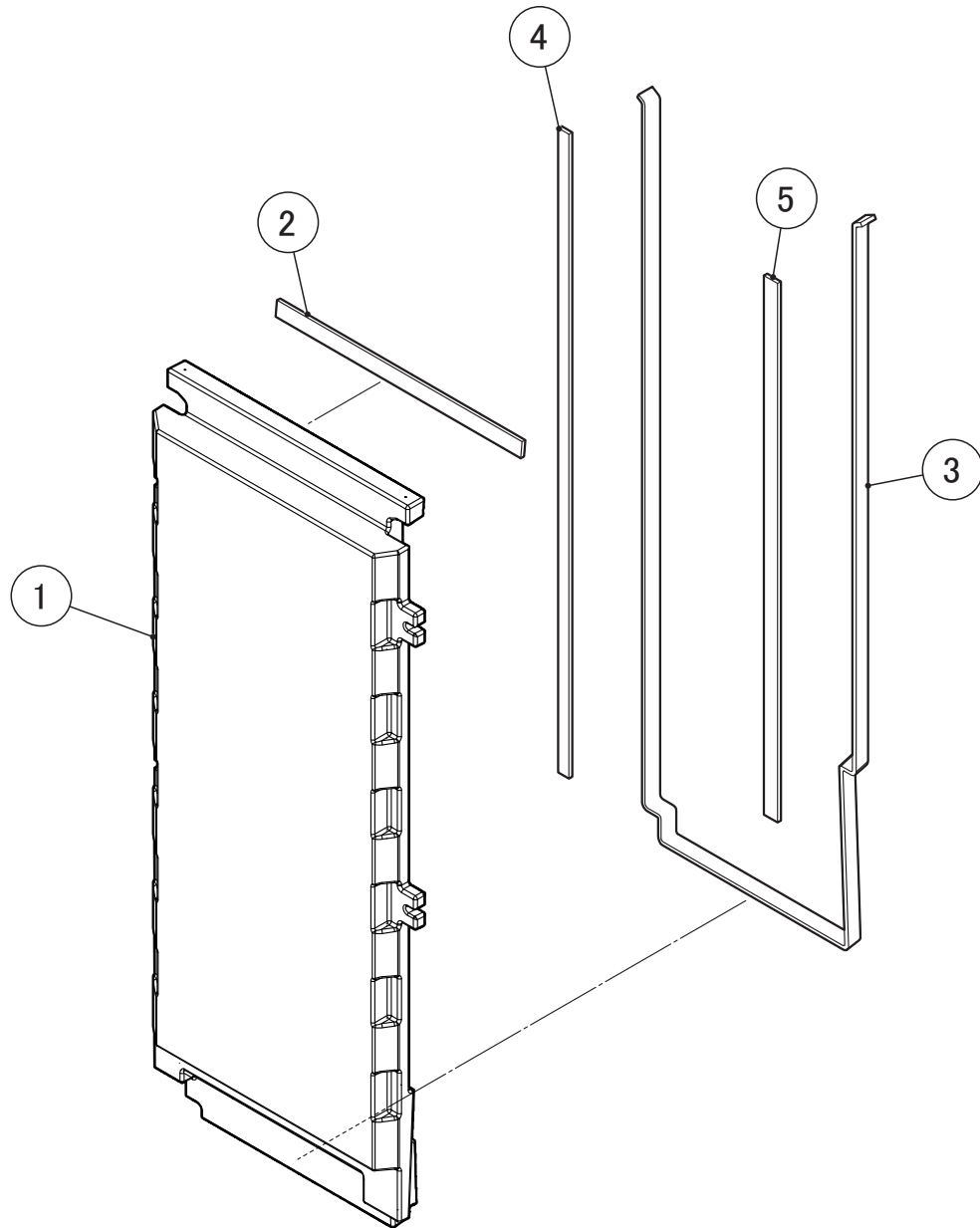
MODEL: **KMD-270AB**TITLE: **C. WATER CIRCUIT ASSY**

INDEX NO.	DESCRIPTION	MATERIAL OR MODEL NUMBER	PART NUMBER	REQ'D NUMBER			
				J-1 K-1	K-2 L-0	L-1 and later	
17	HOSE CLAMP	25mm SUS	C06092-01	4	4	4	
18	HOSE CLAMP	20mm SUS	P02909-06	1	2	2	
19	BYPASS HOSE		371165R01	1	1	1	
20	SILICONE HOSE	Φ15XΦ19(CLEAR) L=340	H11519340	1	1	1	
21	BYPASS INSULATION		371169Z01	1	1	1	
22	WATER SUPPLY TUBE		255255P01	1	1	1	
23	SPRAY GUIDE		252052P03	3	3	3	
24	WATER TANK		127337P02	1	1	1	
25	PUMP MOTOR		391580G01	1	1	1	
26	DRAIN CAP		371168G01	1	1	1	
27	CUBE GUIDE		118904P01	1	1	1	
28	DEFLECTOR (L)		255250P01	1	1	1	
29	GASKET		371166R01	2	2	2	
30	COLLAR		435269-01	4	4	4	
31	T2 SCREW	4X16 SUS	FT20416M0	4	4	4	
32	THUMBSCREW		415949G12	5	5	5	
33	DEFLECTOR (R)		258596P01	1	1	1	
34	INLET INSULATION		373079Z01	1	1	1	
35	WATER SUPPLY PIPE (B)	except F134-C111,F134-D111	484865P01	1	1	1	
36	PIPE HOLDER	F134-C111,F134-D111	475702M01	1	1	1	
37	WATER SUPPLY PIPE(B)	F134-C111,F134-D111	470307-01	1	1	1	
38	Water Supply Pipe (D)	F134-C111,F134-D111	484867M01	1	1	1	
39	TIE	F134-C111,F134-D111	7920-0002	1	1	1	
40	BARRIER - KMD	Except F134-C111,F134-D111	487742M01	-	-	1	



MODEL: **KMD-270AB**TITLE: **D. CONTROL BOX ASSY**

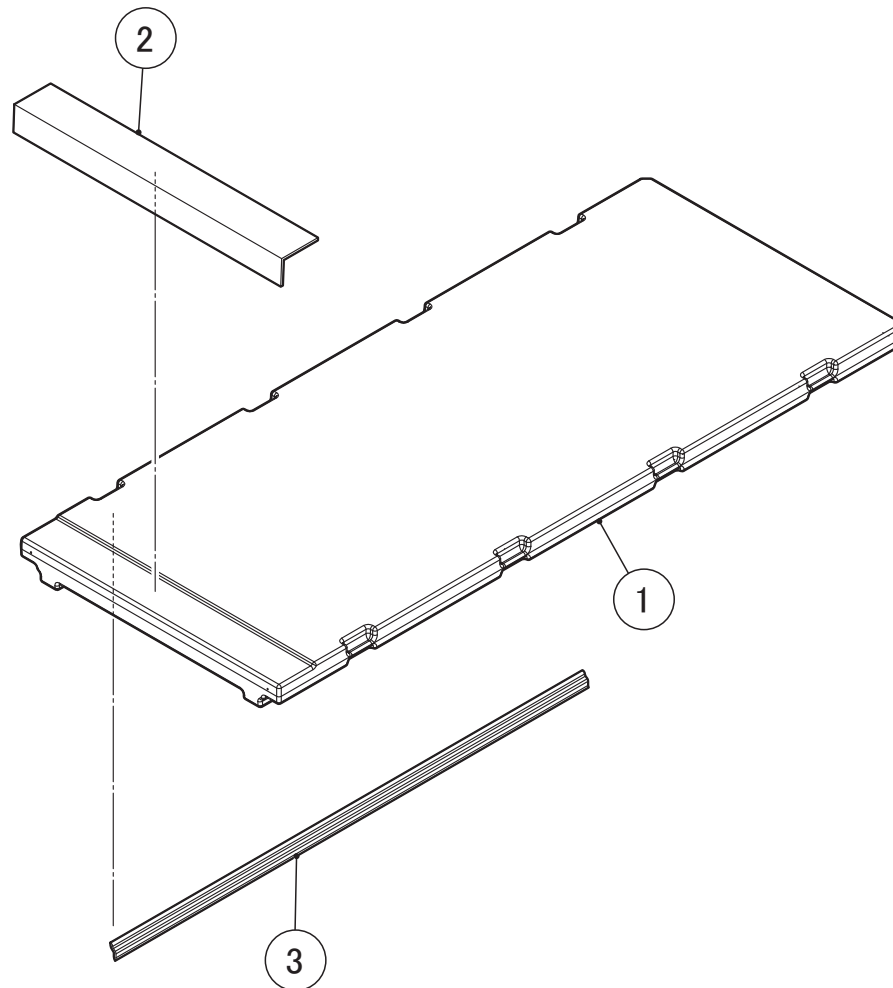
INDEX NO.	DESCRIPTION	MATERIAL OR MODEL NUMBER	PART NUMBER	REQ'D NUMBER			
				J-1 L-0	L-1 and later		
1	CONTROL BOX		274706M01	1	1		
2	BRACKET - STARTER		474966M01	1	1		
3	T2 SCREW		FT20408F0	9	9		
4	STARTING RELAY		P01826-01	1	1		
5	START CAPACITOR		P01827-01	1	1		
6	RUN CAPACITOR		P01828-01	1	1		
7	WIRE KIT		P01829-01	1	1		
8	POWER RELAY	G7L-1A-TUB	P00034-01	1	1		
		EXCEPT F134-C111,F134-C141 F134-D111,F134-D141	C06306-01	-	1		
9	FUSE HOLDER	BF115	P00014-01	1	1		
10	FUSE	125/250V 5A	P00015-01	1	1		
11	TRANSFORMER	DB48-26	P00012-01	1	1		
12	CAPACITOR	CMPS45B105UWF	P00850-01	1	1		
13	CONTROLLER BOARD	HKM2006V003	P01771-02	1	1		
14	BOARD SUPPORT	CBS-9K	P01770-01	4	4		
15	TOGGLE SWITCH		P05888-01	2	2		
		F134-C141,F134-D141	P01206-01	-	2		
16	BUSHING	OCB-625	428394-03	1	1		
17	BUSHING	SR-34-2	420472-05	1	1		
18	WIRE RETAINER		427902-05	2	2		
19	SPRING WASHER		FWSP04S0	1	1		
20	TRUSS HEAD SCREW		FST0408S0	1	1		
21	TIE	CV-200	7920-0010	1	1		
22	CAPACITOR	REB474	P00228-01	1	1		
23	TIE	CV-150	7920-0003	1	1		
24	TIE	CV-100	7920-0002	2	2		



MODEL: **KMD-270AB**

TITLE: **E. FRONT INSULATION ASSY**

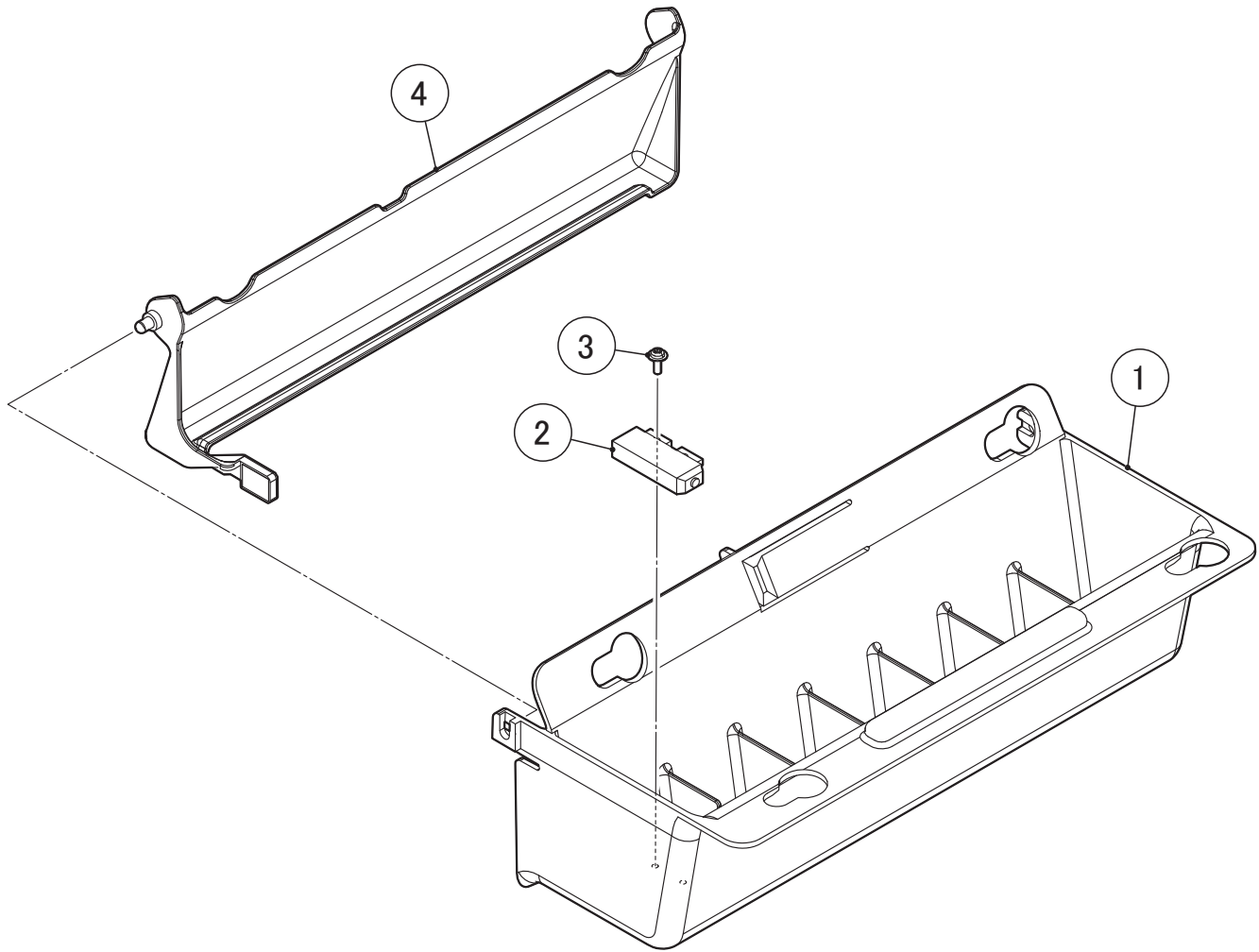
INDEX NO.	DESCRIPTION	MATERIAL OR MODEL NUMBER	PART NUMBER	REQ'D NUMBER			
				J-1 L-0	L-1 and later		
1	FRONT INSULATION		275773G01	1	1		
2	GASKET	L=228	388861Z06	1	1		
3	GASKET	L=1385	388861Z07	1	1		
4	GASKET	L=520	388861Z08	1	1		
5	GASKET	L=435	388861Z09	1	1		



MODEL: **KMD-270AB**

TITLE: **F. TOP INSULATION ASSY**

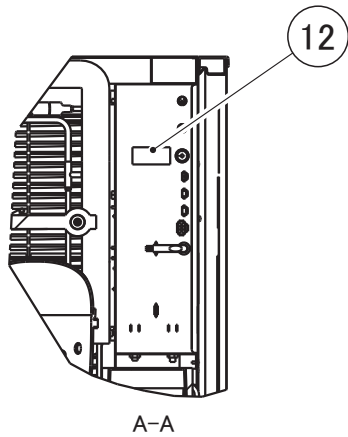
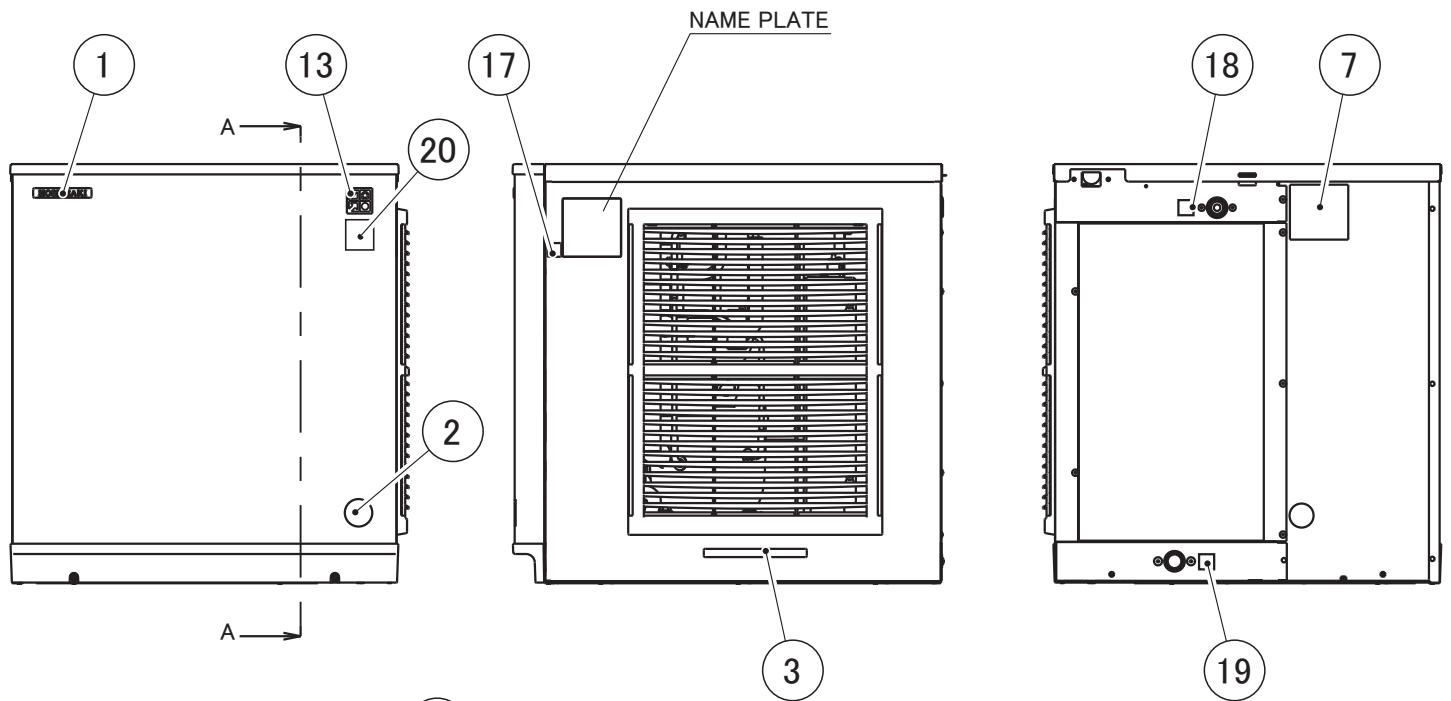
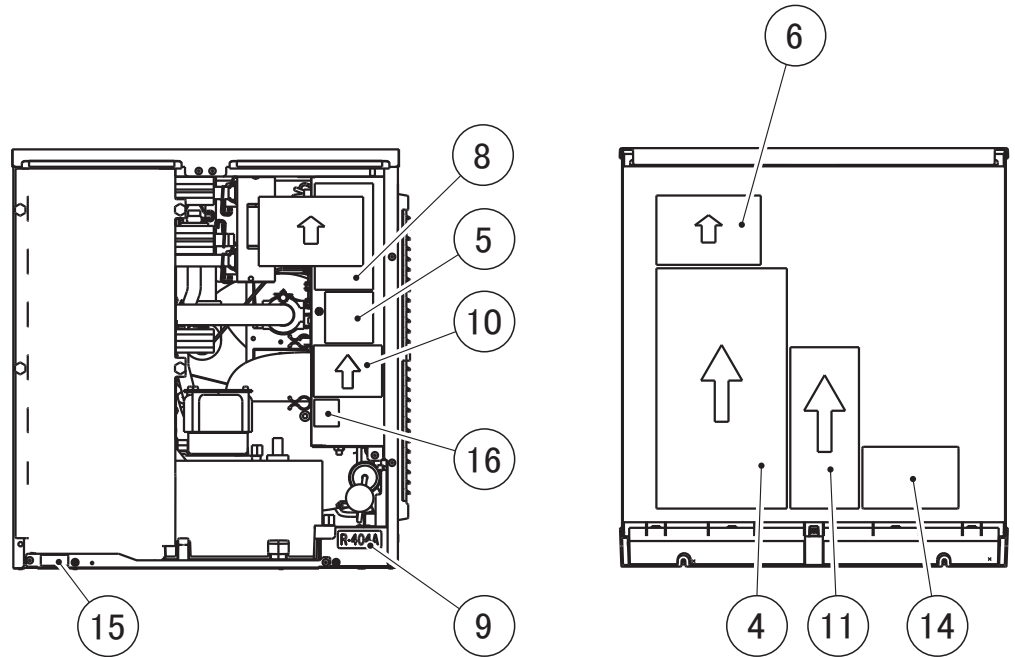
INDEX NO.	DESCRIPTION	MATERIAL OR MODEL NUMBER	PART NUMBER	REQ'D NUMBER			
				J-1 L-0	L-1 and later		
1	TOP INSULATION		255254G01	1	1		
2	INSULATION		473041Z01	1	1		
3	GASKET	L=415	374537Z04	1	1		



MODEL: **KMD-270AB**

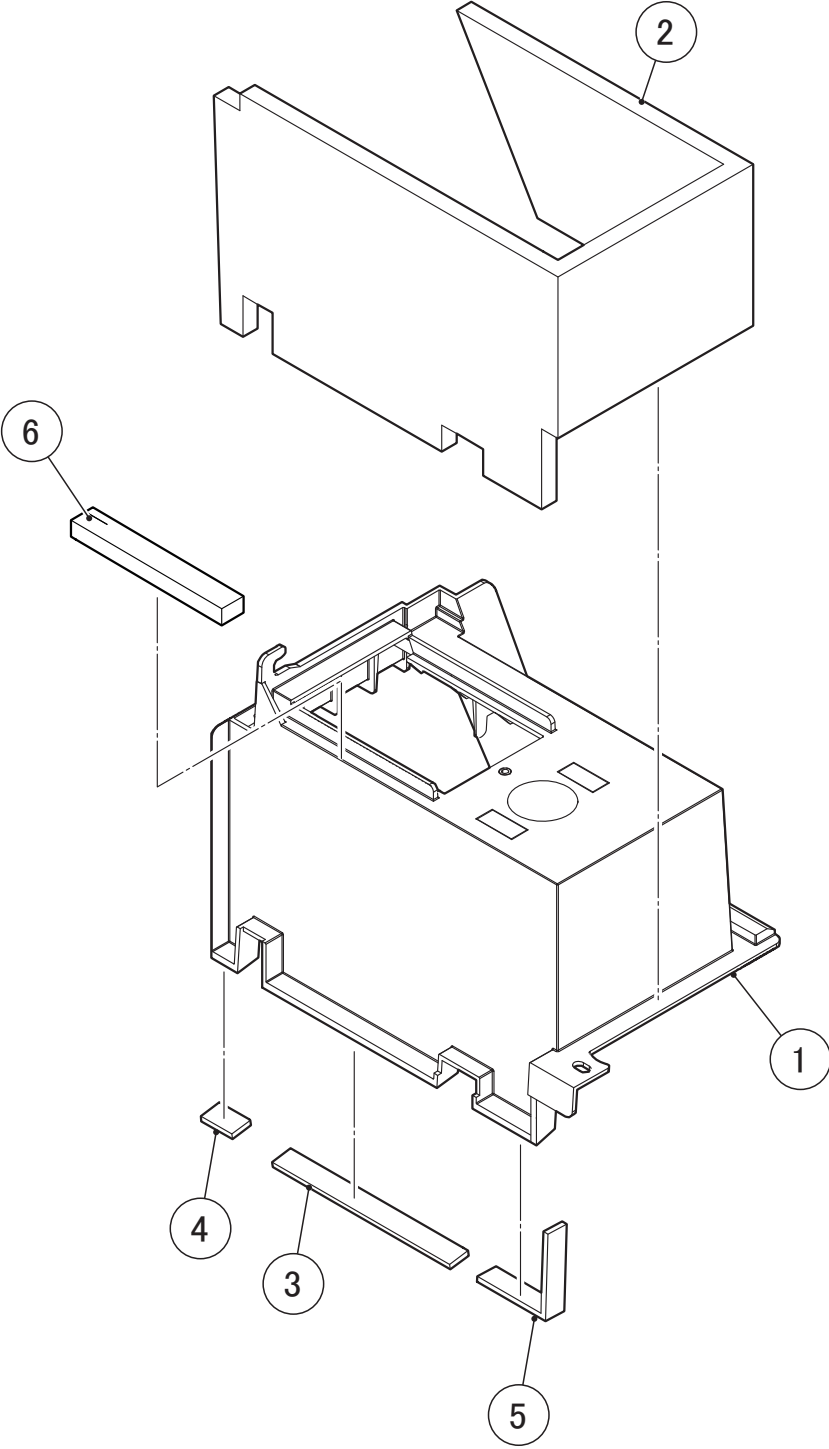
TITLE: **G. BIN SWITCH**

INDEX NO.	DESCRIPTION	MATERIAL OR MODEL NUMBER	PART NUMBER	REQ'D NUMBER			
				J-1 L-0	L-1 and later		
1	SWITCH HOUSING		255248P01	1	1		
2	REED SWITCH	PS-0074-601	453861-04	1	1		
3	TAPPING SCREW	3X8	431415-01	2	2		
4	DETECTOR		371158G01	1	1		



MODEL: **KMD-270AB**TITLE: **H. LABEL LOCATION**

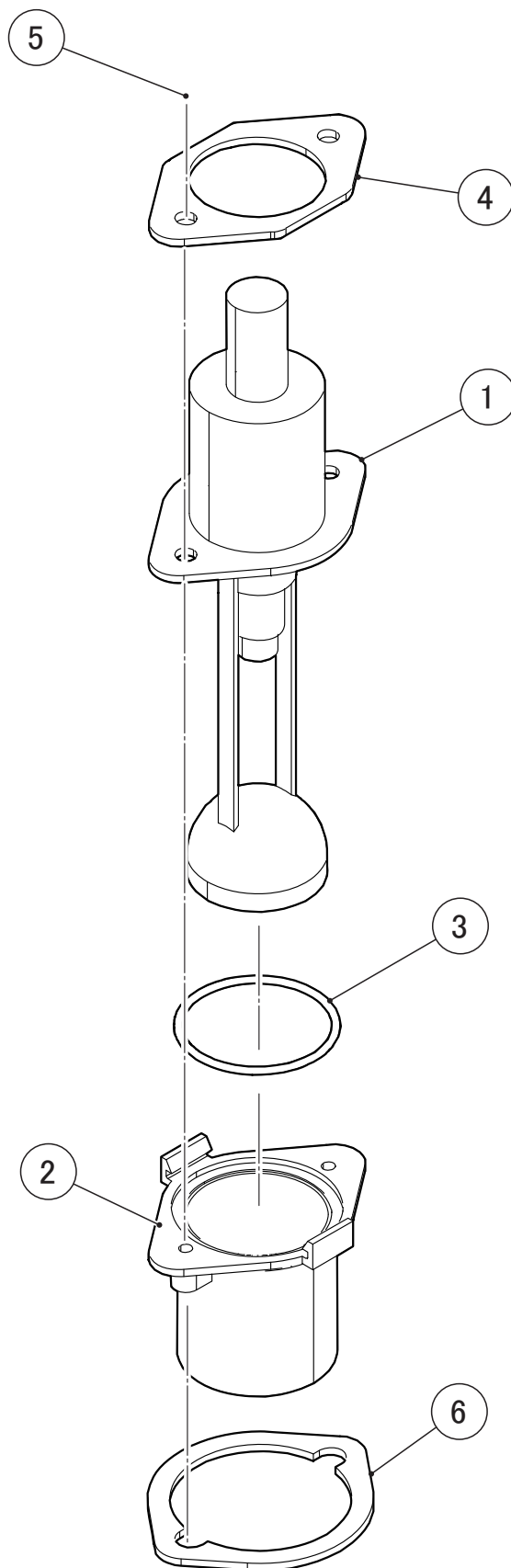
INDEX NO.	DESCRIPTION	MATERIAL OR MODEL NUMBER	PART NUMBER	REQ'D NUMBER			
				J-1 L-0	L-1 and later		
1	EMBLEM		456245-01	1	1		
2	LABEL - PENGUIN		468184-01	1	1		
3	LABEL - AIR FILTER		426177-01	1	1		
4	MAINTENANCE LABEL		276974L01	1	1		
5	CAUTION LABEL - SERVICE		471180L01	1	1		
6	WIRING LABEL		374048L01	1	1		
		F134-C101	472710L01	1	1		
7	INSTRUCTION LABEL		371379L01	1	1		
8	MANUAL LABEL		476519L01	1	1		
9	LABEL/R-404A		374048L01	1	1		
10	LABEL - ALARM		426177-01	1	1		
11	LABEL - CONTROL BOARD		370310L01	1	1		
12	LABEL - FUSE		374652L01	1	1		
13	LABEL - HACCP		472712L01	1	1		
14	LABEL - CYCLOPENTANE		381437L01	1	1		
			484959L01	1	1		
15	LABEL - FRONT FRAME		484959L01	1	1		
		F134-C101	485336L01	1	1		
16	CAUTION LABEL	F134-C101	473789L01	1	1		
17	LABEL-REGULATION A	F134-C101	482347L01	1	1		
18	LABEL - INLET	F134-C101	482403L03	1	1		
19	LABEL - OUTLET	F134-C101	482403L04	1	1		
20	LABEL-CFC AND HCFC FREE	F134-C271 F134-D271	482091L01	-	1		



MODEL: **KMD-270AB**

TITLE: **J. PUMP BRACKET ASSY**

INDEX NO.	DESCRIPTION	MATERIAL OR MODEL NUMBER	PART NUMBER	REQ'D NUMBER			
				J-1 L-0	L-1 and later		
1	PUMP BRACKET		127338G01	1	1		
2	PM BRACKET INSULATION		388191P01	1	1		
3	GASKET		388856Z04	1	1		
4	GASKET		388856Z05	1	1		
5	GASKET		388856Z06	1	1		
6	PUMP BRACKET INSULATION - B		485841P01	1	1		

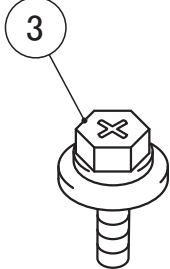
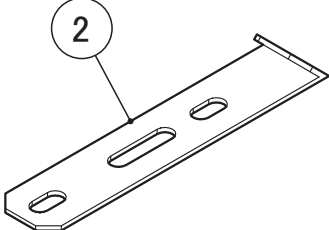
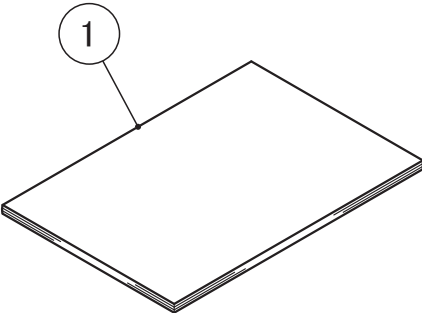


	No.4	No.6
Larger ice	2	0
Normal ice	1	1
Small ice	0	2

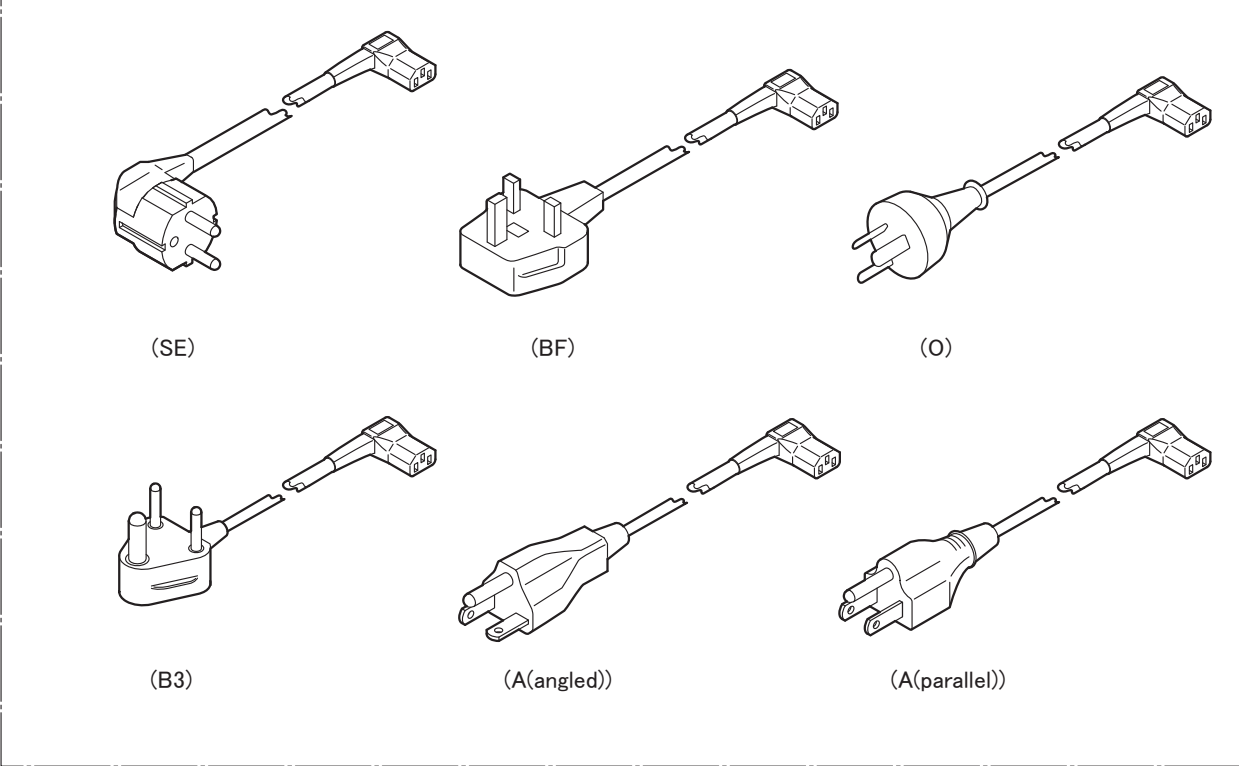
MODEL: **KMD-270AB**

TITLE: **K. FLOAT SWITCH ASSY**

INDEX NO.	DESCRIPTION	MATERIAL OR MODEL NUMBER	PART NUMBER	REQ'D NUMBER			
				J-1 L-0	L-1 and later		
1	FLOAT SWITCH		P00816-01	1	1		
2	BRACKET - FLOAT SWITCH		258597P01	1	1		
3	PACKING		474862R01	1	1		
4	SPACER(A)-FLOAT SW		485043P01	1	1		
5	TRUSS HEAD SCREW		FST0412S0	2	2		
6	SPACER(B)-FLOAT SW		485044P01	1	1		



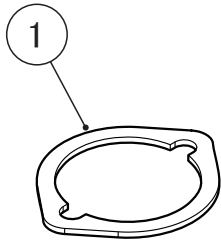
4



MODEL: **KMD-270AB**

TITLE: **L. ACCESSORIES**

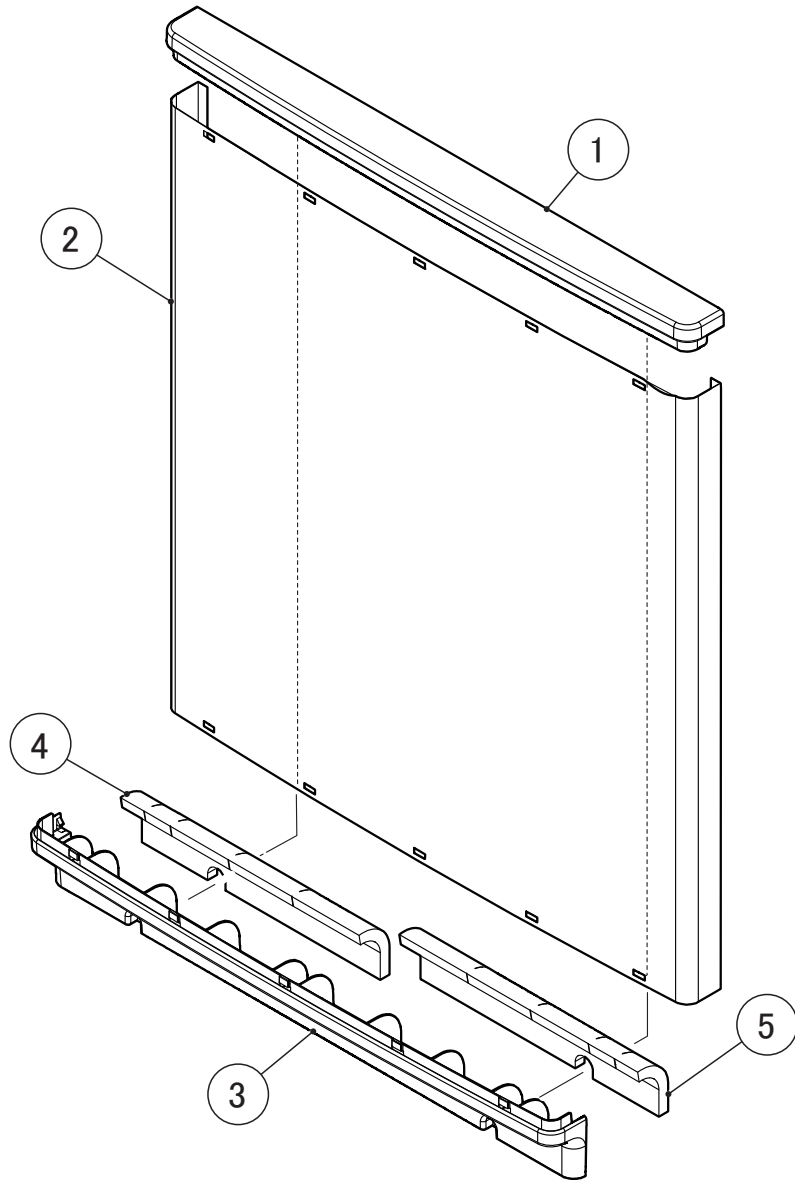
INDEX NO.	DESCRIPTION	MATERIAL OR MODEL NUMBER	PART NUMBER	REQ'D NUMBER			
				J-1 L-0	L-1 and later		
1	INSTRUCTION MANUAL		L1F132202	1	1		
		F134-C101	L1F132302	1	1		
		F134-C111,F134-D111	L1F132102	1	1		
2	UNIVERSAL BRACE		473048M01	2	2		
3	HEX HEAD BOLT W/WASHER [SW]	5X12 SUS	FBK0512S0	2	2		
4	POWER CORD	F134-C101	P01960-01	1	1		
		F134-C111,F134-D111	P02796-01	1	1		
		F134-C121,F134-D121 F134-C171,F134-D171	P02795-01	1	1		
		F134-C141,F134-D141 F134-C271,F134-D271	P02794-01	1	1		
		F134-D173	P03994-01	1	1		
		F134-D174	P04696-01	1	1		



MODEL: **KMD-270AB**

TITLE: **M. OPTIONAL PARTS**

INDEX NO.	DESCRIPTION	MATERIAL OR MODEL NUMBER	PART NUMBER	REQ'D NUMBER			
				J-1 L-0	L-1 and later		
1	SPACER(A)-FLOAT SW		485043P01	1	1		
2	SPACER(B)-FLOAT SW		485044P01	1	1		



MODEL: **KMD-270AB**

TITLE: **P. FRONT PANEL**

INDEX NO.	DESCRIPTION	MATERIAL OR MODEL NUMBER	PART NUMBER	REQ'D NUMBER			
				J-1 L-0	L-1 and later		
1	TOP FRAME		118906P01	1	1		
2	FRONT PANEL (A)		127776M01	1	1		
3	BOTTOM FRAME		118905P01	1	1		
4	FOAM SEAL (L)		374788Z01	1	1		
5	FOAM SEAL (R)		374789Z01	1	1		