



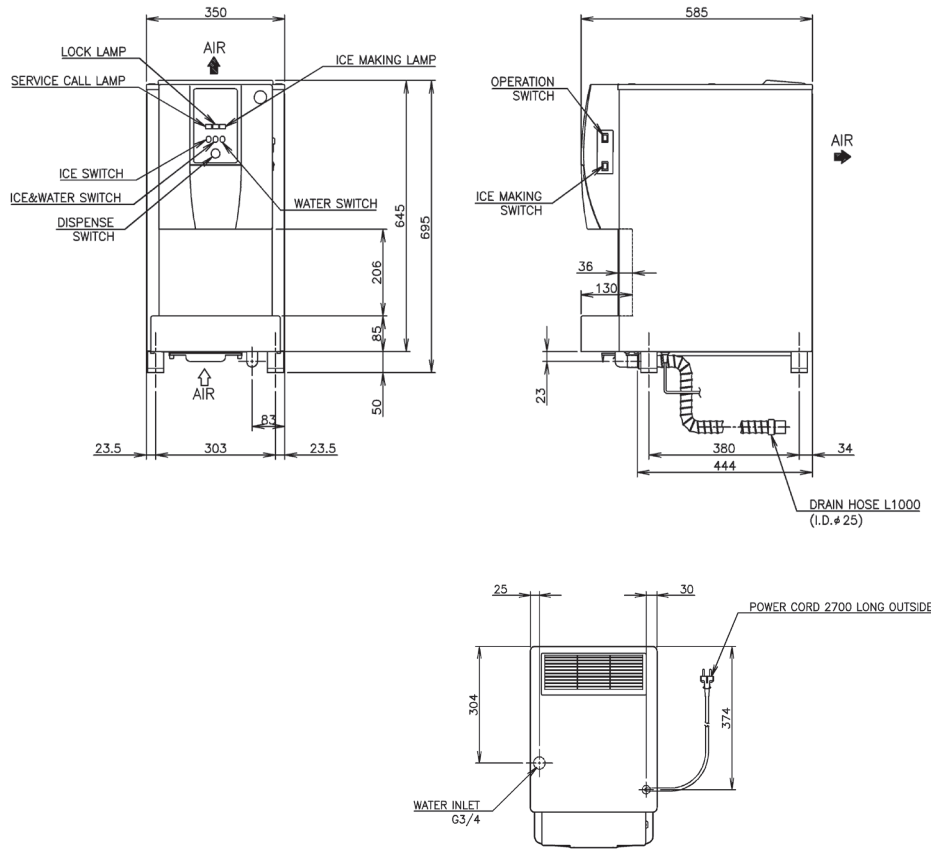
### PRODUCT FEATURES

- Premium Cubelet ice.
- Smooth ice dispense.
- No ice bridging.
- Robust and reliable.
- Sanitary self-service application.
- Easy operation - Push button; dispense ice directly in to container greatly reducing risk of contamination.
- Dispenses ice only, water only or ice and water.
- Adjustable portion-controlled dispensing.
- Due to auger system water consumption is equal to ice production.
- 2 year parts & labour on entire unit, 5 year (parts only) on compressor & air cooled condenser coil.

### SHAPE OF ICE:



### TECHNICAL DRAWING



### PRODUCT SPECIFICATION

<b>Production Capacity per 24hours</b>	Approx. 60kg @10°C Air temp; 10°C Water Approx. 50kg @ 21°C Air temp; 15°C Water Approx. 38kg @ 32°C Air temp; 21°C Water
<b>Max Storage Capacity</b>	Approx. 1.9kg
<b>Dimensions</b>	350mm (W) x 585mm (D) x 695mm (H)
<b>Cooling</b>	Air
<b>Weight Net/Gross (kg)</b>	47 / 56
<b>AC Supply Voltage</b>	1 PHASE 220 - 240V 50Hz /10AMP Plug
<b>Amperage</b>	Rated:1.5 A Starting: 9.5 A
<b>Refrigerant Charge</b>	R134a
<b>Operating Conditions</b>	Ambient Temp.: 5-40°C Water Supply Temp.: 5-35°C Water Supply Pressure: 0.07-0.8MPa Voltage Range: Rated Voltage ±6%



Descriptions and specifications are subject to change at any time, without notice. Illustrations for demonstration purposes.

Copyright © 2020 Hoshizaki Lancer Pty Ltd. All right reserved. E&OE Date: May 2020