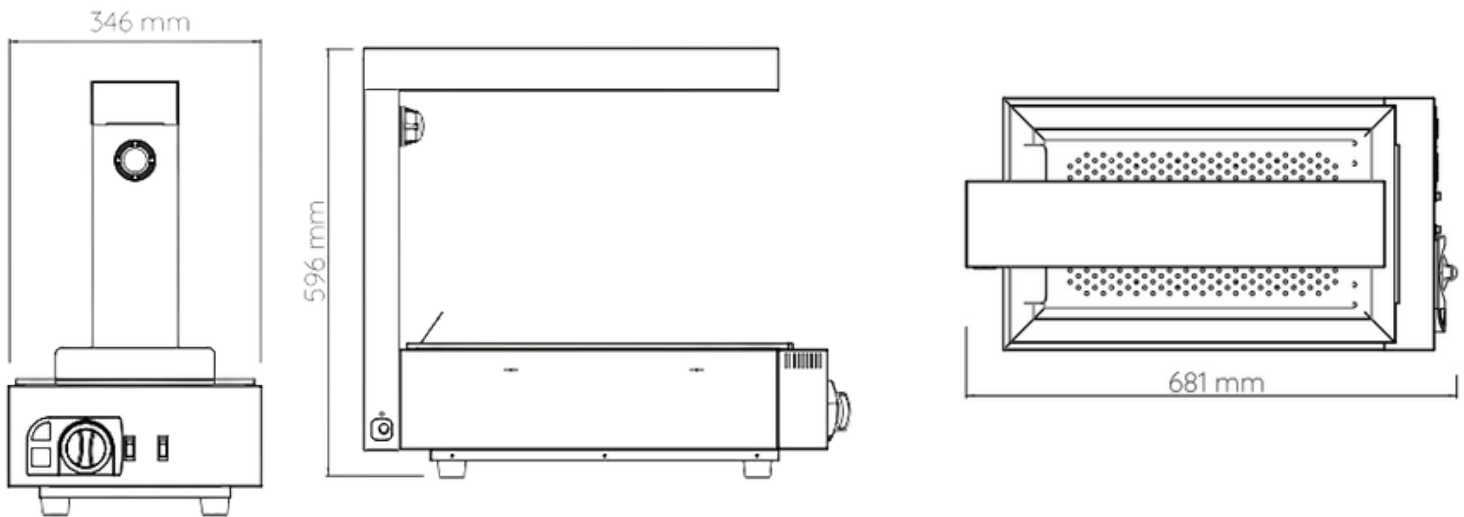


The Anvil logo features a red circle with a white stylized 'A' inside, followed by the word 'ANVIL' in a bold, white, sans-serif font on a black background.

MULTI-FUNCTION CHIP WARMER CDA1003



- Robust incoloy heating element provides even heating
- Lamp illuminates product for enhanced presentation
- Top and bottom heating
- Used for buffets, carveries and outside catering
- Retains cooked food's taste and appearance
- Can heat a wide variety of foods
- Supplied with a 1/1 GN pan and drip tray for use with chips



Specifications

Voltage: 240V

Power: 1.9kW

Size: 346 x 681 x 596mm

Weight: 16kg

Origin: South Africa

Warranty: 12 Months Warranty